

# CarAlarm

TIPO DI AUTOVETTURA E ANNO DI PRODUZIONE

SCHEDA NUMERO

**ALFA ROMEO 159 2006**

**1.26**

## LOCATION OF THE CAR ALARM CONTROL UNIT

**Compact control units and sirens:** place under the bonnet behind the headlamp on the driver's side.

**Modular control units and accessories:** place under the dashboard on the driver's side.

## CAR ALARM SUPPLY

**Positive:** Connect to the **Red (pos. n°7)** wire in the connector marked PM located at the back of the body computer under the dashboard on the driver's side.

**Negative:** Connect to the manufacturer's original setting.

## IMMOBILISER

**Starter Motor:** Cut the **Red/ Black** wire (**pos. n° 8**) in the Black/Purple 24-pin connector in the control unit for the steering wheel lock underneath the steering wheel on the driver's side.

**Fuel pump and Tdi versions:** Cut the **Purple/ Yellow** wire (**pos. n° 32**) in the Black 32-pin connector at the front of the body computer under the dashboard on the driver's side.

## ODOMETER

Connect to the **Orange / Blue (pos. n°7)** wire in the connector marked AV located at the front of the body computer under the dashboard on the driver's side (see fig. 1).

## POSITIVE IGNITION KEY (+15)

Insert the contact into pin 13 in the PM connector (see fig 1) at the back of the body computer.

## ARMING OF PASSIVE TYPE ALARM (Connection with alarm armed by vehicle's original remote control)

Follow the method of connections in **INSTALLATION FILE 1.26.1.**

## DIRECTION INDICATORS

Connect to the **Grey (pos. n°12), White (pos. n°3), White/Green (pos. n°2), Dark Blue/Red (pos. n°13) wires** in the connector marked LN at the front of the body computer (see. Fig 1).

Connect to the **Orange (pos. n°38)** and **Dark Blue (pos. 39)** wires in the connector marked AV located at the front of the body computer (see fig. 1)

Separate the lines with diodes.

## ONLY FOR H.P.B. ALARM

**Control of Blinker (negative control):** connect to the **Brown/Light Blue** wire (pos. n° 34) in the connector marked "PG" located at the back of the body computer.

**Feedback:** Connect to any branching point for the direction indicators (see connection of direction indicators).

## DOOR PROTECTION

Connect to the **Light Blue/Green (pos. n°8 Front left), White /Black (pos. n°25 Front right), Yellow /Dark Blue (pos. n°16 Rear left), White /Dark Blue (pos. n°26 Rear right )** wires in the connector marked LN at the front of the body computer (see. Fig 1).

Follow the method of connections in **INSTALLATION FILE 1.26.1.**

**For the HPA 780 us alarm, follow the fitting instructions provided in the product's box.**

## BONNET/BOOT PROTECTION

**Bonnet:** Fit the switch provided.

**Boot:** Connect to the **Dark Blue / Black** wire (**pos. n°36**) in the connector marked LN at the front of the body computer (see. Fig 1).

-----

# CarAlarm

TIPO DI AUTOVETTURA E ANNO DI PRODUZIONE

**ALFA ROMEO 159 2006**

SCHEDA NUMERO

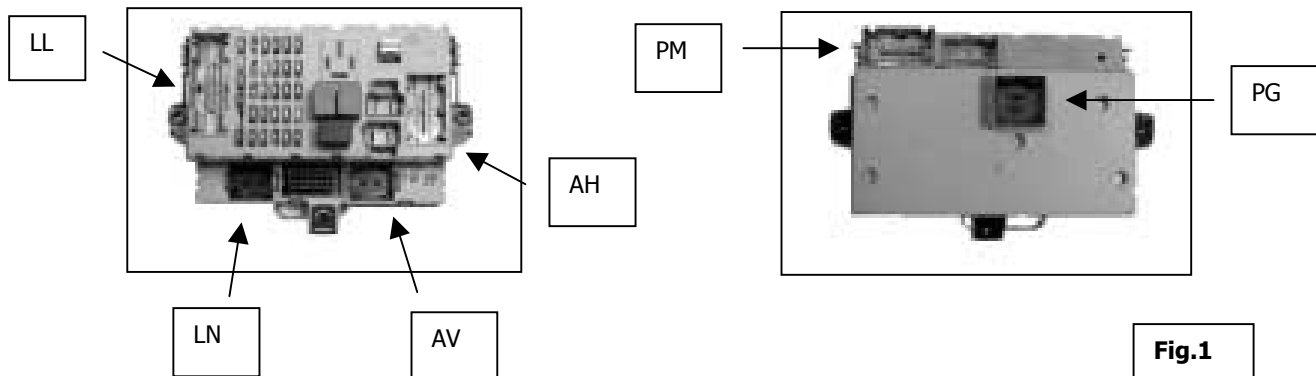
**1.26.1**

## METHOD OF INSTALLATION FOR HPB8

**After completing connections, set the HPB control unit for C type controls (see LINKING UP THE VEHICLE CAN in the fitting instructions for details of this procedure)**

Function	Colour of HPB8 wire	Colour of Vehicle Wire	Position on vehicle	
CAN H Line	Black/Red	Pink/Black	Pin 6	36-pin connector marked "PG" located at the back of the body computer
CAN L Line	Black/Purple	Pink/White	Pin 5	

### View of fuse box + body computer



**Fig.1**