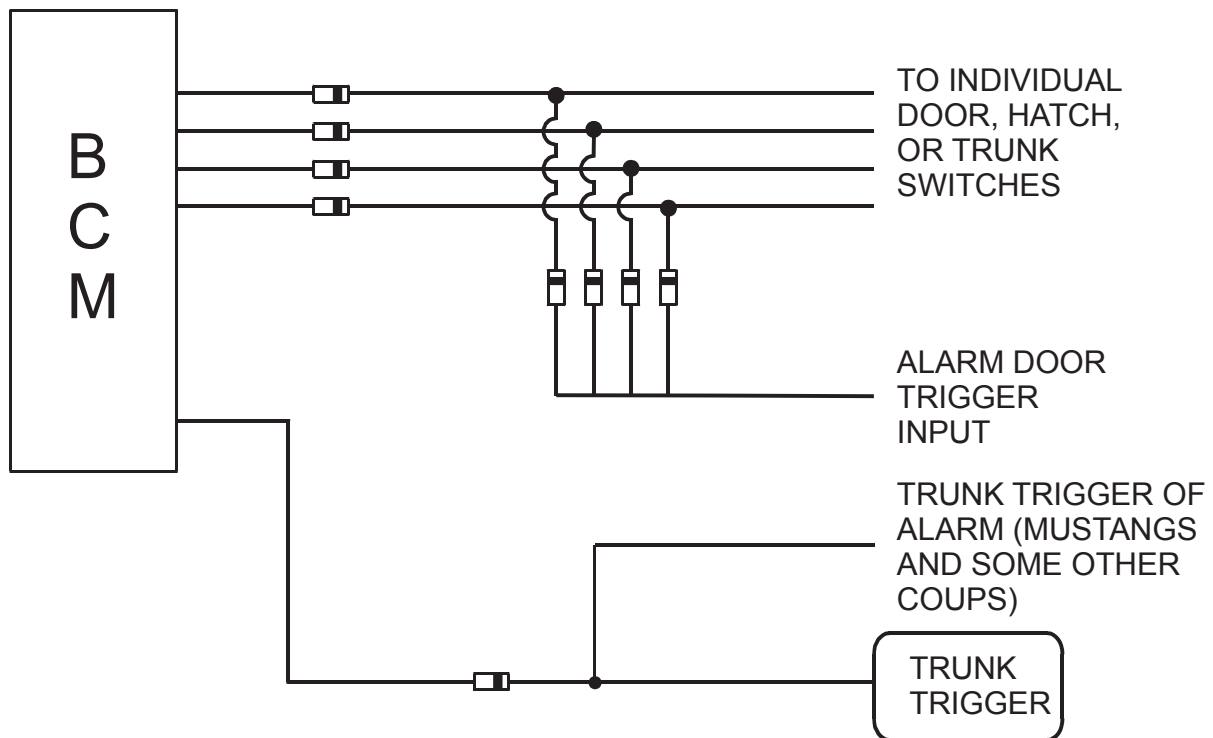


DOOR TRIGGER ISOLATION

The following diagrams apply to vehicles with Body Control Modules that shut down causing false triggers on the door and rear hatch/trunk inputs. Generally, when body control modules shut down to save power there is a change of state on the door trigger wires that aftermarket alarms see as a false trigger. Isolating the door switch wires using either diagram eliminates the false trigger. All diodes are rated at 1 Amp.



IMPORTANT! This wiring information is being provided free of charge on an "as is" basis, without any representation or warranty. It is the dealer's responsibility to verify any circuit before interfacing with it using a digital multi-meter. Directed Electronics Inc. assumes no responsibility with regards to the accuracy or currency of this information. Proper installation in every case remains the responsibility of the installer.

