

2019 Jeep Wrangler (Smart Key) - North America			
Item	Wire Color	Polarity	Wire Location
12 Volts	Violet/Red (40A)	+	BCM above passenger kick, gray 4 pin plug (B), pin 3
Second 12 Volts	Tan/Red (30A) (some models)	+	Electric Brake Module Connector above driver kick, gray 4 pin plug, pin 4
Ground	(chassis ground)		
Starter Kill	Yellow/Gray	+	Passenger Fender behind battery, black 34 pin plug, pin 8 (A/T); gray 2 pin plug, pin 1 (M/T)
Ignition Sense	Pink/White	+	BCM above passenger kick, black 48 pin plug (E), pin 27
PTS 1	Violet/Blue	+	Keyless Ignition Node (Start Stop Button), black 6 pin plug, pin 4
CAN Bus High	Tan (DIAG CAN)	Data	OBD-Data Link Connector, black 16 pin plug, pin 6
CAN Bus Low	Yellow (DIAG CAN)	Data	OBD-Data Link Connector, black 16 pin plug, pin 14
CAN Bus High 2	Tan/White (CAN C)	Data	Green CAN Junction Block behind glove box, white 3 pin plug, pin 1
CAN Bus Low 2	Yellow (CAN C)	Data	Green CAN Junction Block behind glove box, white 3 pin plug, pin 2
CAN Bus High 3	Orange (CAN IHS)	Data	White CAN Junction Block behind glove box, green 3 pin plug, pin 1
CAN Bus Low 3	White/Orange (CAN IHS)	Data	White CAN Junction Block behind glove box, green 3 pin plug, pin 2
OBD 12 Volts	Gray/Red (10A)	+	OBD-Data Link Connector, black 16 pin plug, pin 16
OBD Ground	Black	-	OBD-Data Link Connector, black 16 pin plug, pin 4
IMMO Data	White/Green	Data	Keyless Ignition Node (Start Stop Button), black 6 pin plug, pin 5
Security Light	Violet/Gray		BCM above passenger kick, blue-black 24 pin plug (G), pin 22
Power Lock	Violet/Dk. Green	- 330 Ohms	Driver Kick, door harness, black 30 pin plug, pin 5 --or-- BCM above passenger kick, white 48 pin plug (F), pin 15
Power Unlock	(same as power lock)	- 100 Ohms	
Lock Motor	Green/DK. Green	Reverse	Driver Kick, door harness, black 30 pin plug, pin 26 --or-- BCM above passenger kick, white 48 pin plug (F), pin 2
Driver Unlock Motor	Tan/Green	Reverse	Driver Kick, door harness, black 30 pin plug, pin 27 --or-- BCM above passenger kick, white 48 pin plug (F), pin 1
Passenger Unlock Motor	Violet/Green	Reverse	BCM above passenger kick, white 48 pin plug (F), pin 3
Factory Alarm Arm	(arms on lock with door open)		
Factory Alarm Disarm	(proximity key and push button)		
Parking Lights	White/Brown (LF); White/Orange (RF)	+	BCM above passenger kick, black 24 pin plug (A), pin 4 (LF); white 24 pin plug (D), pin 3 (RF)
Parking Lights 2	White/Gray (LR); White/Orange (RR)	+	BCM above passenger kick, white 48 pin plug (F), pin 32 (LR); black 48 pin plug (E), pin 4 (RR)
Parking Lights -	White/Brown (see Tech Doc 1082)	- 1130 Ohms	Headlight Switch, black 10 pin plug, pin 1
Parking Lights MUX	White/Brown	MUX	Headlight Switch, black 10 pin plug, pin 1
Hazards	White/Dk. Blue	-	Hazard Switch, black 8 pin plug, pin 8 --or-- BCM above passenger kick, blue-black 24 pin plug (G), pin 21
Turn Signal (Left)	White/Green (LF); White/Dk. Green (LR)	+	BCM above passenger kick, white 24 pin plug (D), pin 14 (LF); black 48 pin plug (E), pin 3 (LR)
Turn Signal (Right)	White/Tan (RF); White/Yellow (RR)	+	BCM above passenger kick, black 24 pin plug (A), pin 13 (RF); white 48 pin plug (F), pin 42 (RR)
Headlight	White/Brown	- 660 Ohms	Headlight Switch, black 10 pin plug, pin 1
AutoLights	White/Brown	- 2000 Ohms (Off)	Headlight Switch, black 10 pin plug, pin 1

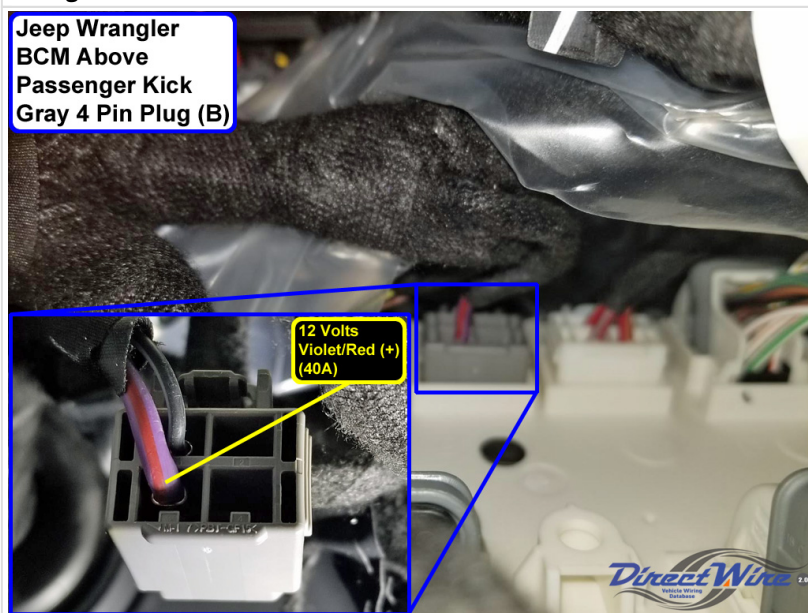
2019 Jeep Wrangler (Smart Key) - North America			
Item	Wire Color	Polarity	Wire Location
Reverse Light	White/Tan	+	BCM above passenger kick, white 48 pin plug (F), pin 41
Left Front Door Trigger	Violet	-	Driver Kick, door harness, black 30 pin plug, pin 18 --or-- BCM above passenger kick, white 48 pin plug (F), pin 9
Right Front Door Trigger	Violet/White	-	BCM above passenger kick, blue-black 24 pin plug (G), pin 18
Left Rear Door Trigger	Violet/Gray	-	BCM above passenger kick, white 48 pin plug (F), pin 23
Right Rear Door Trigger	Violet/Yellow	-	BCM above passenger kick, black 48 pin plug (E), pin 5
Dome Light	Yellow/Violet	+	BCM above passenger kick, blue-black 24 pin plug (G), pin 14
Trunk/Hatch Pin	Violet/Orange	-	BCM above passenger kick, white 48 pin plug (F), pin 26
Hood Pin	Violet/Blue	-	BCM above passenger kick, black 24 pin plug (A), pin 11
Trunk Release Motor	Green/White (swing gate unlock)	Reverse	BCM above passenger kick, white 48 pin plug (F), pin 33
Tachometer	Dk. Blue/Gray or Dk. Blue (3.6L)	AC	Camshaft Position Sensor, engine passenger or driver side rear, black 4 pin plug, pin 4
Tachometer 2	Dk. Blue/Brown or Dk. Blue/Gray (2.0L)	AC	Camshaft Position Sensor, engine passenger or driver side rear, brown 3 pin plug, pin 3
Clutch Pedal	Dk. Green/Yellow	-	Clutch Switch, black 3 pin plug, pin 2 --or-- Near BCM, black 59 pin plug, pin 50
Fuel Pump	Dk. Blue/Orange	+	Passenger Fender in front of battery, black 34 pin plug, pin 14
Rear Defroster	Dk. Blue	+ Latched	Passenger Kick, gray 34 pin plug, pin 11
Mirror Defroster	(same as rear defroster)		
Left Front Heated Seat	(CAN IHS)		
Right Front Heated Seat	(CAN IHS)		
Heated Steering Wheel	(CAN IHS)		
Speed Sense	Dk. Green/Green	AC	Passenger Kick, black 34 pin plug, pin 27
Brake Wire	Dk. Green/White	+	BCM above passenger kick, white 24 pin plug (D), pin 18
Parking Brake	Dk. Green/White	-	BCM above passenger kick, black 48 pin plug (E), pin 11
Horn Trigger	Dk. Green/Violet	-	Driver Kick, gray 34 pin plug, pin 10 --or-- BCM above passenger kick, white 48 pin plug (F), pin 29
Wipers	Brown/Blue	+	BCM above passenger kick, black 24 pin plug (A), pin 12
Left Front Window (Up/Down)	Orange/Green - Orange/White	A	Front Window Switch, black 14 pin plug, pins 14 - 13
Right Front Window (Up/Down)	Orange/Brown - Orange/Violet	A	Front Window Switch, black 14 pin plug, pins 7 - 3
Left Rear Window (Up/Down)	Tan/Yellow - Tan/Blue	A	Rear Window Switch, black 10 pin plug, pins 10 - 8
Right Rear Window (Up/Down)	Orange/Brown - Orange/Violet	A	Rear Window Switch, black 10 pin plug, pins 2 - 3
Sun Roof (Open/Close)	Orange/Green - Orange/Violet (function with ignition on only)	-	Driver Kick, gray 34 pin plug, pins 12 - 11
Radio 12V	Red/Yellow	+	Radio, black 52 pin plug, pin 44
Radio Ground	Black	-	Radio, black 52 pin plug, pin 43

2019 Jeep Wrangler (Smart Key) - North America			
Item	Wire Color	Polarity	Wire Location
Radio Ignition	Pink/Yellow (delayed accessory)	+	Cigar Lighter --or-- Front Window Switch, black 14 pin plug, pin 12
Factory Amp Turn-on	(CAN IHS)		
Left Front Speaker (+/-)	Gray/Violet - Gray/Yellow --or-- Dk. Green - Dk. Green/Brown	+,-	Radio, black 52 pin plug, pins 47 - 51
Right Front Speaker (+/-)	Dk. Green/Violet - Dk. Green/Yellow --or-- Gray - Gray/Brown	+,-	Radio, black 52 pin plug, pins 46 - 50
Left Rear Speaker (+/-)	Gray/Green - Gray/Dk. Green --or-- Dk. Green/Dk. Blue - Dk. Green/Orange	+,-	Radio, black 52 pin plug, pins 48 - 52
Right Rear Speaker (+/-)	Dk. Green/Green - Dk. Green/Gray --or-- Gray/Dk. Blue - Gray/Orange	+,-	Radio, black 52 pin plug, pins 45 - 49
Left Front Speaker - With Amp	Gray/Violet - Gray/Yellow	+,-	Amplifier under driver dash, gray 10 pin plug, pins 4 - 9
Right Front Speaker - With Amp	Dk. Green/Violet - Dk. Green/Yellow	+,-	Amplifier under driver dash, gray 10 pin plug, pins 5 - 10
Left Front Tweeter - With Amp	Gray/Orange - Gray/Yellow	+,-	Amplifier under driver dash, gray 10 pin plug, pins 2 - 7
Right Front Tweeter - With Amp	Gray/Dk. Green - Gray/Green	+,-	Amplifier under driver dash, gray 10 pin plug, pins 3 - 8
Left Rear Speaker - With Amp	Gray/Green - Gray/Dk. Green	+,-	Amplifier under driver dash, gray 22 pin plug, pins 4 - 15
Right Rear Speaker - With Amp	Dk. Green/Green - Dk. Green/Gray	+,-	Amplifier under driver dash, gray 22 pin plug, pins 5 - 16
Left Rear Tweeter - With Amp	Dk. Green/Dk. Blue - Dk. Green/Tan	+,-	Amplifier under driver dash, gray 22 pin plug, pins 8 - 19
Right Rear Tweeter - With Amp	Gray/Dk. Blue - Gray/Tan	+,-	Amplifier under driver dash, gray 22 pin plug, pins 9 - 20
Subwoofer - With Amp	Gray/Brown - Dk. Green/Brown (coil 1); Gray/White - Dk. Green/White (coil 2)	+,-	Amplifier under driver dash, gray 22 pin plug, pins 6 - 17 (coil 1); pins 7 - 18 (coil 2)
Subwoofer - With Amp 2	Gray/Orange - Dk. Green/Orange (coil 3); Gray/Violet - Dk. Green/Violet (coil 4)	+,-	Amplifier under driver dash, gray 22 pin plug, pins 10 - 21 (coil 3); pins 11 - 22 (coil 4)
Aux. Audio Input Left (+/-)	Green/Tan - Green/Dk. Blue	+,-	Radio, black 52 pin plug, pins 16 - 7
Aux. Audio Input Right (+/-)	Green/Blue - Green/Dk. Blue	+,-	Radio, black 52 pin plug, pins 6 - 7
Rearview Camera Video	(coax cable - LVDS)		

Wiring Photo and Notes: 12 Volts

Wiring Photo and Notes: 12 Volts

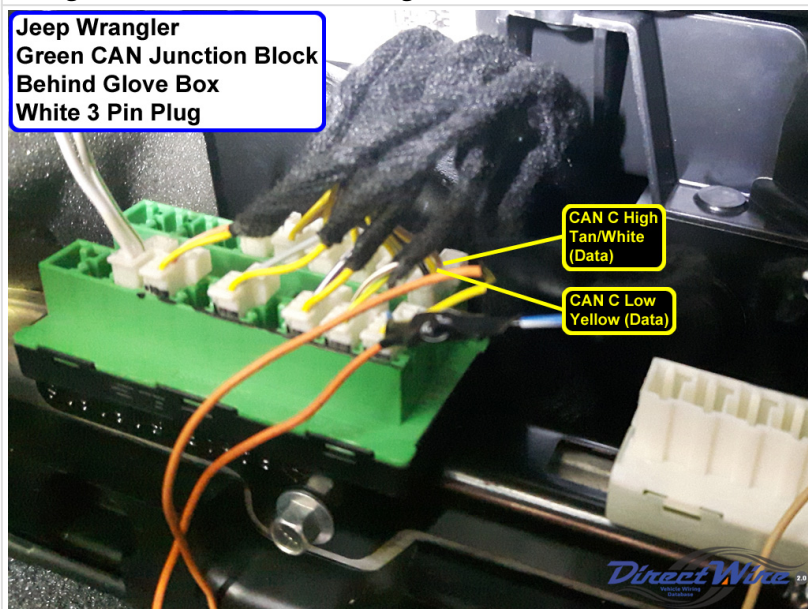
**Jeep Wrangler
BCM Above
Passenger Kick
Gray 4 Pin Plug (B)**



There are no notes for this wire.

Wiring Photo and Notes: CAN Bus High 2

**Jeep Wrangler
Green CAN Junction Block
Behind Glove Box
White 3 Pin Plug**

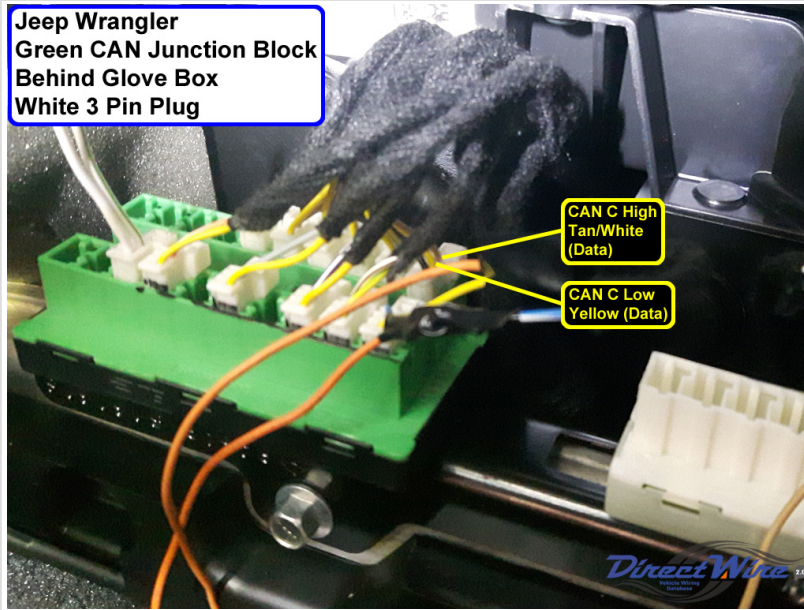


Can also use white/brown at the Security Gateway Module on back of driver dash speaker pod, black 12 pin plug, pin 5.

Wiring Photo and Notes: CAN Bus Low 2

Wiring Photo and Notes: CAN Bus Low 2

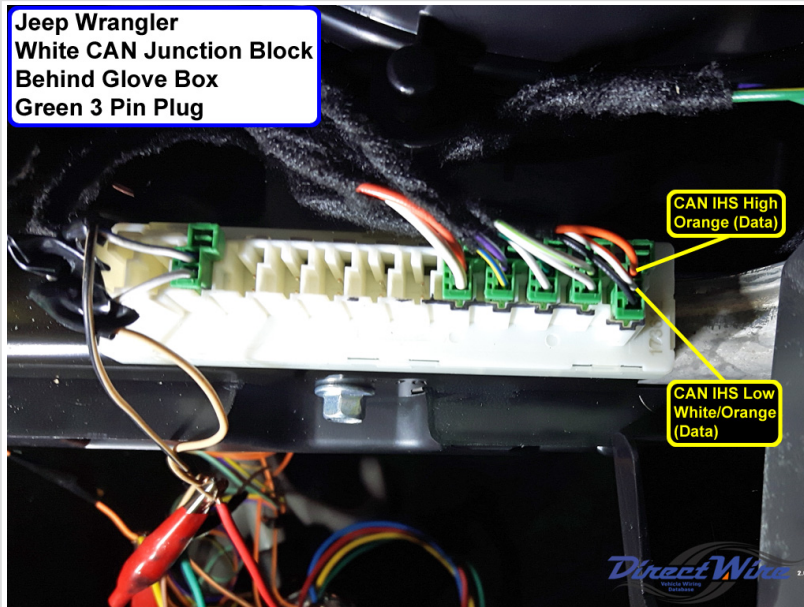
Jeep Wrangler
Green CAN Junction Block
Behind Glove Box
White 3 Pin Plug



Can also use yellow/green at the Security Gateway Module on back of driver dash speaker pod, black 12 pin plug, pin 12

Wiring Photo and Notes: CAN Bus High 3

Jeep Wrangler
White CAN Junction Block
Behind Glove Box
Green 3 Pin Plug

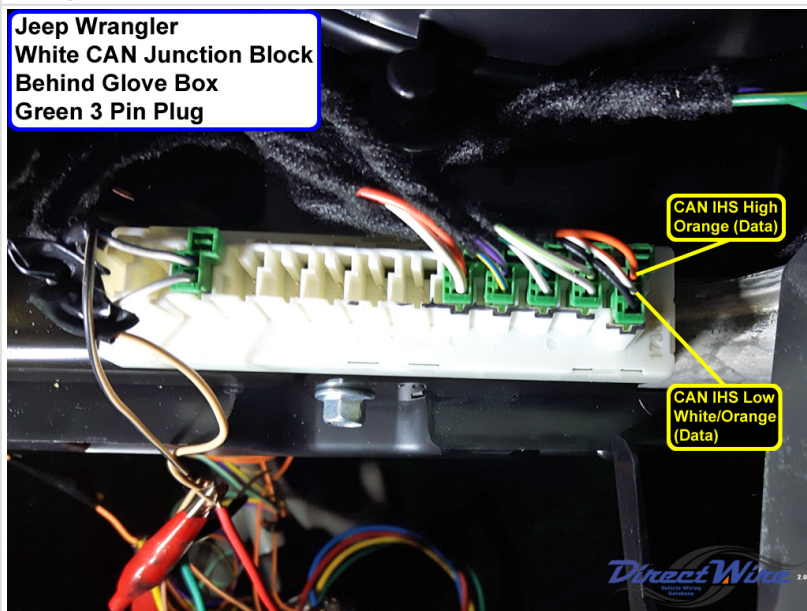


Can also use violet/white at the Security Gateway Module on back of driver dash speaker pod, black 8 pin plug, pin 3.

Wiring Photo and Notes: CAN Bus Low 3

Wiring Photo and Notes: CAN Bus Low 3

Jeep Wrangler
White CAN Junction Block
Behind Glove Box
Green 3 Pin Plug



Can also use yellow/dk. blue at the Security Gateway Module on back of driver dash speaker pod, black 8 pin plug, pin 8.

© 2018 Directed. All rights reserved.

DirectWire and its vehicle information are for the sole use of authorized Directed personnel and its participating dealers and distributors. The information contained on these pages may contain confidential and privileged information. Any unauthorized review, use, disclosure or distribution is prohibited.