

AMPIRE®

WFS300-BT

German Engineering. Out of the ordinary.



Bedienungsanleitung

Owner's Manual



Bitte lesen Sie die komplette Anleitung aufmerksam durch, bevor Sie mit der Installation beginnen.
Before attempting to connect or operate this product, please read the instructions completely.

Introduction

Congratulations! You have purchased the latest in high-end vehicle security. The WFS300-BT is a revolutionary immobiliser that is the first of its kind in the world. This immobiliser not only delivers incredibly high security but it also does this without the need for any unsightly key fobs or remotes. The WFS300-BT uses the myriad of buttons already in your vehicle to provide you with a secret PIN code without which not even a thief with a key could get away with your vehicle. Where other immobilisers and tracking systems can be found or jammed the WFS300-BT remains hidden and secure.

Terms and abbreviations

- PIN code – this is the unique sequence of button presses used to allow the vehicle to drive.
- Indication signal – this is the vehicle's internal light that will flash to indicate different operating states or information. This varies from vehicle to vehicle, your professionally trained installation team or vehicles sales consultant will tell you what your vehicles indication signal is. Most commonly the indication signal is the left and right turn indicators on the dash or a single warning lamp such as the check-engine or hand-brake warning lamp.
- Service button – a single button is defined for each vehicle that is used to put the vehicle into service/valet mode.

Hints and tips

Here are a few things that will be helpful in making sure your experience with the WFS300-BT is a pleasant one.

- For those vehicles that the WFS300-BT can stall the engine, it may be possible to start the engine before entering the PIN code. In this case your vehicle will either (1) not be able to move out of Park, (2) the engine will stall if the gear selector is moved from Park or, (3) the engine will stall if your vehicle moves backwards or forwards.
- The WFS300-BT automatically returns to the armed state after 3 seconds with your vehicle ignition off.
- On most vehicles it is not necessary to wait for the indication signal to flash twice after you have entered your PIN code before you can start your engine. Practice to see how quickly your vehicles WFS300-BT becomes disarmed to reduce the time spent before starting your engine.

Entering your PIN code

When you take delivery of your vehicle with an WFS300-BT installed, the professionally trained installation team will have set a default PIN code for you. This is generally simple and, for your security, should be changed as soon as possible after delivery.

To enter your PIN code follow these simple steps:

1. Switch on your vehicles ignition
2. Press each button in the PIN code sequence in the correct order. Whilst getting used to the process it is advantageous to do each press firmly and deliberately.
3. Wait until the indication signal flashes twice before starting your vehicle.

Changing your PIN code

There are 3 ways to enter Learn Mode:

1. On first installation: - This cannot be used after the unit has been securely hidden inside the vehicle and is only used by the installer to set the initial PIN code.
2. User PIN code change procedure:
 - a. Switch on your vehicle ignition.
 - b. Enter your current PIN code (DO NOT START THE ENGINE!).
 - c. Press and hold the accelerator pedal to the floor.
 - d. Enter your current PIN code again.
 - e. The WFS300-BT will now be in learn mode, the indication signal will flash every 3 seconds to confirm this. You may now release the accelerator pedal.
 - f. Do not switch ignition off before setting the new PIN code – See instruction on setting a new PIN once in learn mode.
3. Emergency code entry: - This is used if the PIN has been forgotten or a button is no longer working.
 - a. Locate your emergency 4-digit code. This is found on your WFS300-BT card, behind the scratch off security protection, or contact Ampire.
 - b. Switch on your vehicle ignition.
 - c. Press and hold the brake pedal
 - d. Press the accelerator pedal to the floor and release it again, repeated as per the digit of the emergency code.
 - e. Release the brake pedal.
 - f. Repeat b,c,d for the remaining 3 digits – see flow chart on the next page for an example for an emergency code of 1234.
 - g. The WFS300-BT will now be in learn mode, the signal indicators will flash every 3 seconds to confirm this.
 - h. Do not switch your vehicles ignition off before setting the new PIN code – See instruction on setting a new PIN once in learn mode.

Learning a new PIN code

Before learning your new PIN code, there are some important things to consider and remember.

- During the learn procedure, each press of a button in the PIN code must be no more than 2 seconds apart.
- Each press will be confirmed by a single flash of the Signal Indicator – on some vehicles this can be difficult to determine as the indication signal flash could be a predetermined length. If this is the case, do not worry, simply press the desired sequence.
- Your PIN code must be between 3 and 20 button presses long.
- All buttons can be repeated (exceptions to this will be pointed out to you by your professional installation team or sales assistant).
- Your service button cannot be used more than 4 times in a row in your PIN code.
- Do not write your PIN code down or share it with anyone other than those who are allowed to drive your vehicle.

Before you start the learn process, plan your PIN code so that there is no hesitation whilst trying to learn it into the WFS300-BT. Now that you have your new PIN code in mind let's program it in:

1. Your vehicle's ignition will be switched on following one of the 3 ways to enter learn mode as described above. This is confirmed by the indication signal flashing every 3 seconds)
2. Enter your new PIN code.
3. Wait for 3 flashes of the indication signal.
4. Enter the same new PIN code again.
5. Wait 2 seconds.
6. If the new PIN code has been correctly entered and accepted the indication signal will flash twice.
7. If the new PIN code was not correctly entered the indication signal will flash 4 times. The unit will again be in learn mode and you may attempt to learn the new PIN again.

Service / valet mode

Your WFS300-BT has a service / valet mode whereby the unit will not require the PIN code to be entered. This is used when the vehicle is being serviced or valet parked.

Note: This mode is not meant as a permanent override and will automatically exit when the vehicle exceeds a speed of 37 mph for a continuous period of 3 minutes.

To enter service / valet mode simply enter your PIN code as normal. Once the indication signal flashes twice press the service button 5 times. The indication signal will flash 5 times to confirm that your WFS300-BT is now in service / valet mode.

You can manually exit service / valet mode simply enter your PIN code at any time while the ignition is switched on.

Additional features

Besides the market leading high-security and ease of use, the WFS300-BT also has some vehicle specific features that can be enabled and disabled by a trained WFS300-BT engineer. Here is a list of features offered on some vehicles:

- Automatic locking (when over 6 mph)
- Automatic unlocking (when ignition turns off)
- Automatic window closure (via OE remote)
- Automatic sunroof closure (via OE remote)
- Automatic window open (via OE remote)
- Mirror folding on lock
- Anti-highjack
- Side mirror dip with reverse

Installation Instructions

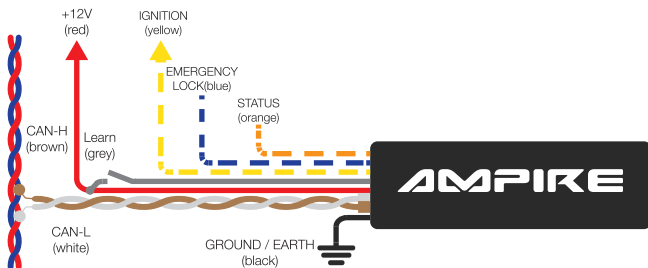
- Please follow the installation instruction carefully to avoid damaging the device or the vehicle.
- Only Ampire trained and approved installers may install this device.
- DO NOT cut any vehicle wires during this installation unless instructed to do so in the VEHICLE SPECIFIC INFORMATION.
- Confirm that the serial number on the unit and the customer card are the same.

Serial Number Confirmation

The serial number on the unit and the card **MUST** be the same.

- Turn the ignition on - DO NOT START THE ENGINE.
- Press and hold the brake pedal.
- Fully press and then release the accelerator pedal a number of times corresponding to the first digit of the serial number and release the brake pedal.
- Repeat this for the remaining 4 digits.
- If this is the correct number the SIGNAL INDICATORS will flash twice
- See flow chart on reverse side of this document for more details

Connections



- **Ground/Chassis (BLACK)**
A permanent connection to the vehicle chassis or a ground wire must be made with the BLACK wire and insulate the connection.
- **CAN-HIGH (BROWN)**
Connect the BROWN wire to the CAN+ wire as indicated on the VSI and insulate the connection.
- **CAN-LOW (WHITE)**
Connect the WHITE wire to the CAN- wire as indicated on the VSI and insulate the connection.
- **Power (RED)**
Finally, a permanent connection to the vehicle battery must be connected to the RED wire. Be sure to confirm that this voltage does not fall away when the vehicle is in motion. Do not insulate this connection yet as it will be used during programming.
- **Learn (GREY)**
Connect the GREY wire TEMPORARILY to the RED (+12V) wire. This connection will be removed later after the installer PIN learning process is completed.

Only when Needed as per VSI

- **Ignition (YELLOW)***
Connect the YELLOW wire to a positive when ignition is on.
- **Emergency Lock (BLUE)***
Connect the BLUE wire to as instructed by the VSI. This is either connected to a starter cut relay or to the CAN+ on some vehicles.
- **Status/Debug (ORANGE)**
Only used with debug software. Do not connect.

Installer PIN Code Learning

Once the RED wire has been connected and the GREY wire is still connected to the RED wire the WFS300-BT will be in forced learn mode. The following procedure will learn the installer PIN code. Ampire suggests a simple, 4 button push, installer PIN code for testing. The USER must be shown how to change to a personalised PIN code on handover.

PIN Code learn Process

- Turn on the ignition but DO NOT start the engine. The SIGNAL INDICATION must be flashing once every 3 seconds to indicate that the WFS300-BT is in learn mode.
- Enter the installer PIN code. Each press is confirmed by a single flash of the SIGNAL INDICATION. Each button press must happen within 2 seconds of the previous button press.
- Wait for 3 seconds, the SIGNAL INDICATION will flash 3 times to verify code has been learnt once.
- Repeat the SAME PIN code to verify the code entry.
- Wait for 3 seconds, the SIGNAL INDICATION will flash 2 times to indicate a successful PIN learn.
- You can now remove the GREY learn wire temporary connection and insulate.

NOTE: If the SIGNAL INDICATION flashes 4 times the PIN learn was NOT successful, turn ignition off and back on again to restart the process.

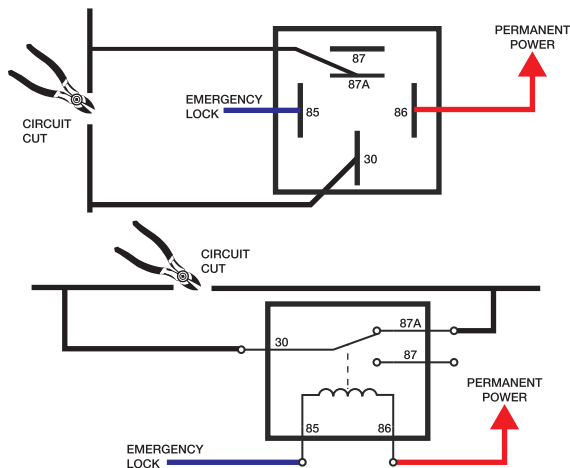
Finalisation

- If the WFS300-BT is functioning correctly, seal up the GREY wire end and the connection location to the RED wire and seal the unit in the desired location.
- After completely closing up all panels and wiring harnesses, retest the unit.
- Place the WINDOW STICKERS on the rear windows or another unobtrusive place.
- Show the user the PIN change process using the instructions on the user card.

Completion of the installation report is NOT NEGOTIABLE. Due to the size and functionality of the WFS300-BT it is vital that this information is gathered to allow for after sales support. Return this documentation to Ampire within 24 hours on completing the installation.

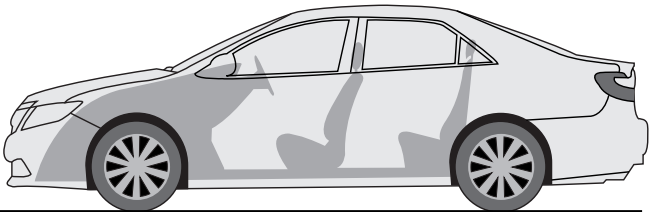
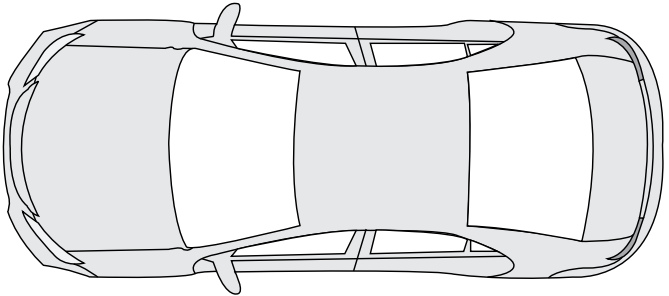
Emergency Lock replay Configuration

On certain vehicles it is necessary to connect an additional relay. This relay will never be used unless there is a problem with the vehicle CAN bus. And the ignition wire goes high. The relay must be a normal closed relay ("5-pin"). Connect the relay as described below:



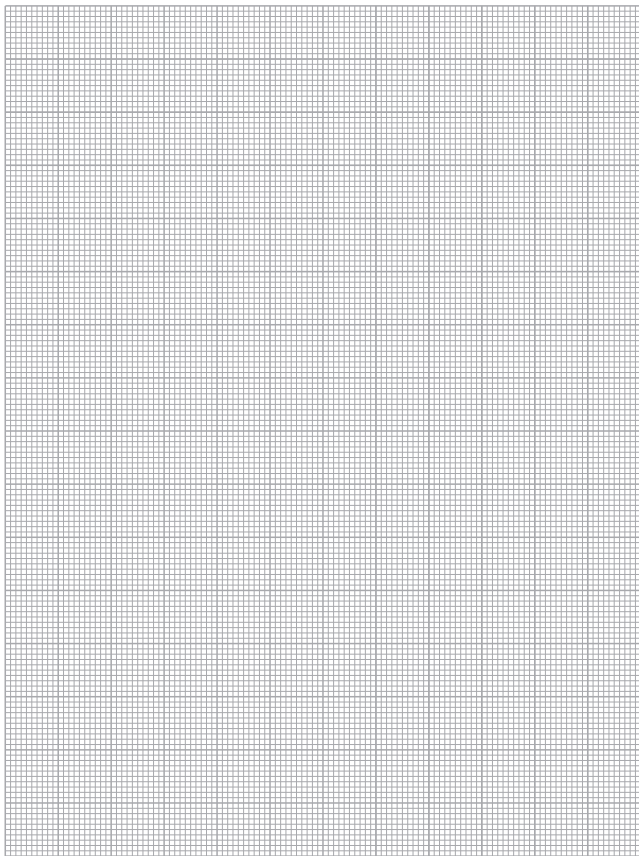
Space for Sketches

Here you can draw the installation location of the WFS300-BT.

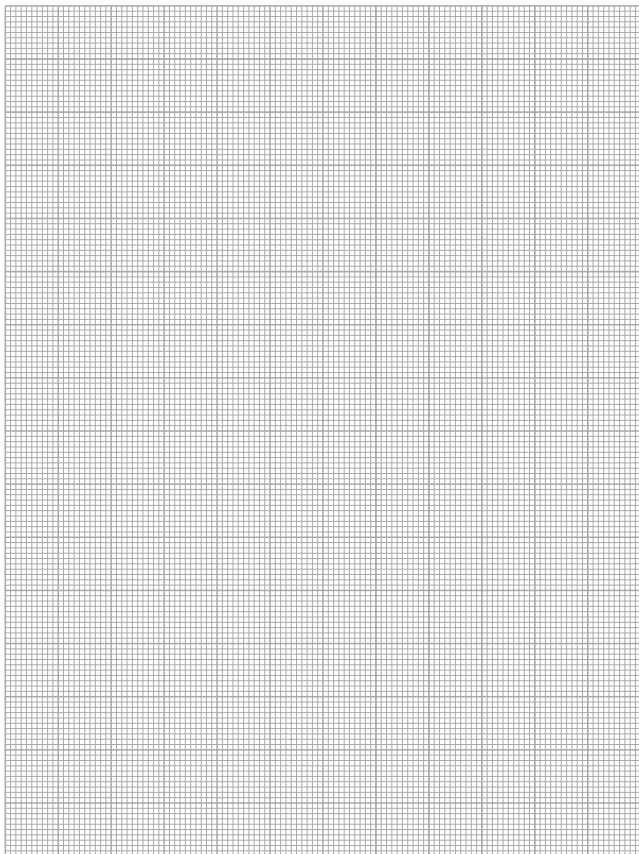


ATTENTION! Note the new PIN code after you have changed it. **NEVER** leave the card with the emergency code or this manual in the vehicle!

Space for Sketches



Space for Sketches



Seit der Firmengründung im Jahr 1987 hat AMPIRE ELECTRONICS nur das eine Ziel, dem Kunden die bestmöglichen Autoalarm-, Autohifi- und Multimediaprodukte zu liefern, die auf dem internationalen Markt erhältlich sind.

Alle Fertigungsstätten und Zulieferer sind nach ISO-9001 bzw. QS-9000 zertifiziert. Die Qualitätsprodukte von AMPIRE werden weltweit verkauft.

Ein Kundenservice ist in vielen Ländern erhältlich. Für nähere Informationen über Vertretungen im Ausland wählen Sie: +49-2181-81955-0.

Wir fokussieren auf zukunftsorientierte Entwicklung anwenderfreundlicher Produkte. Unser hoher Anspruch an Qualität, Funktionalität und Design zeichnet unsere Erzeugnisse aus. „German Development“ wird bei AMPIRE wörtlich genommen.

Since its founding in 1987 Ampire Electronics has only one goal, to provide the best possible Autoalarm-, Autohifi- and Multimedia products, which are available on the international market.

All manufacturing facilities and suppliers are certified according to ISO 9001 and QS-9000. Ampire quality products are sold worldwide.

An Ampire customer service is available in many countries. For more information about distributors in your territory please call: + 49-2181-81955-0.

We are focused on future oriented development of user friendly products. The outstanding high quality standards, functionalities and designs of our products are unique in the market. "German Development" is taken literally in AMPIRE.

Langwadener Straße 60
D-41516 Grevenbroich
info@ampire.de

Support
+49 2181-81955-0
support@ampire.de

www.ampire.de