

POWER SUPPLY

RED

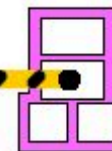


BLACK CONECTOR

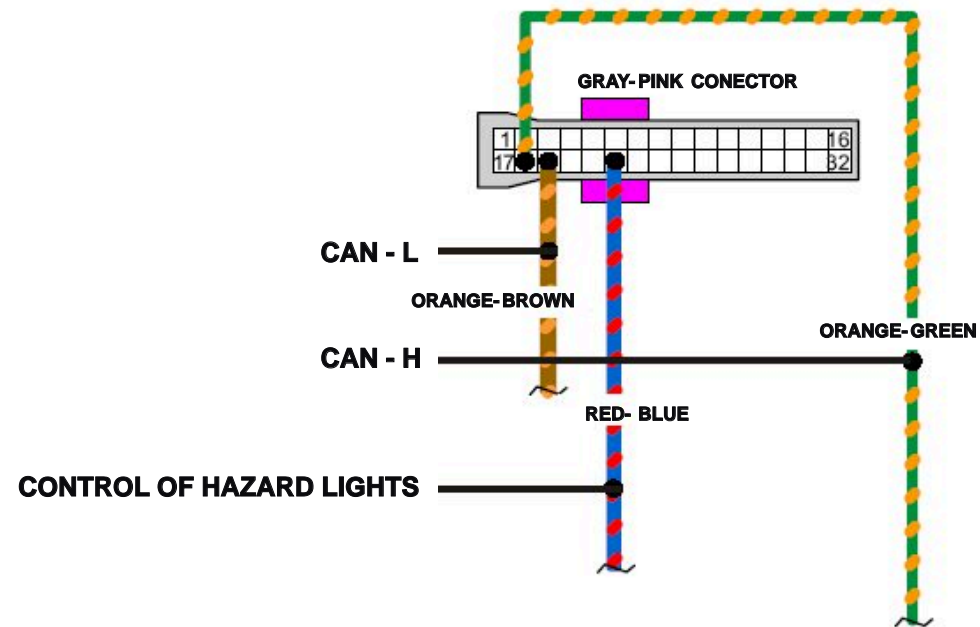
IGNITION'S BLOCADE



BLACK-YELLOW



PINK CONECTOR

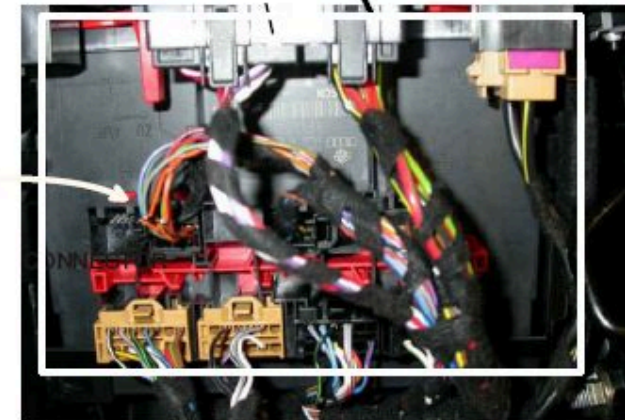
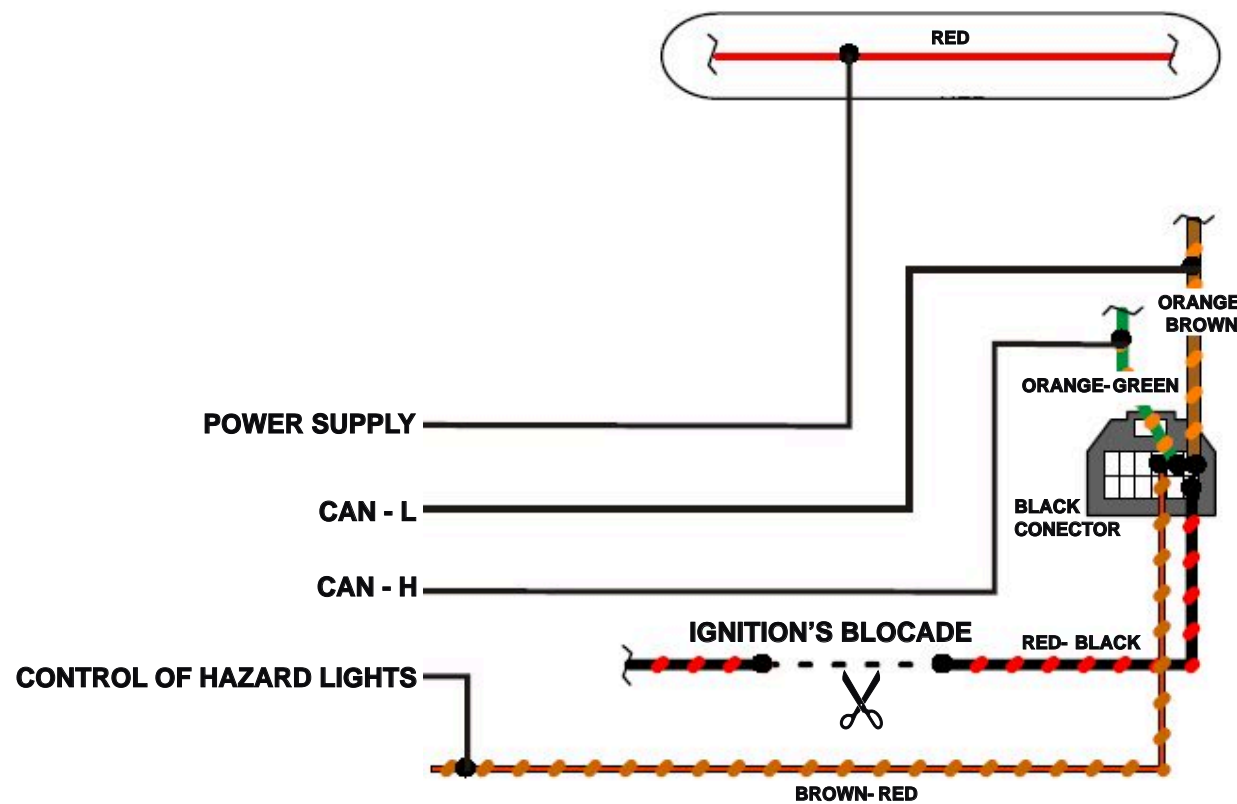
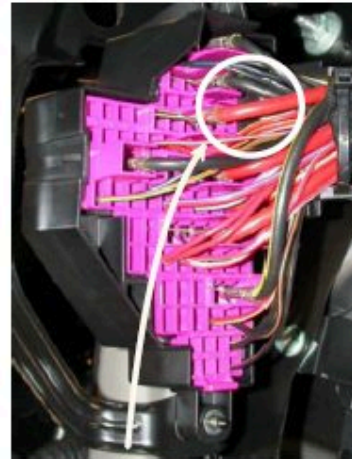


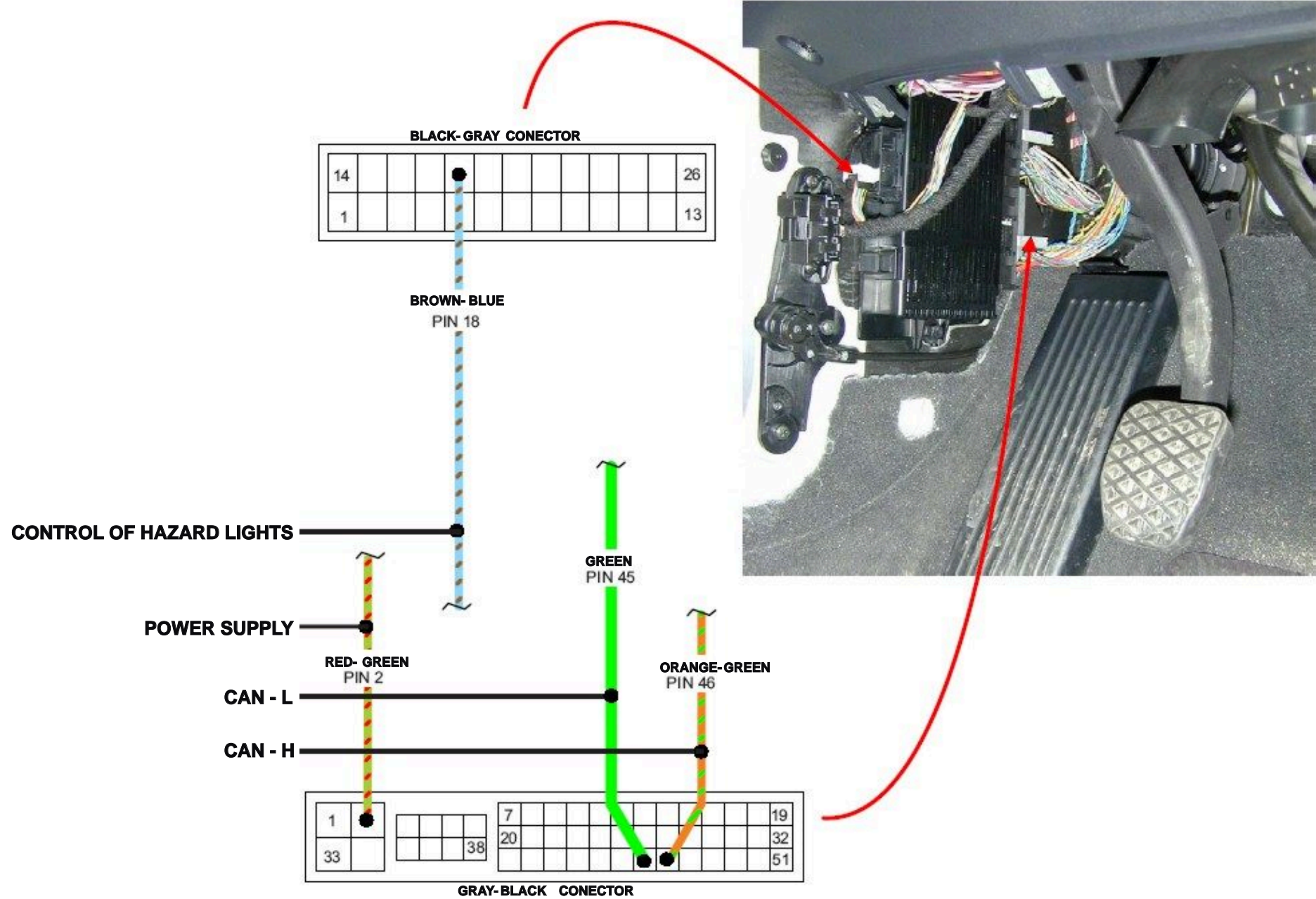
Make: AUDI

Model: TT

Year: 2006-

Actualization: 07.11.2007



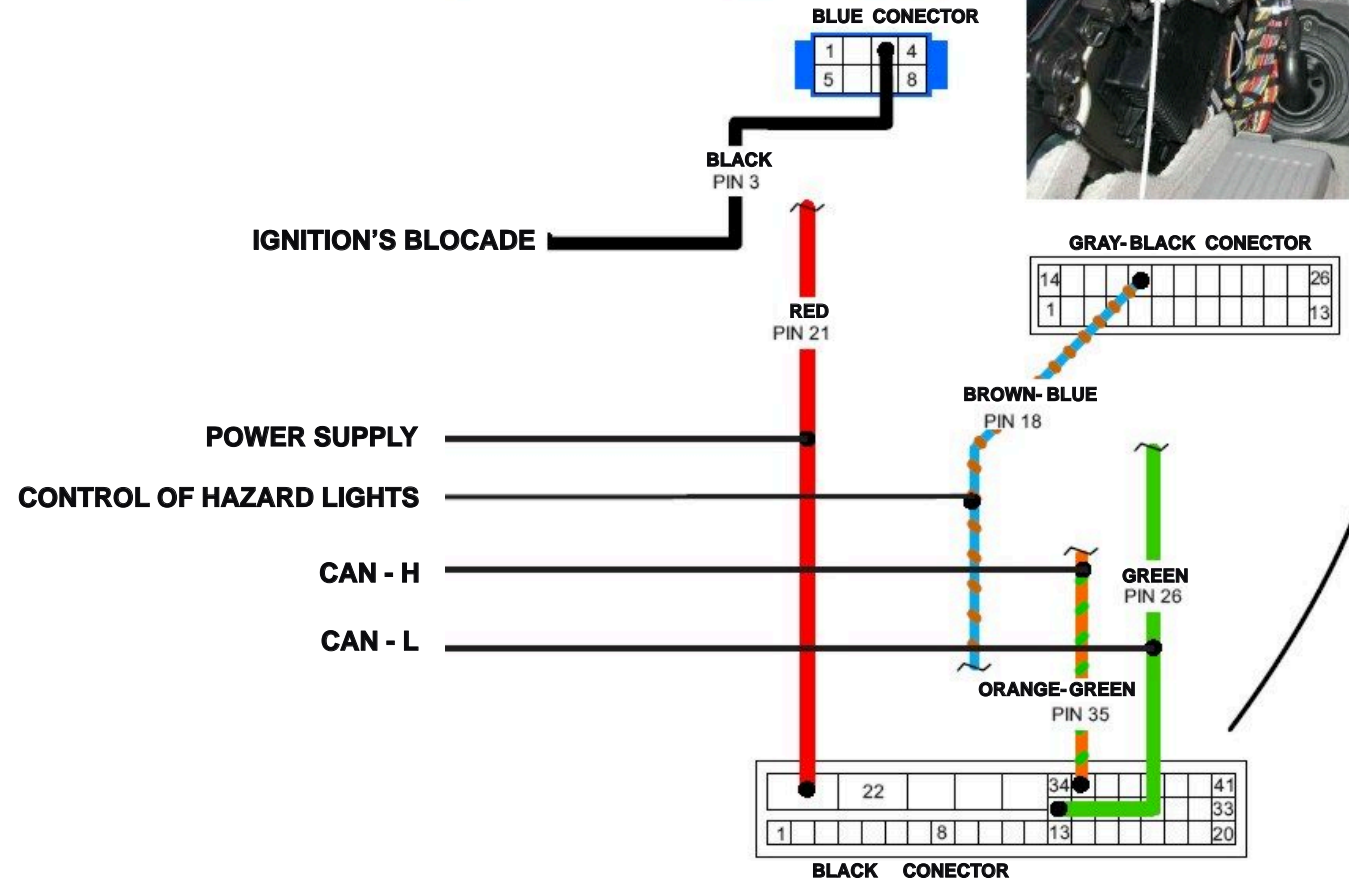
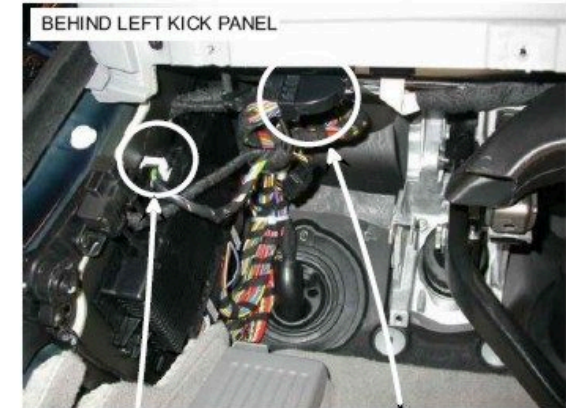
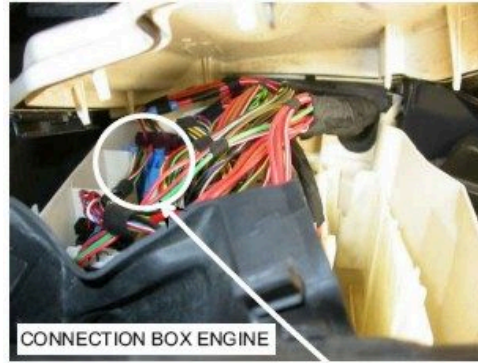


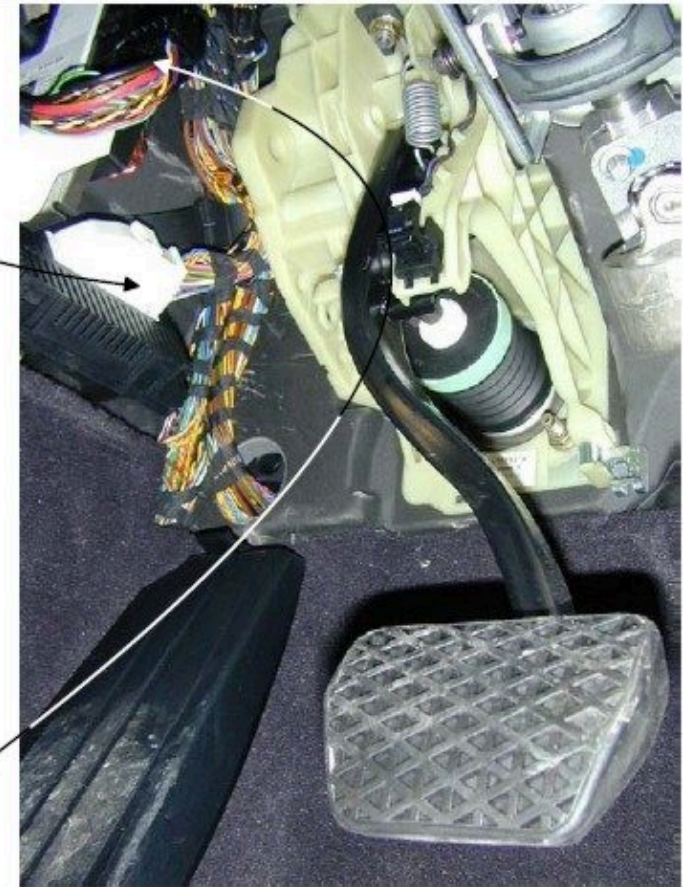
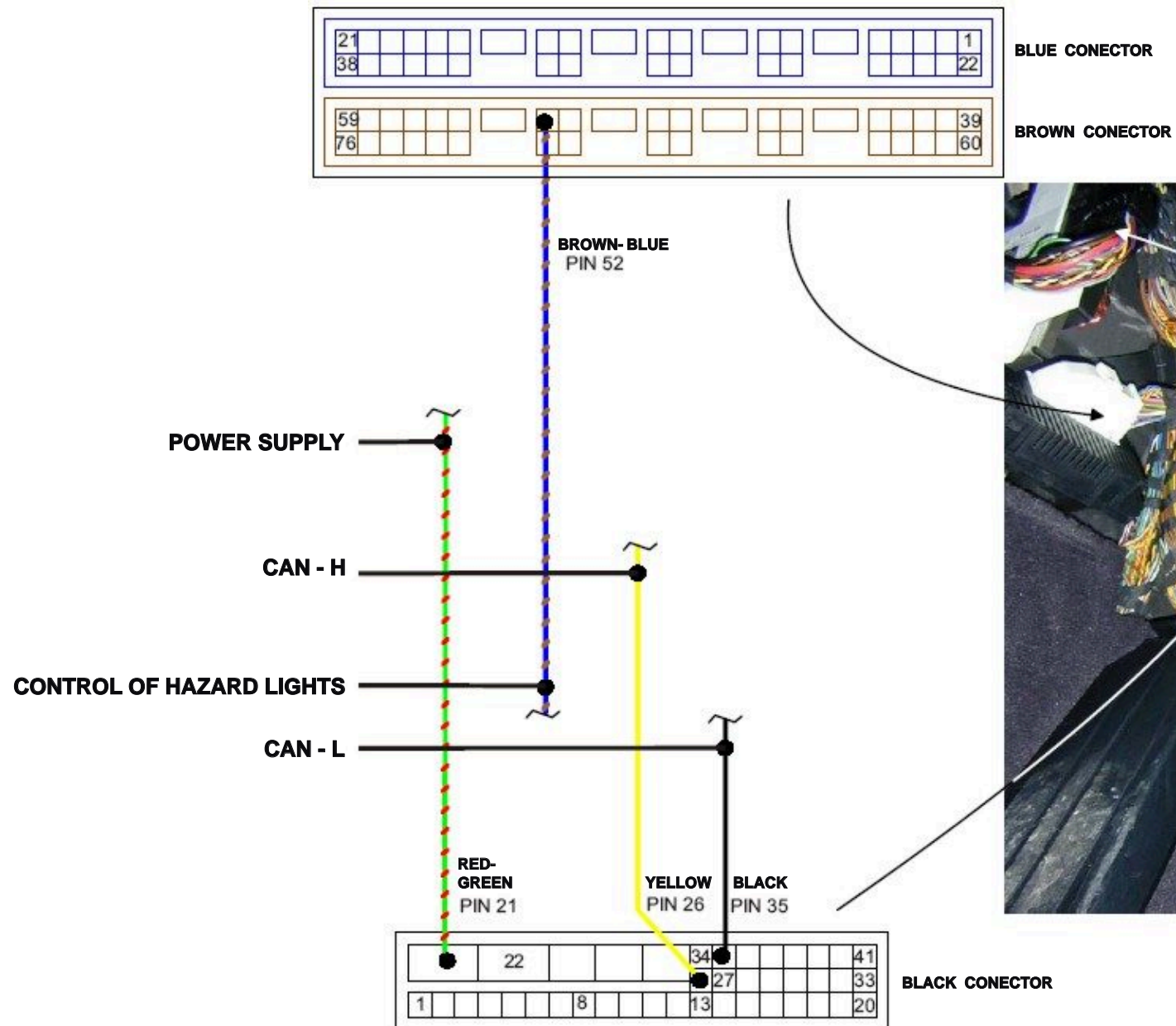
Make: BMW

Model: 3 SERIES

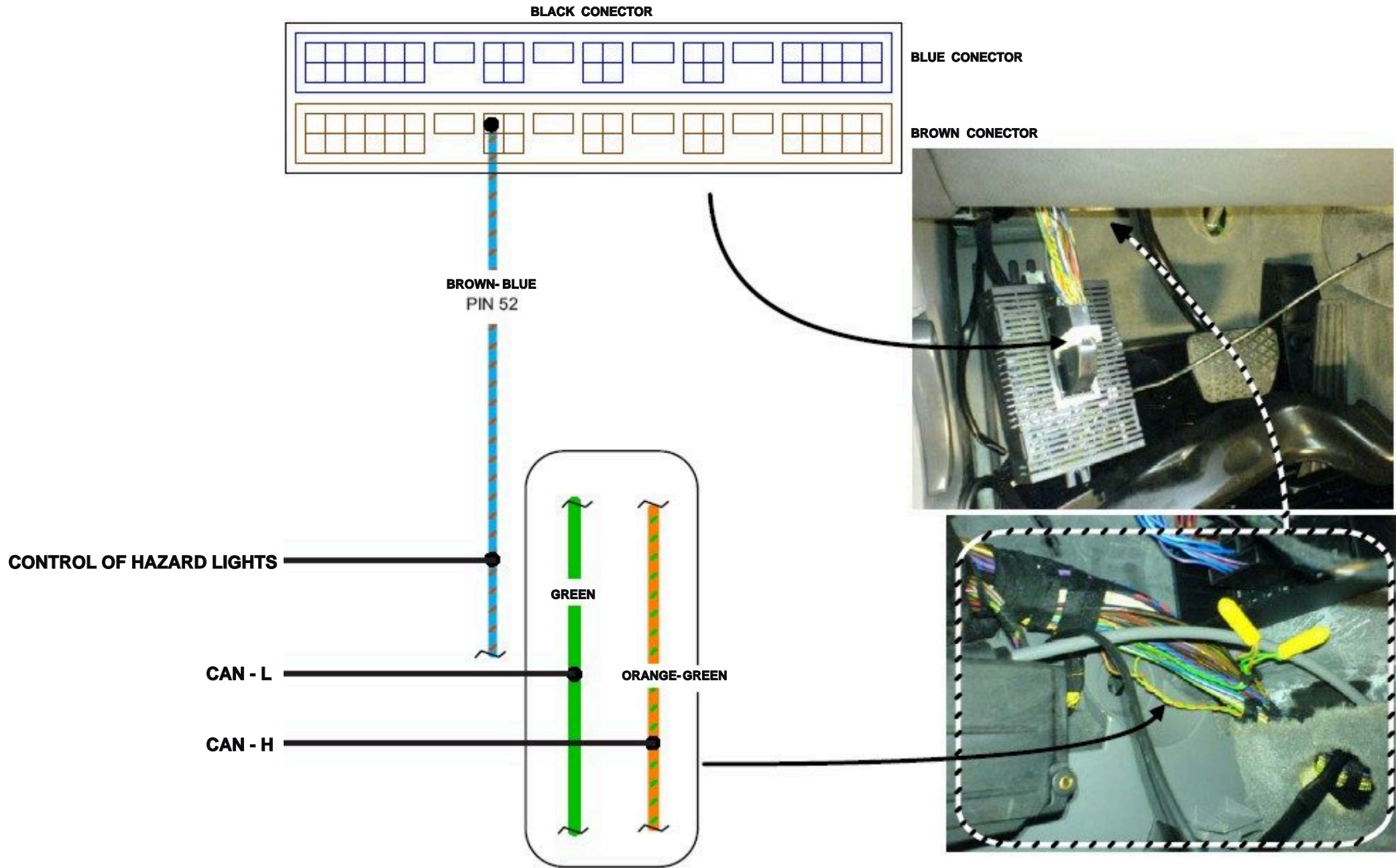
Year: 2005-

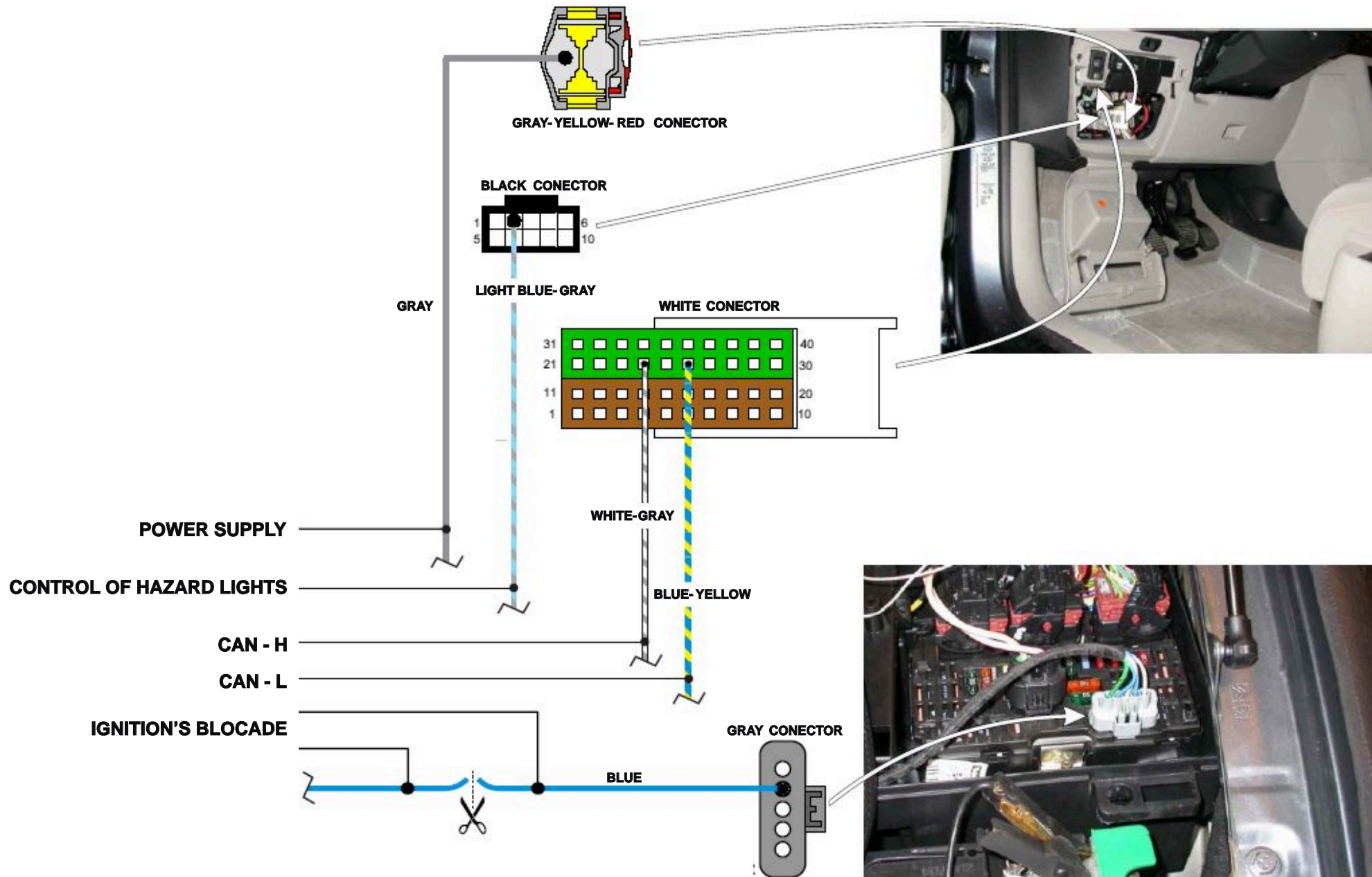
Actualization: 07.11.2007

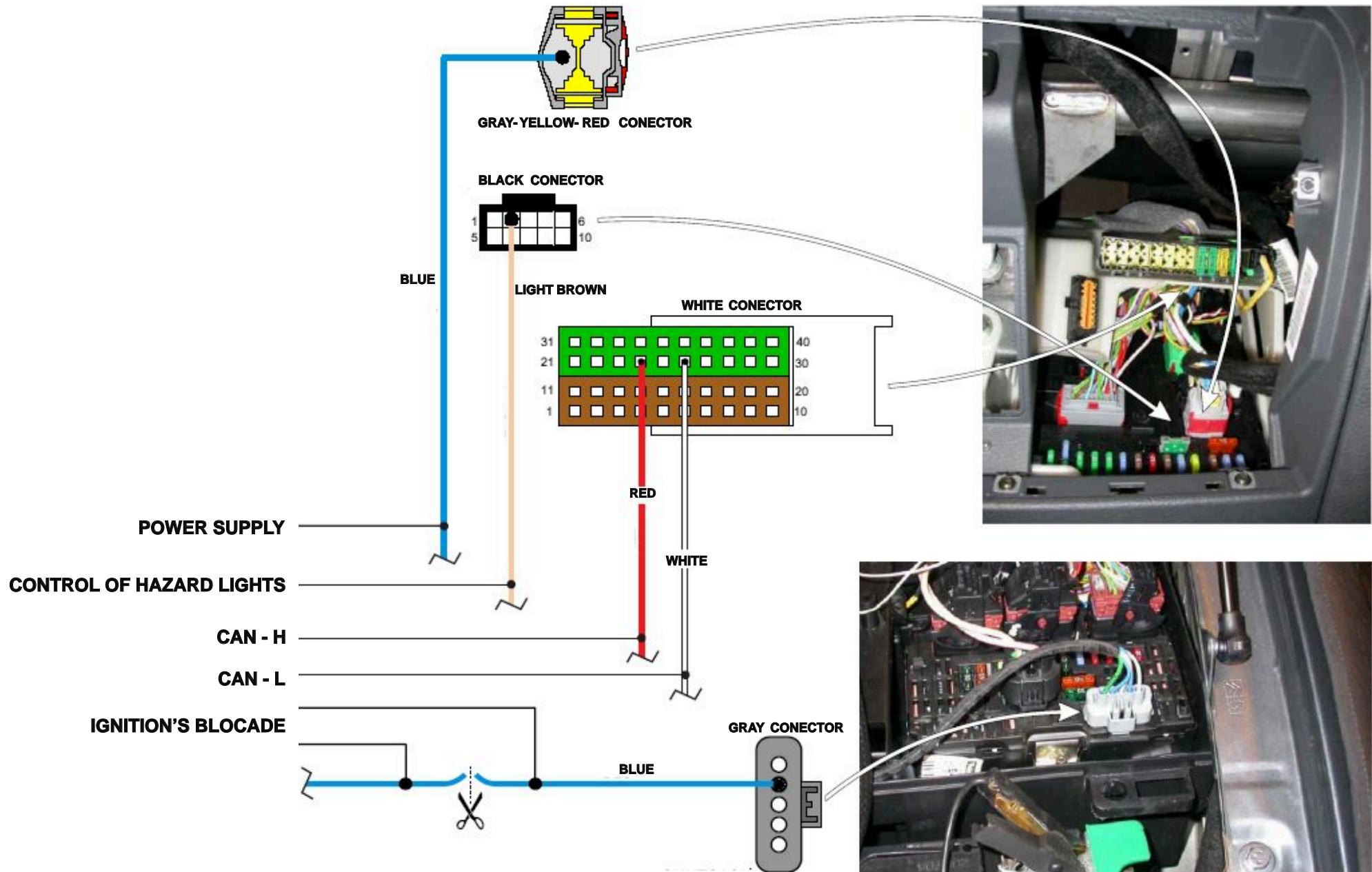


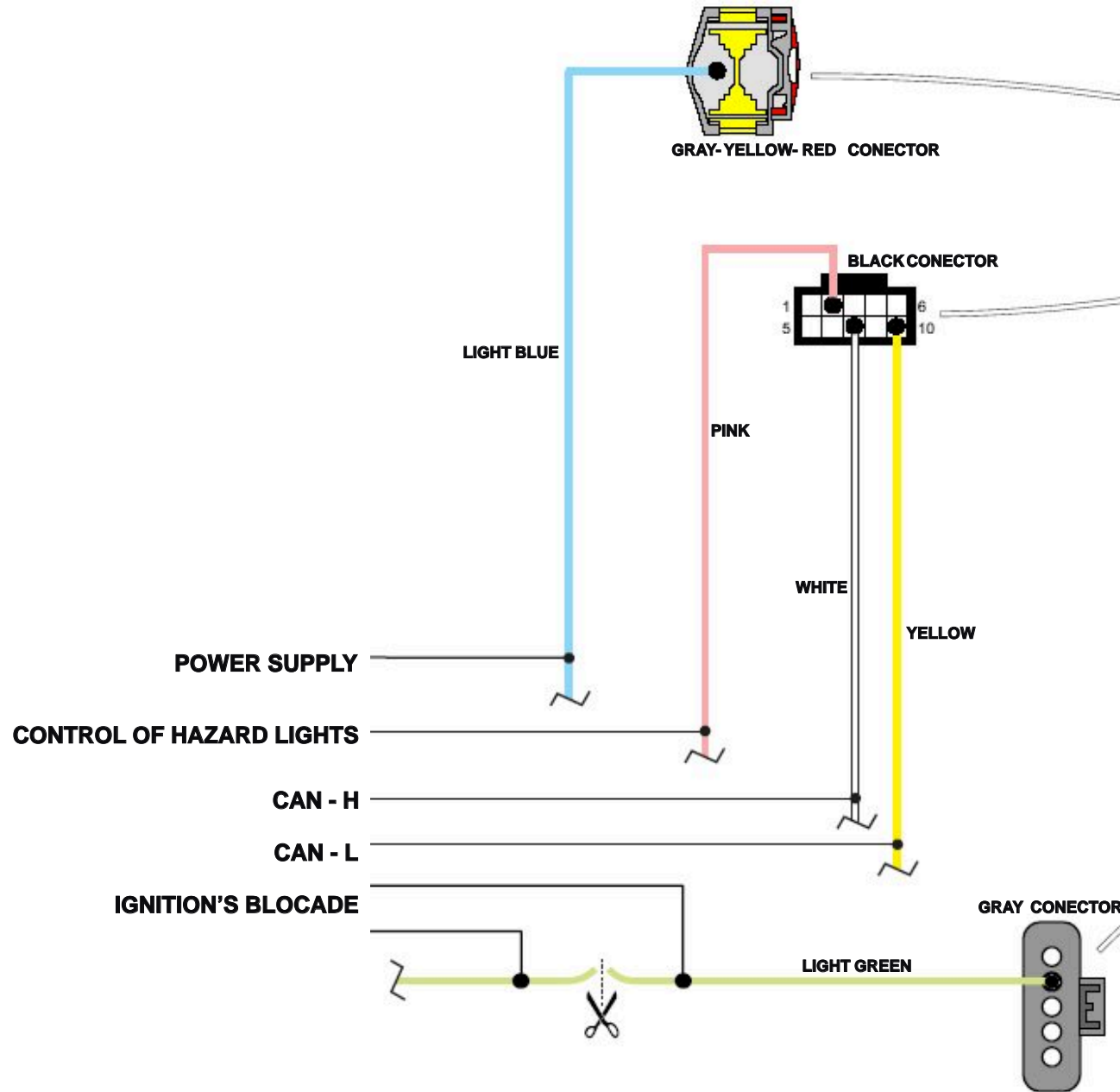


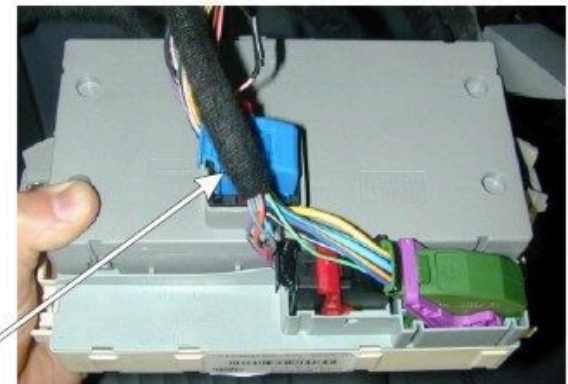
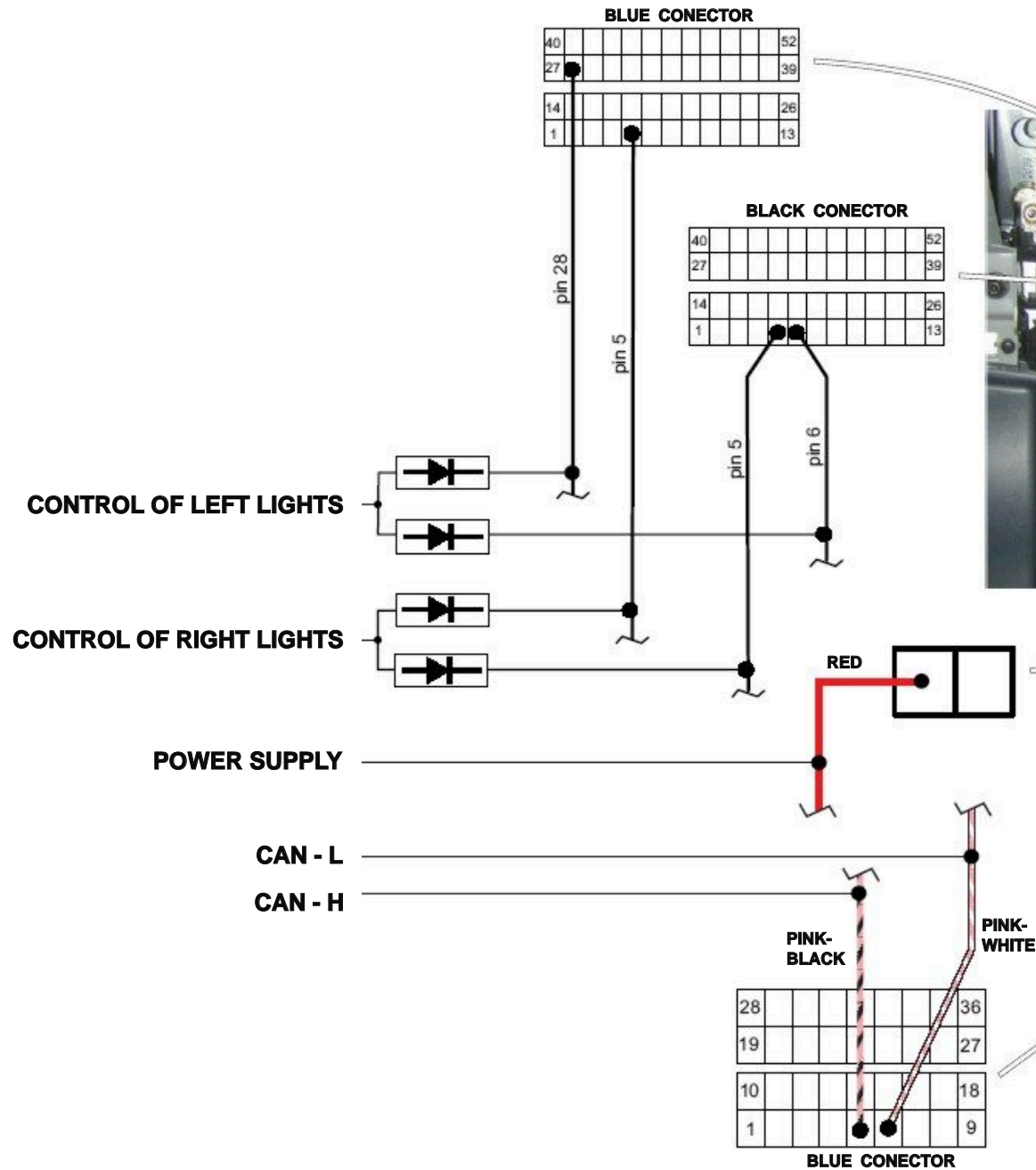
BLACK CONECTOR

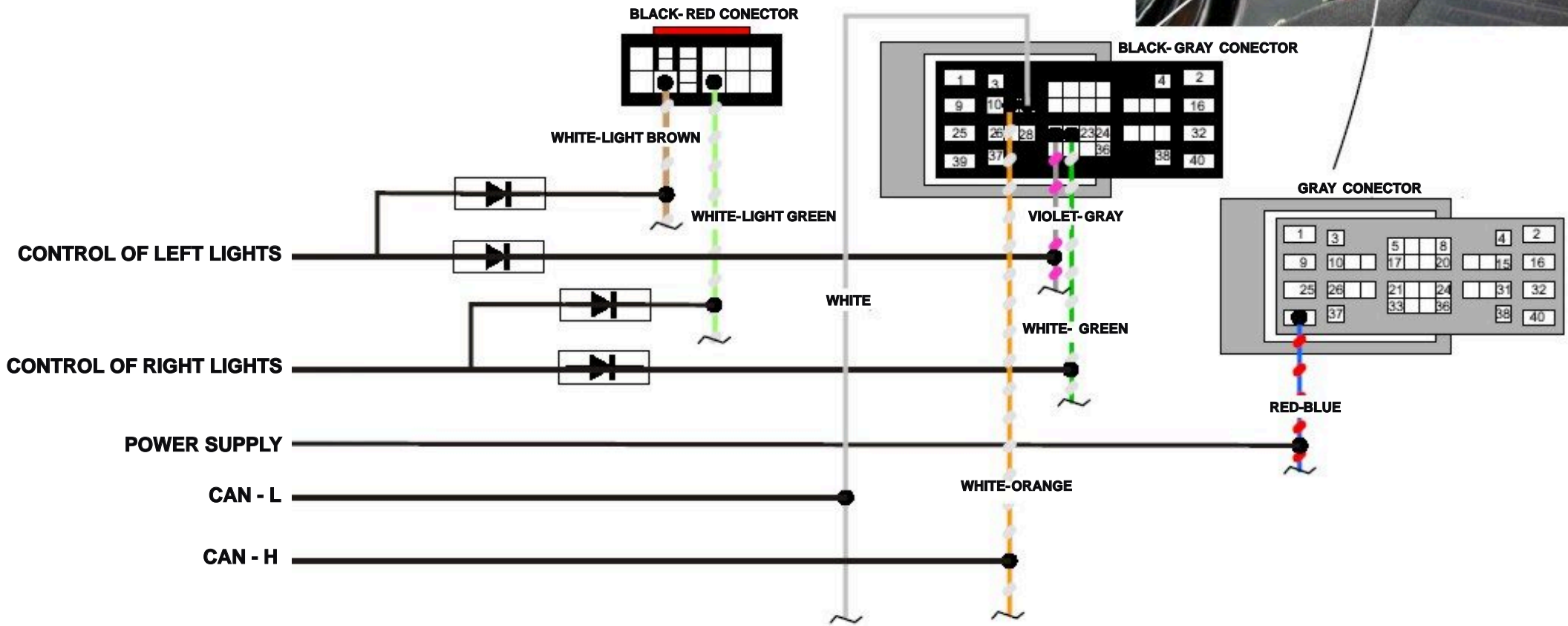


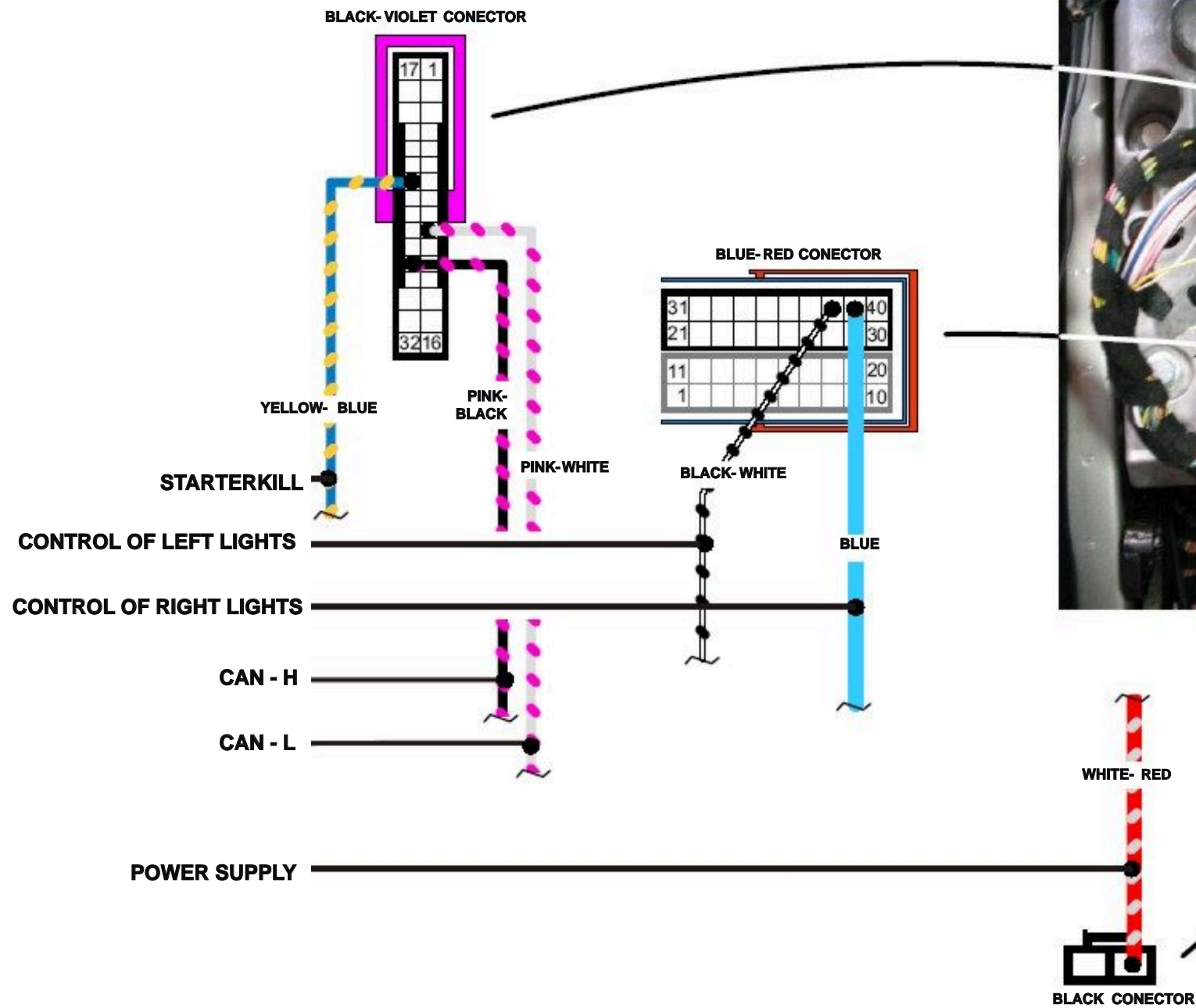




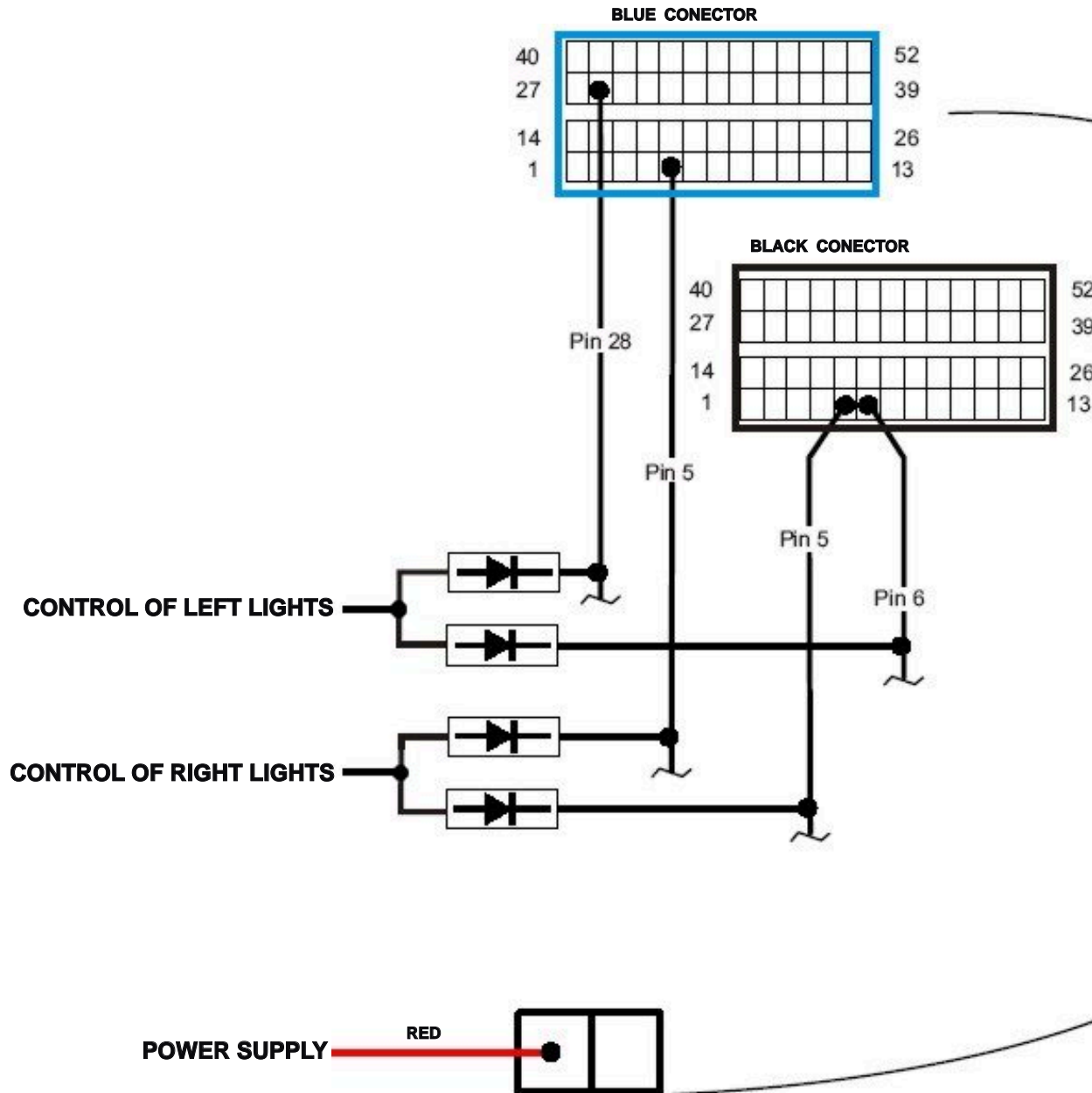








BLACK CONECTOR

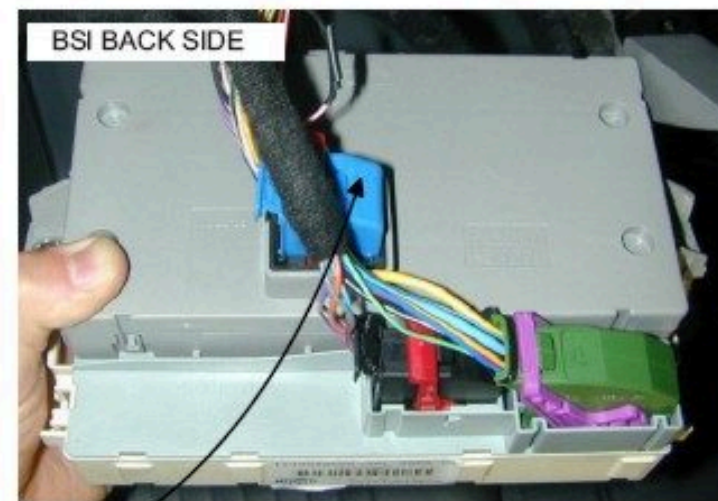
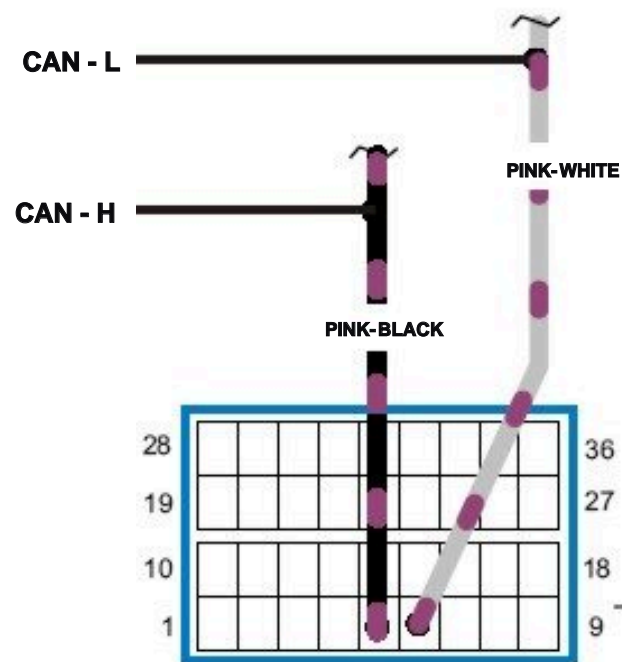


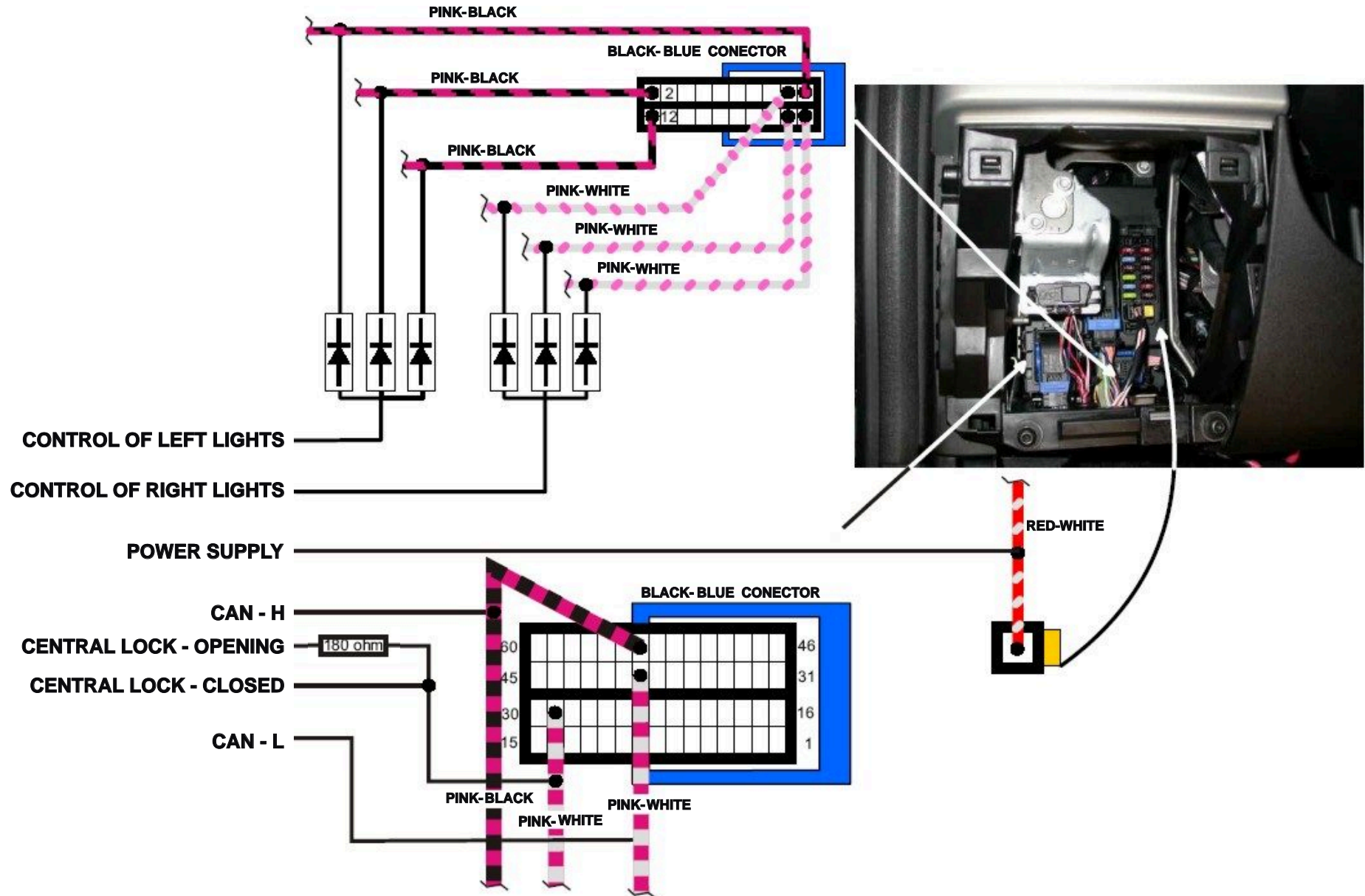
Make: FIAT

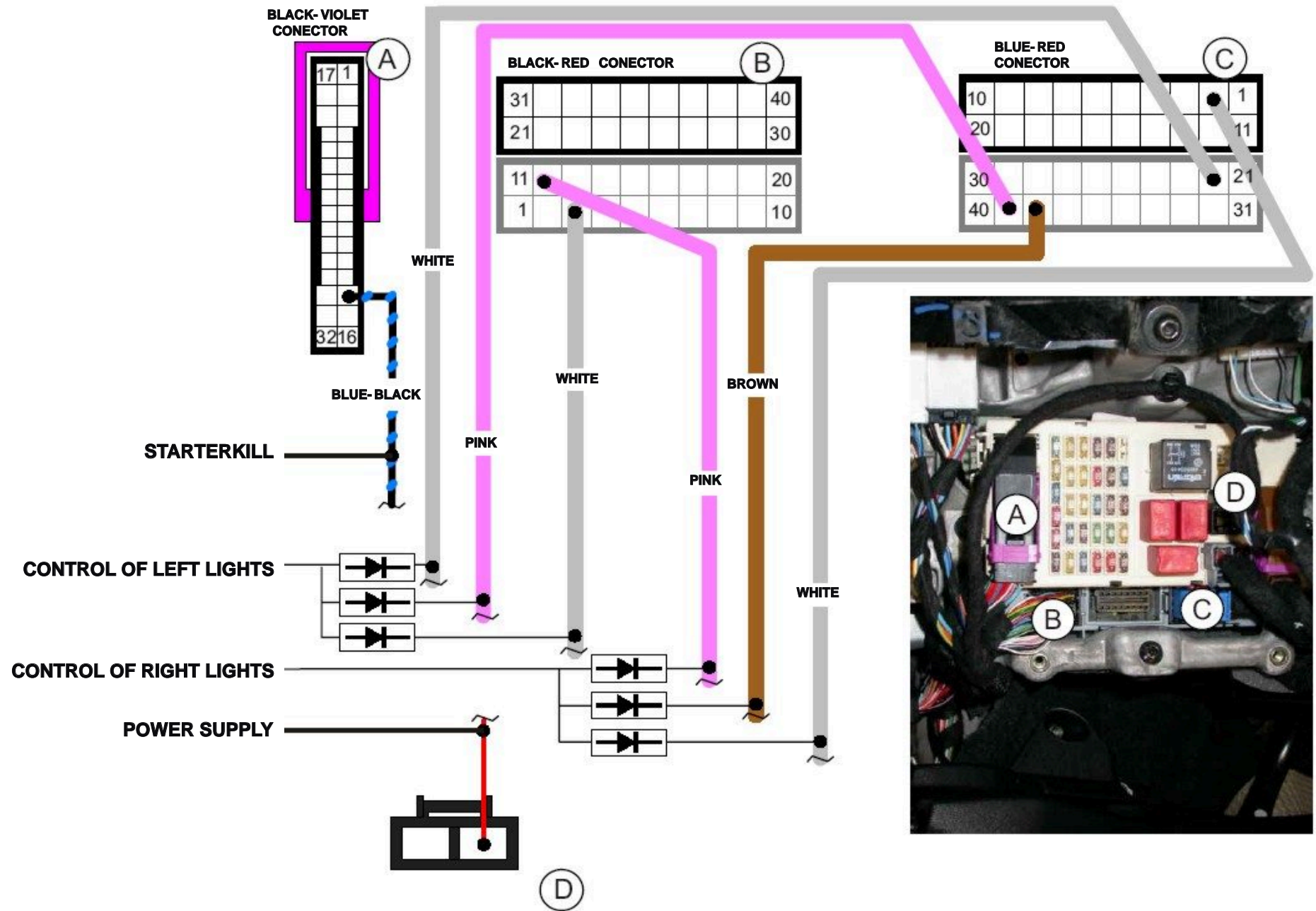
Model: DUCATO

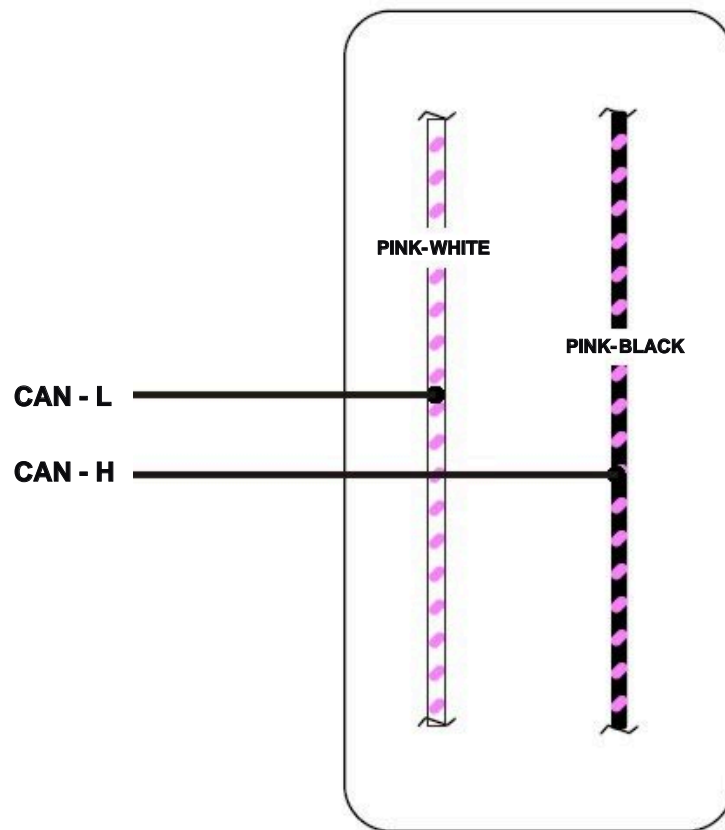
Year: 2006-

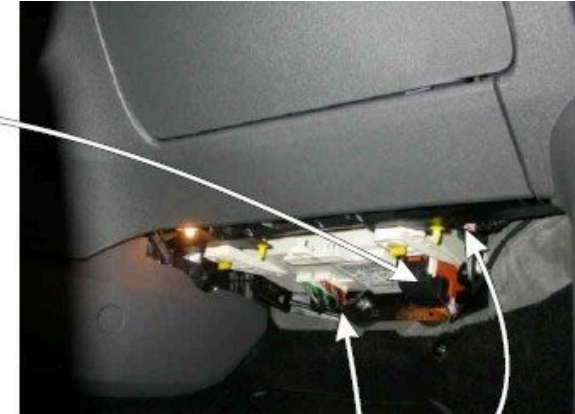
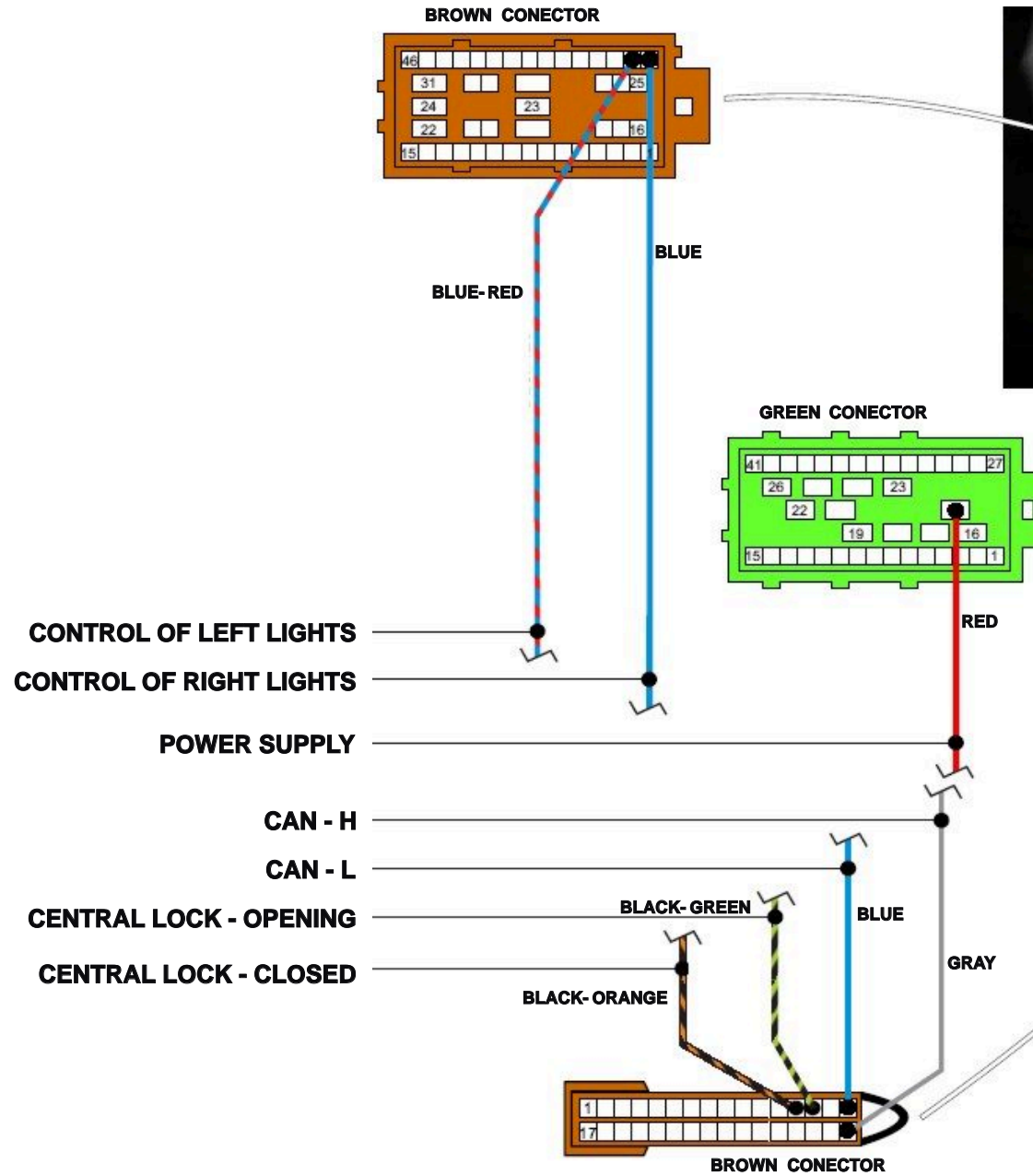
Actualization: 07.11.2007

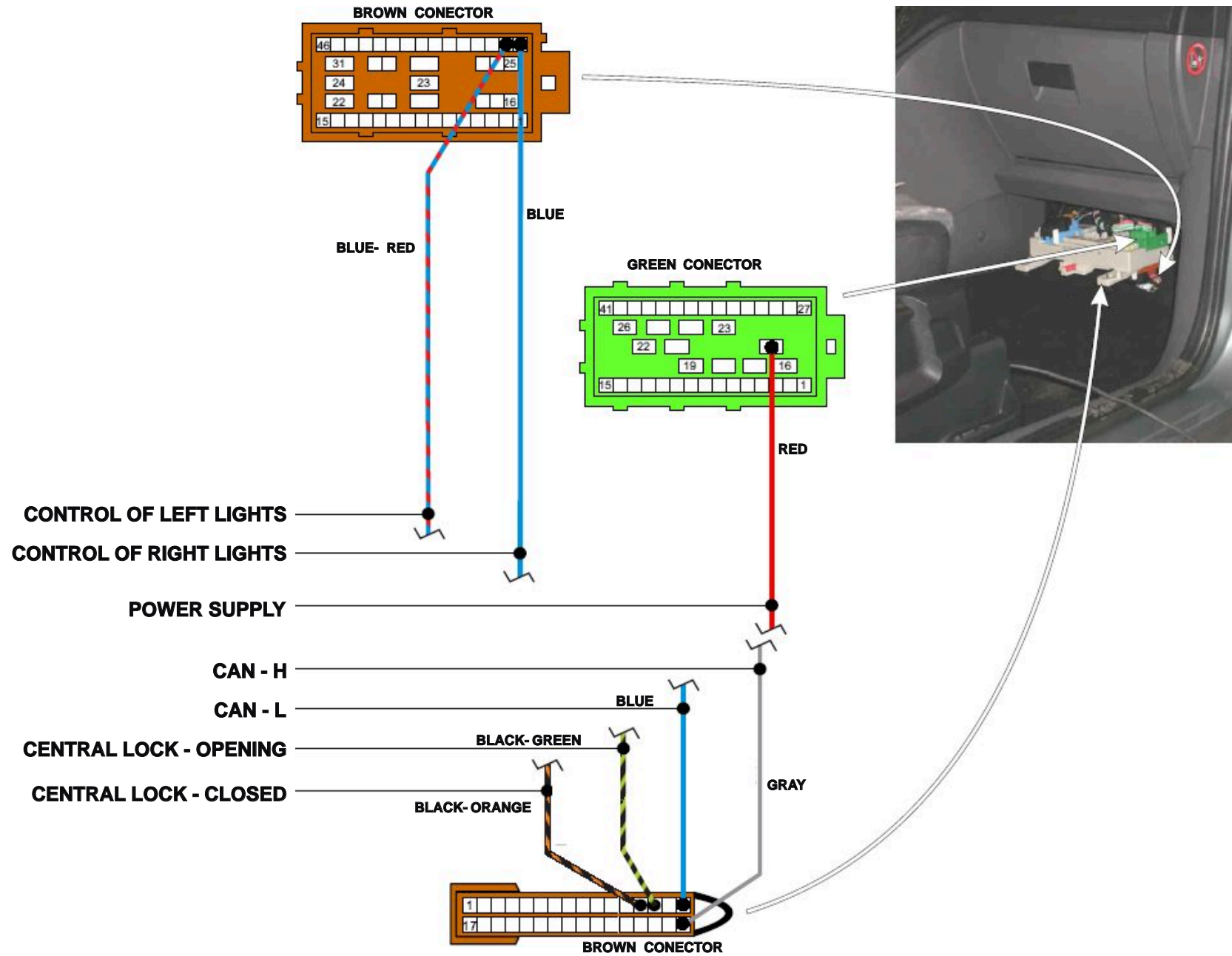


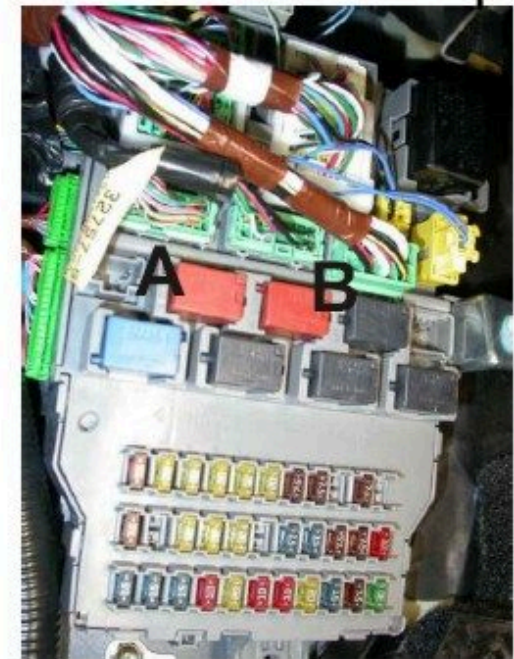
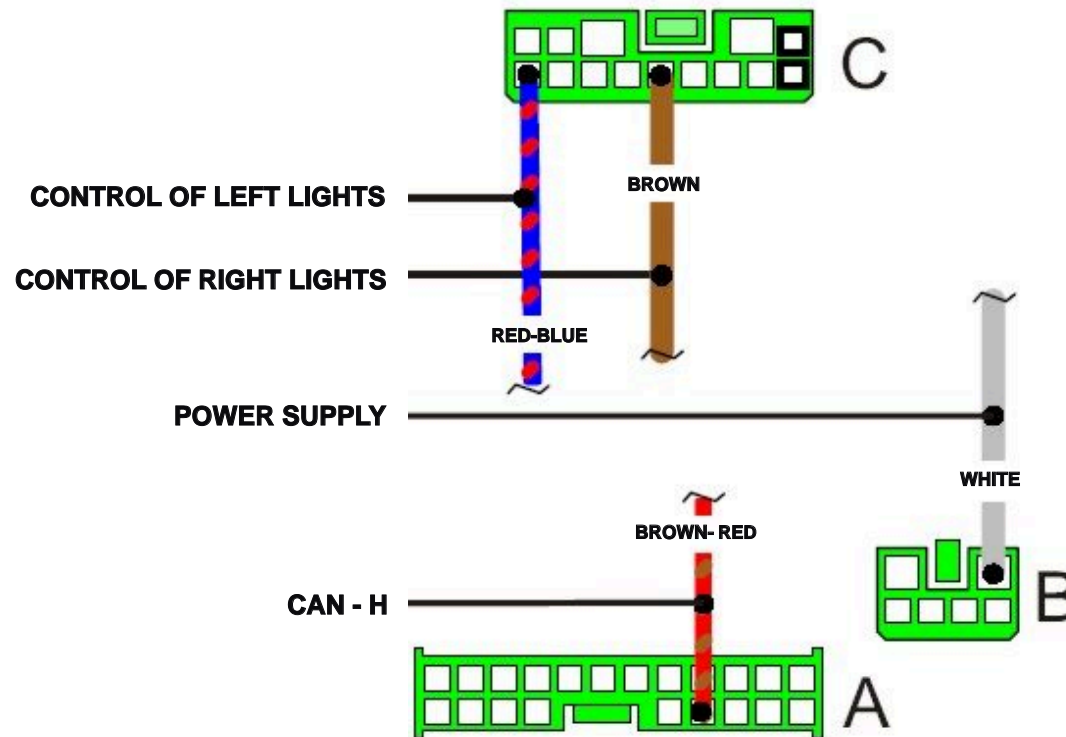


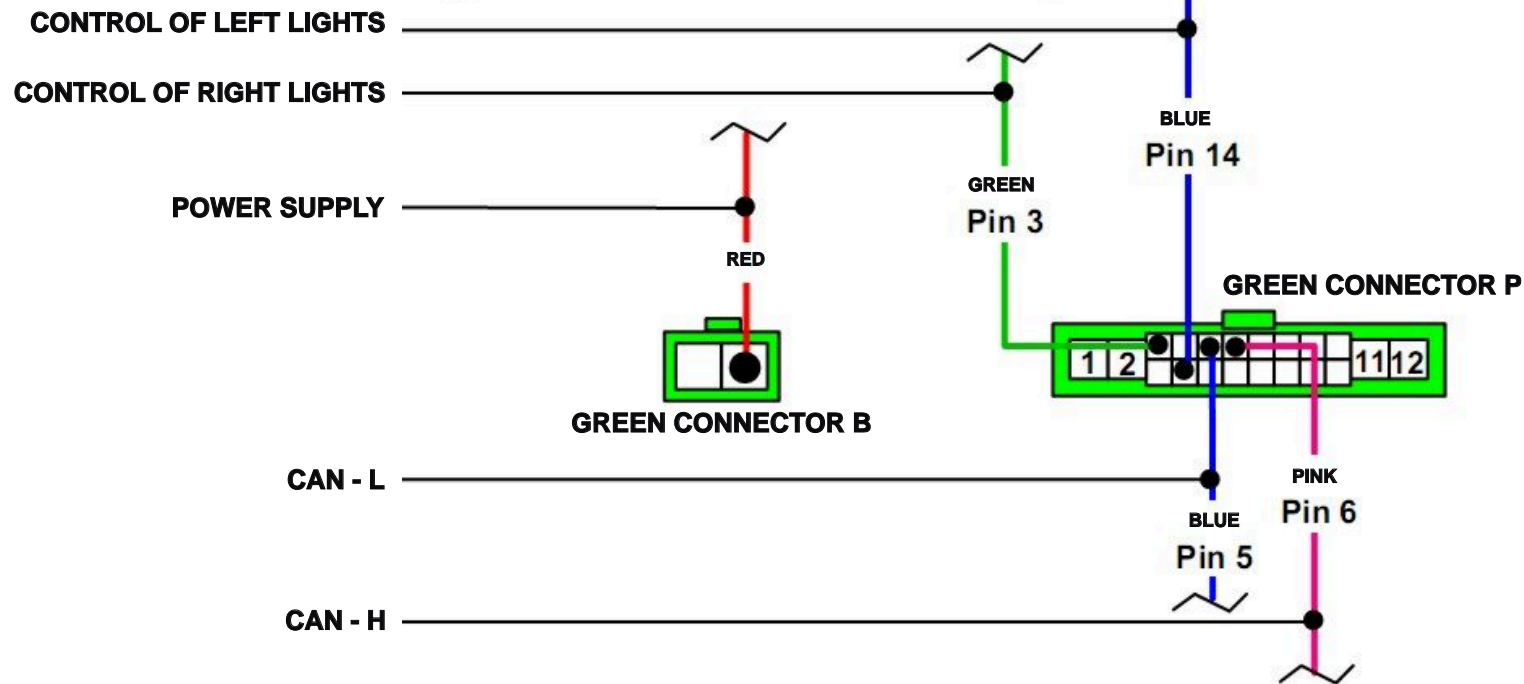
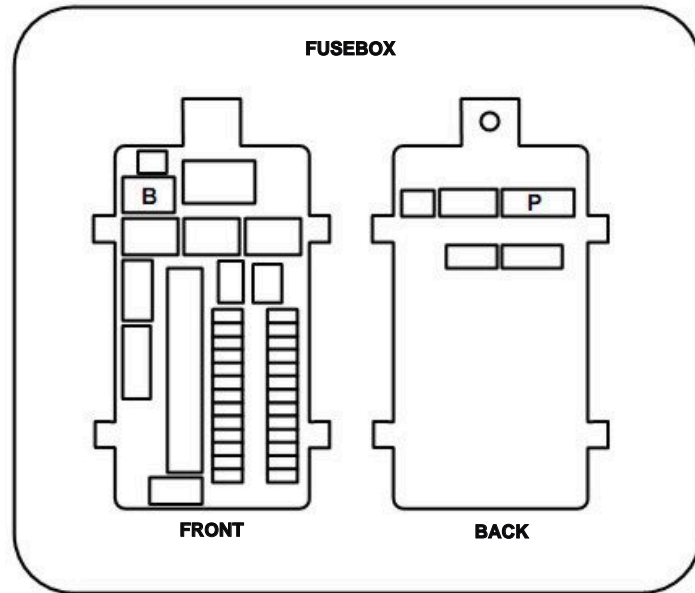


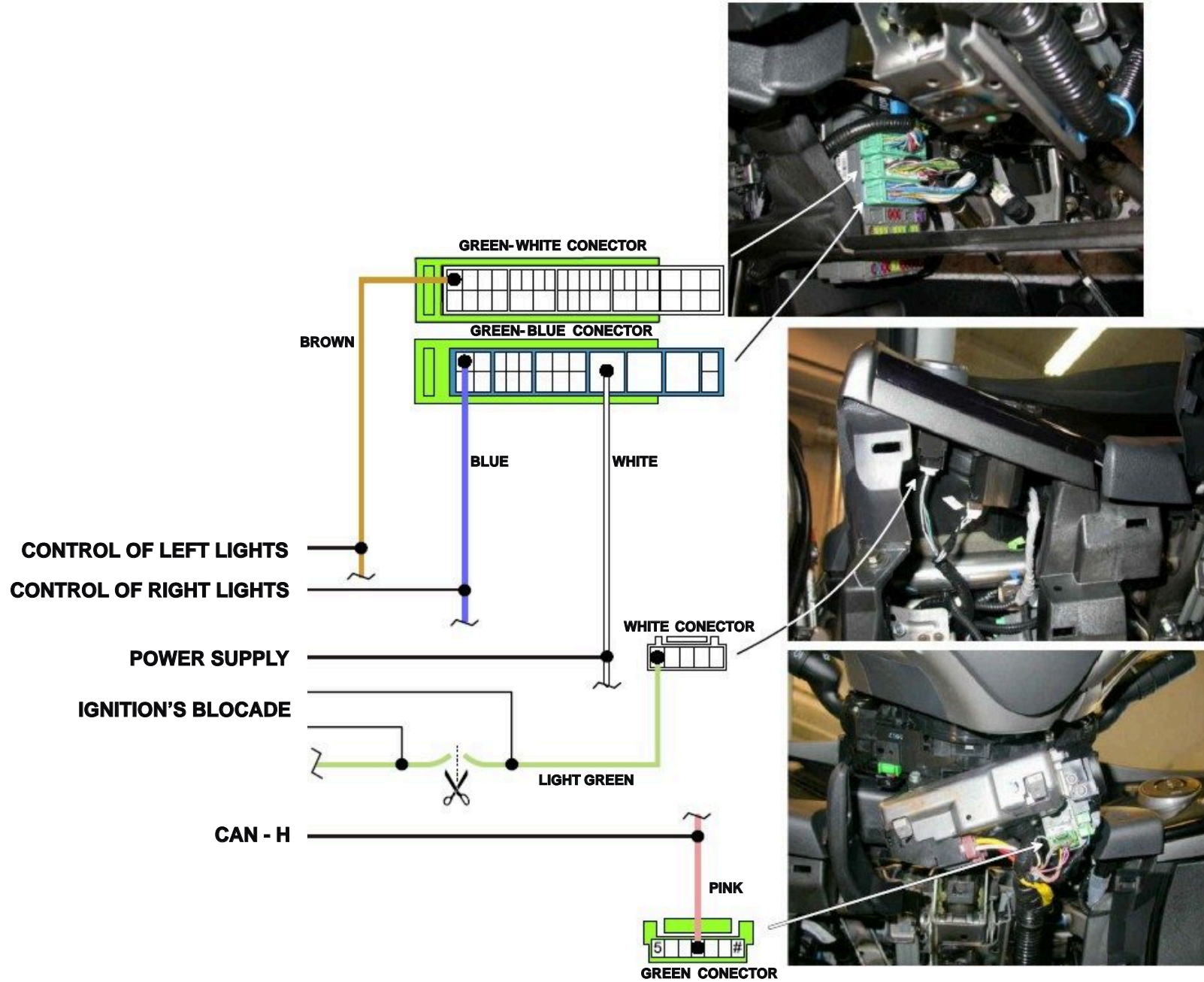


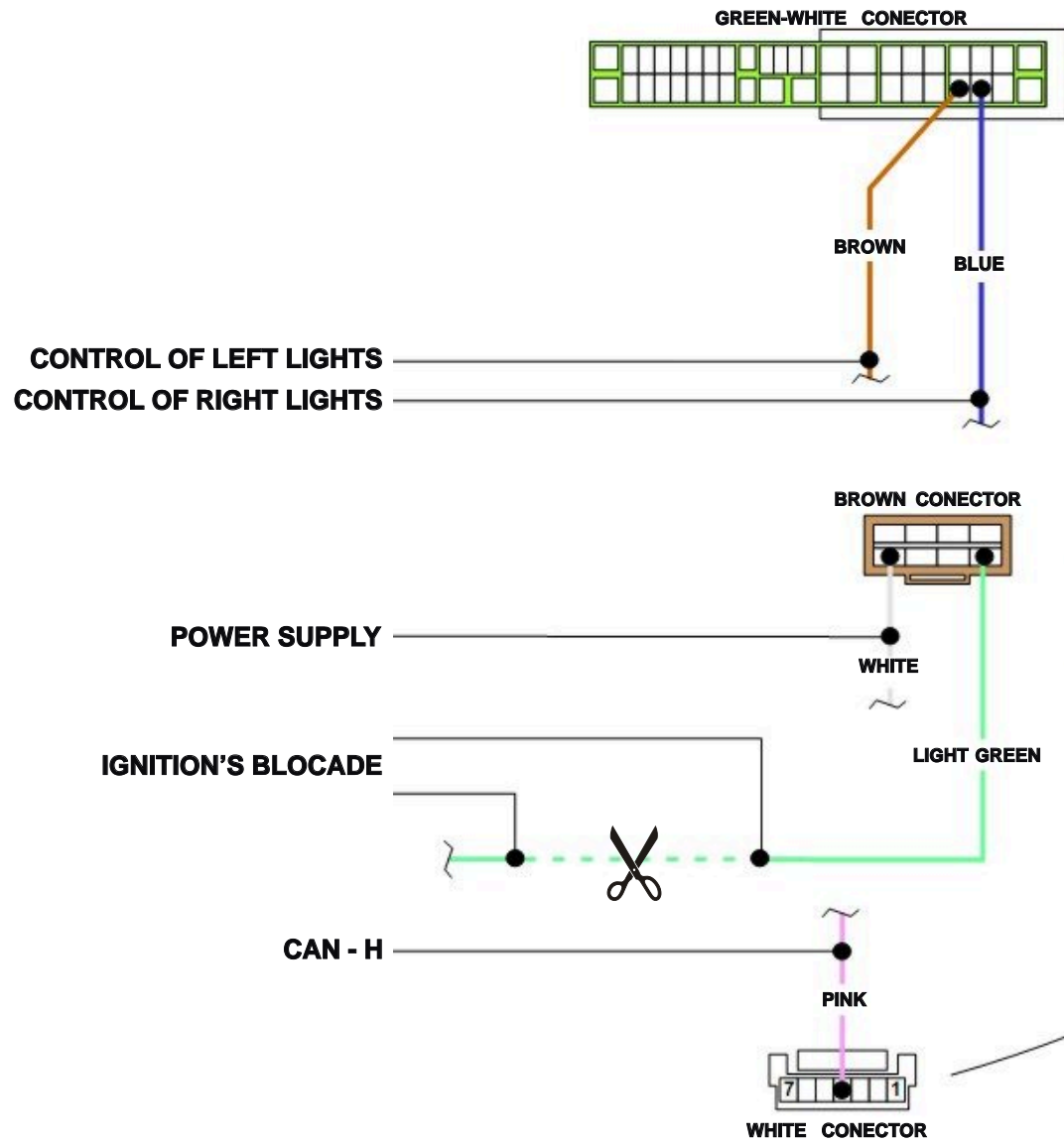


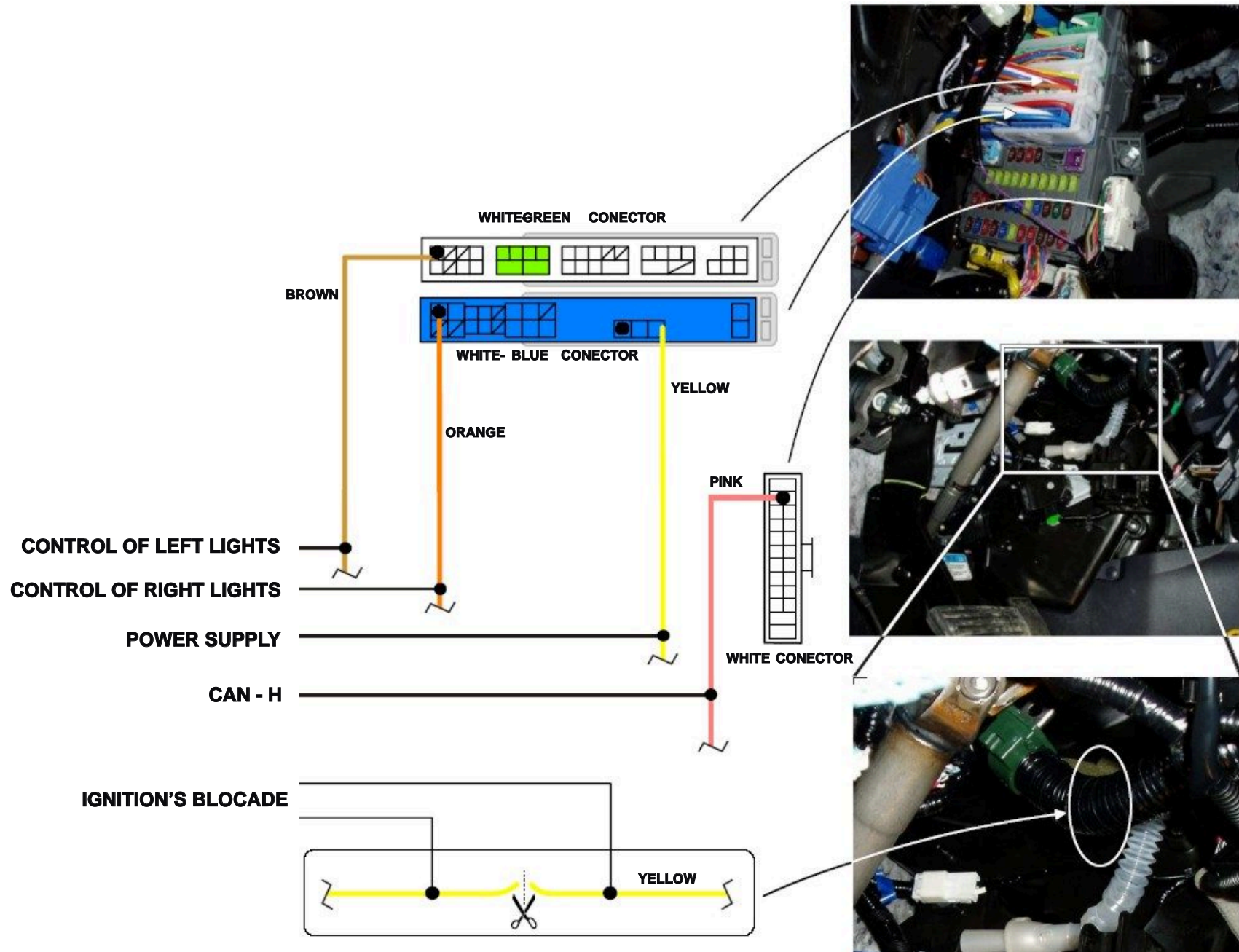


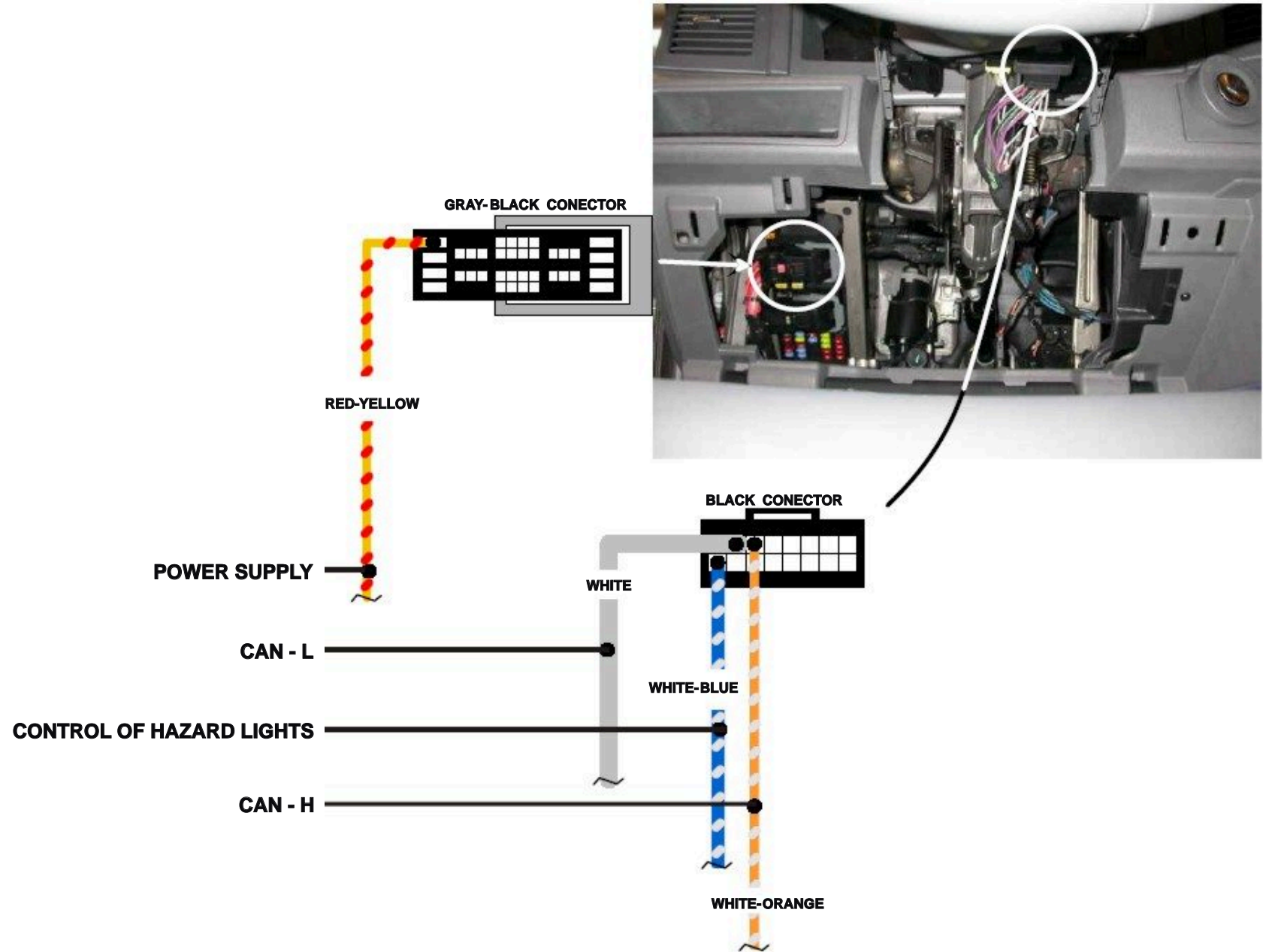


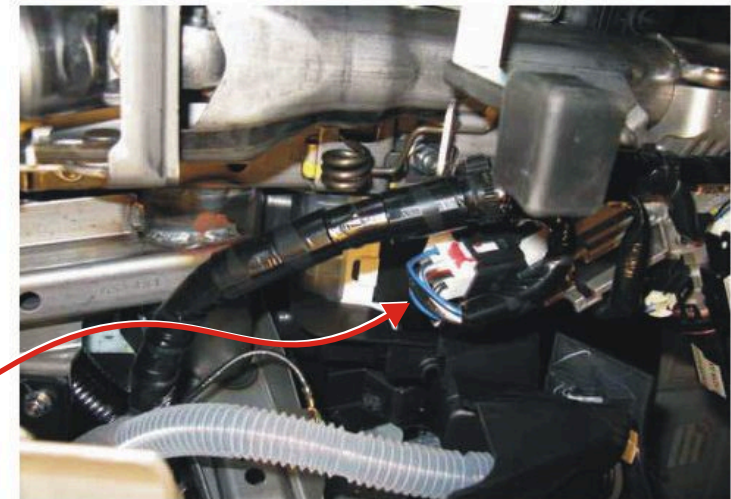
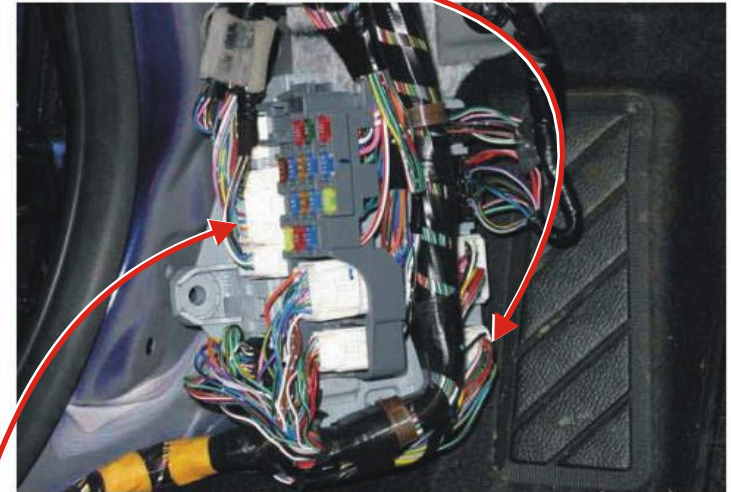
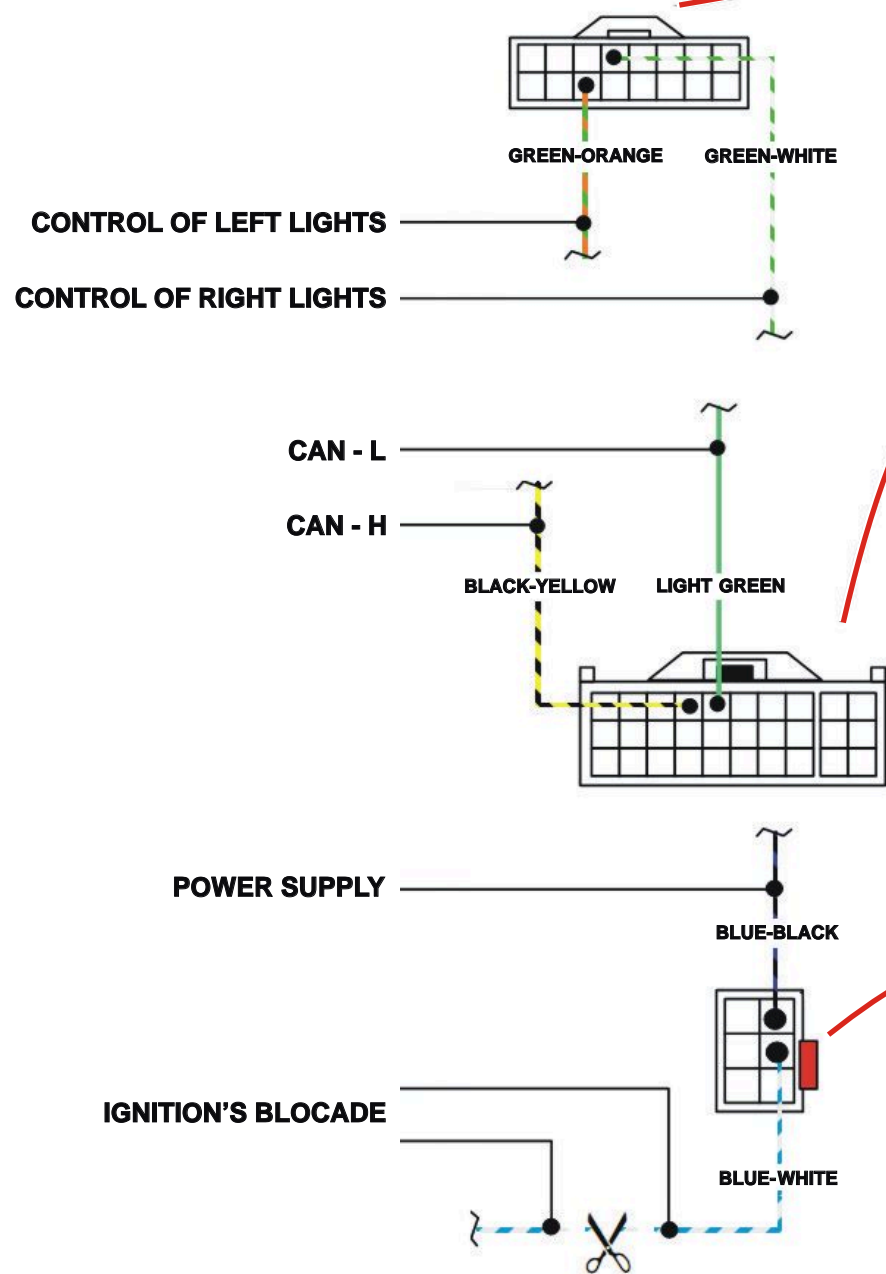


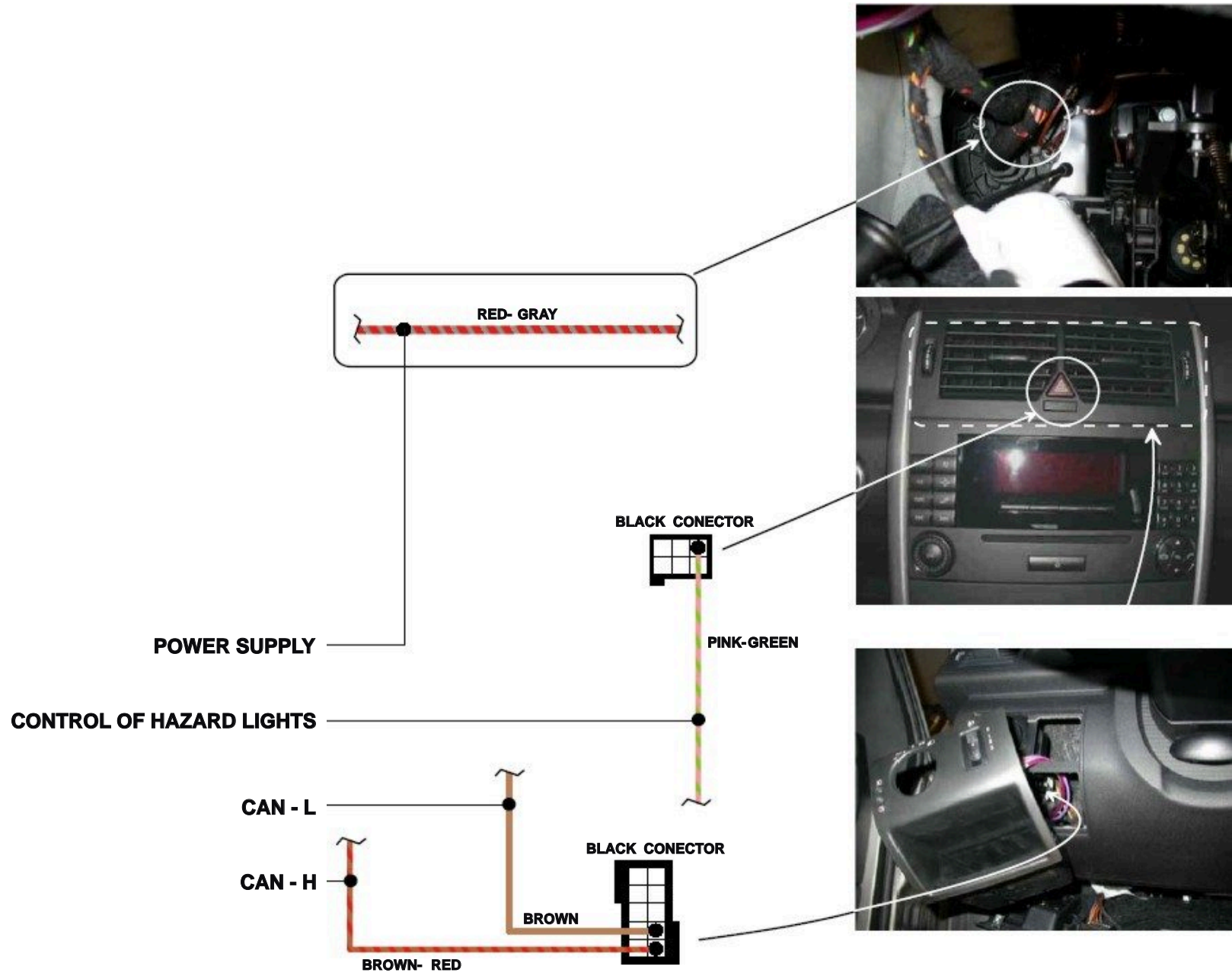


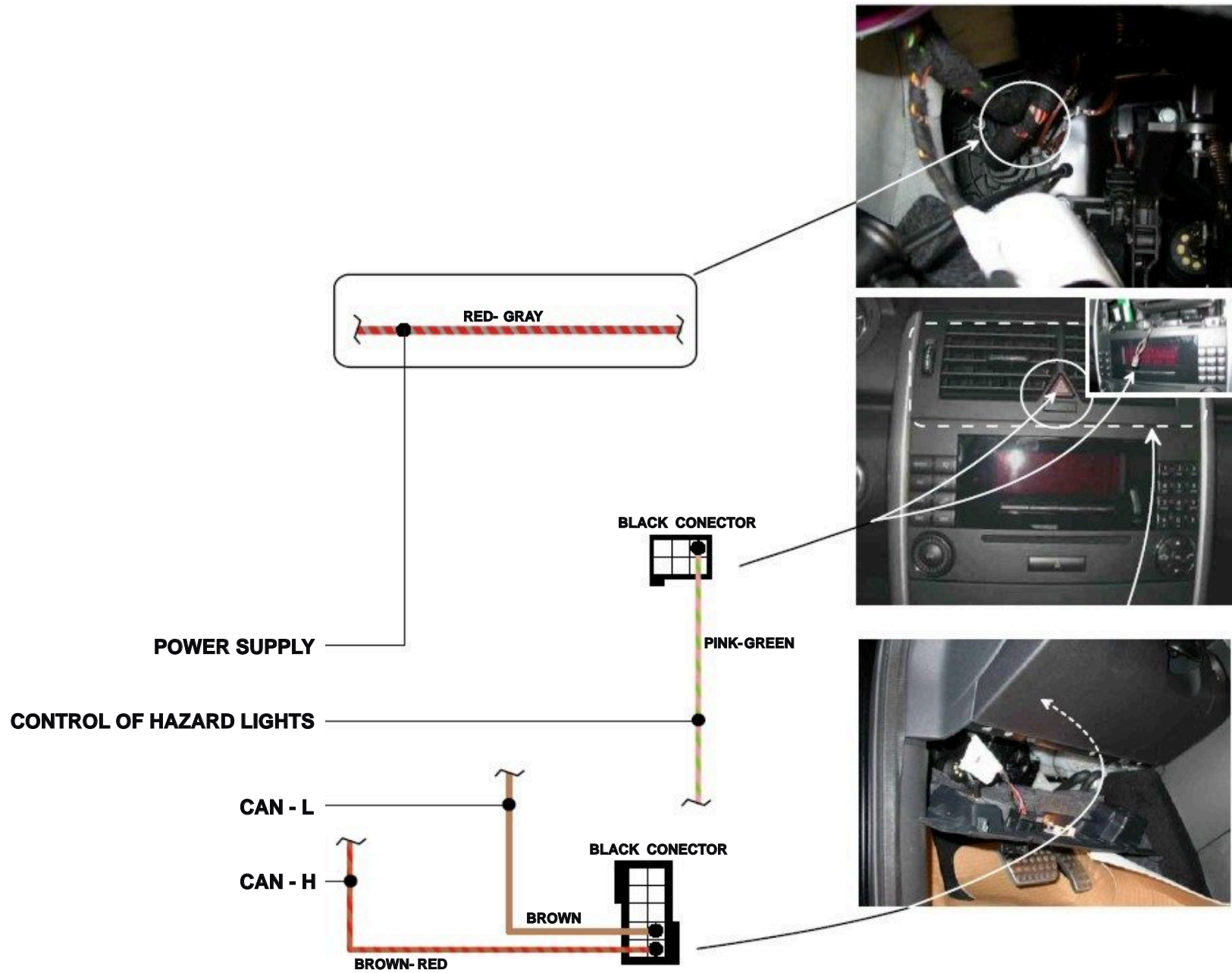


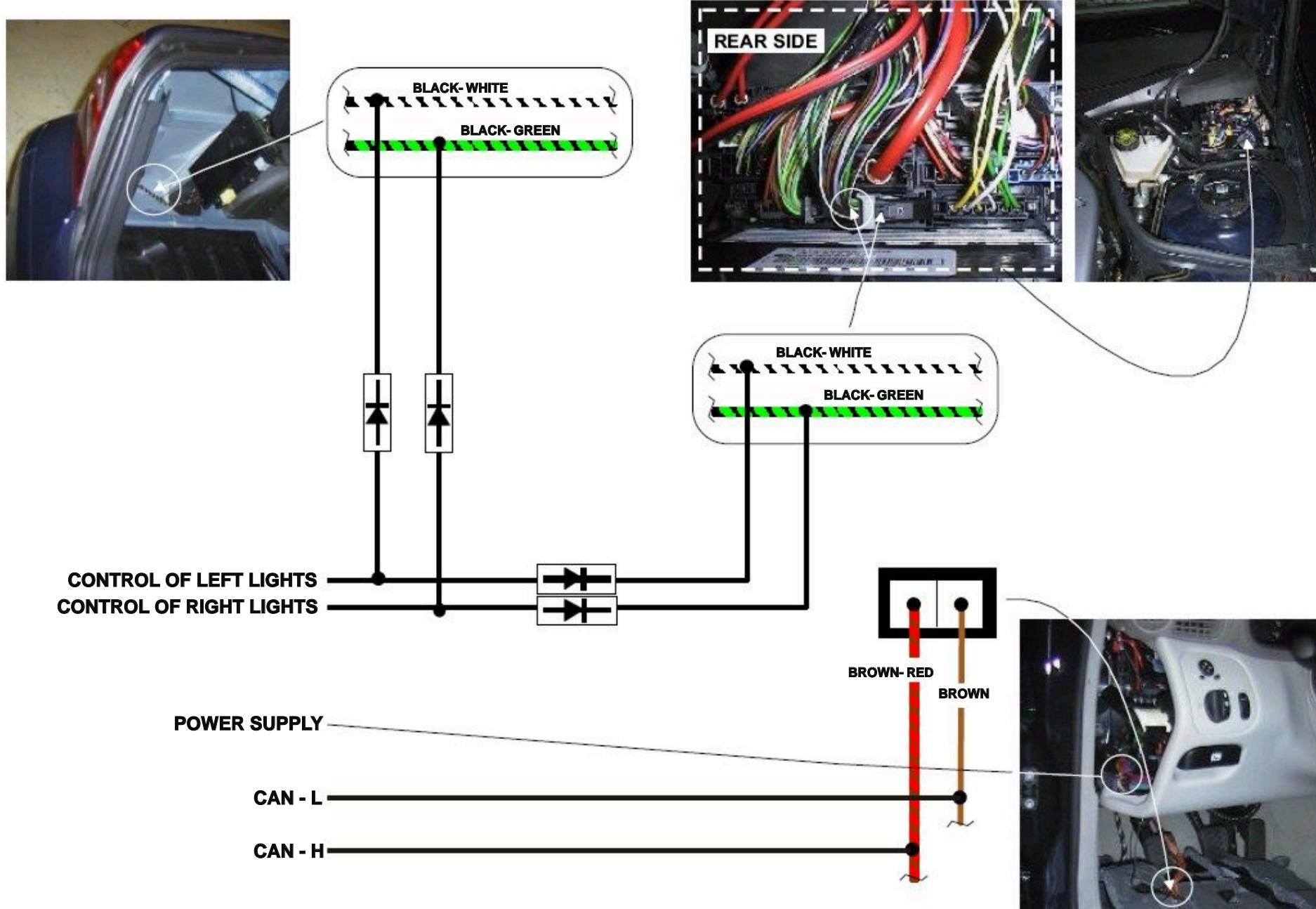


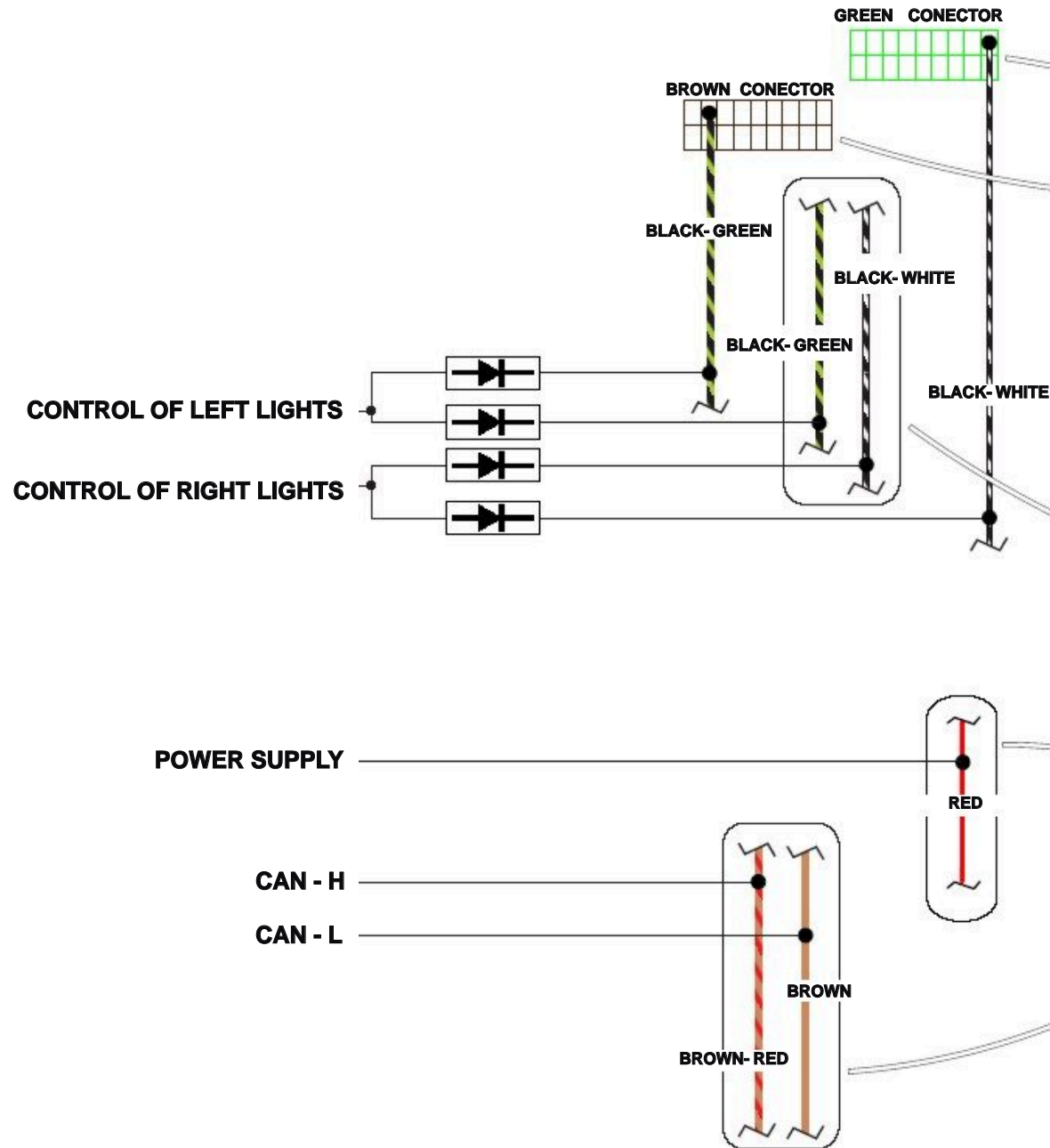


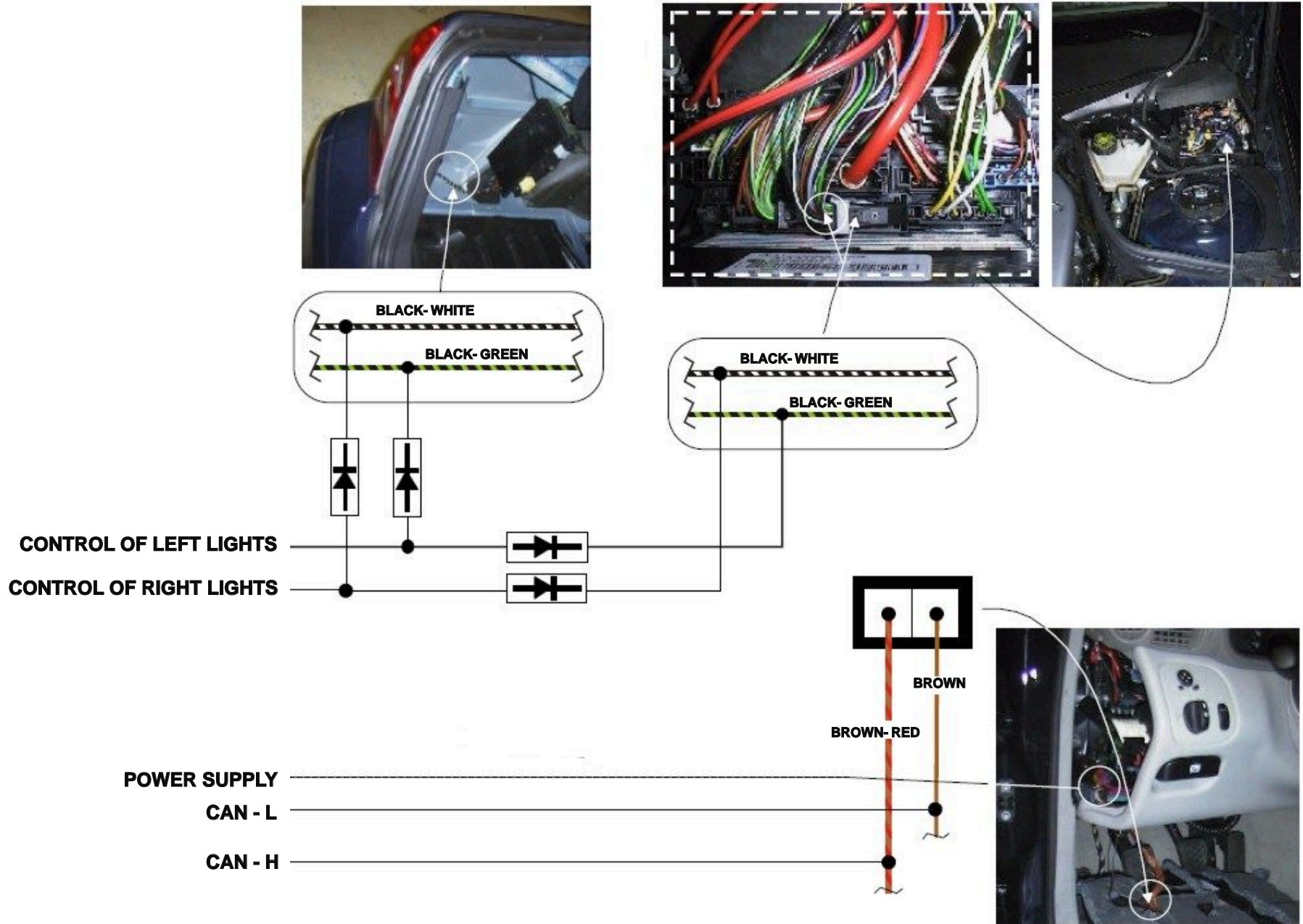


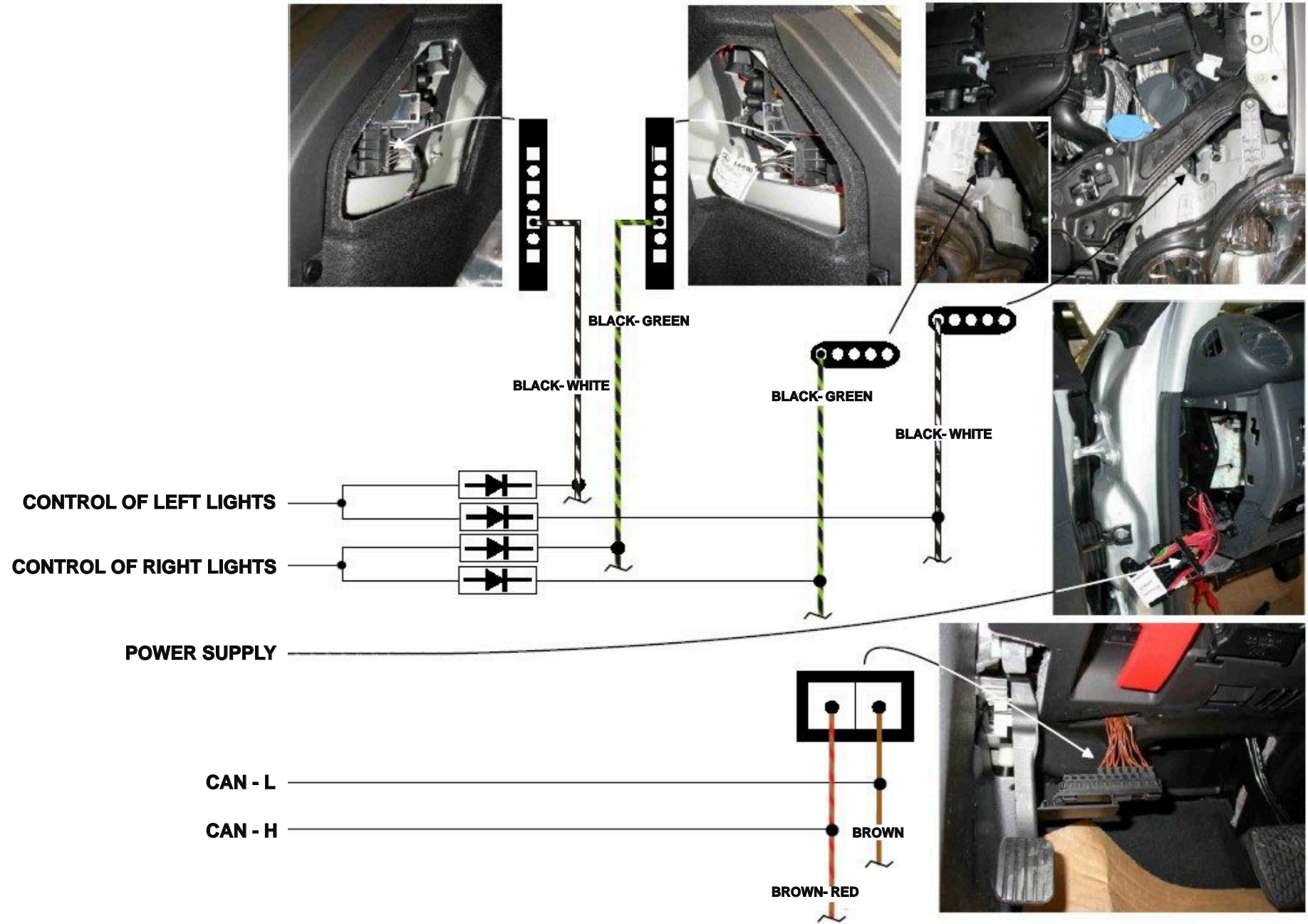


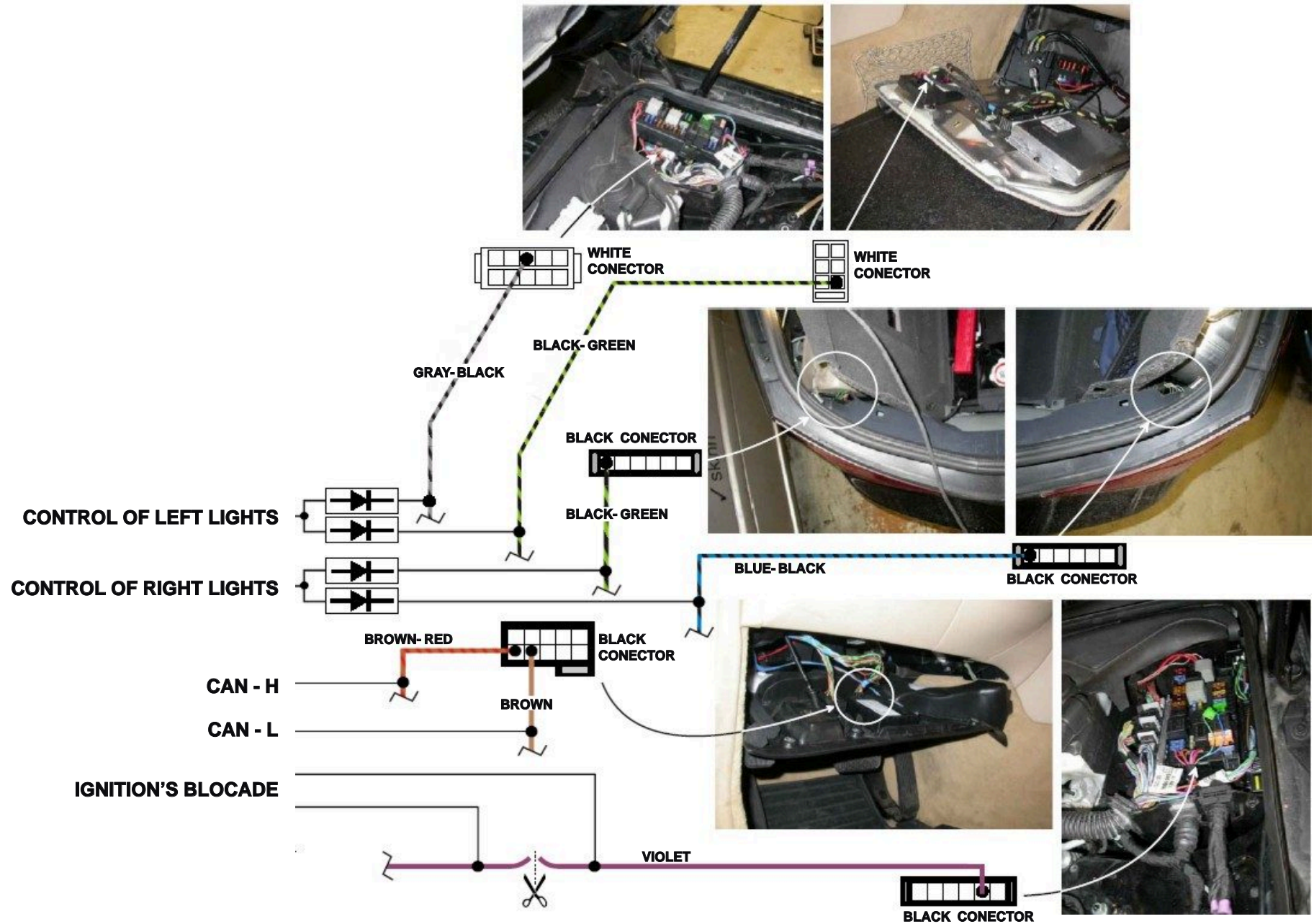


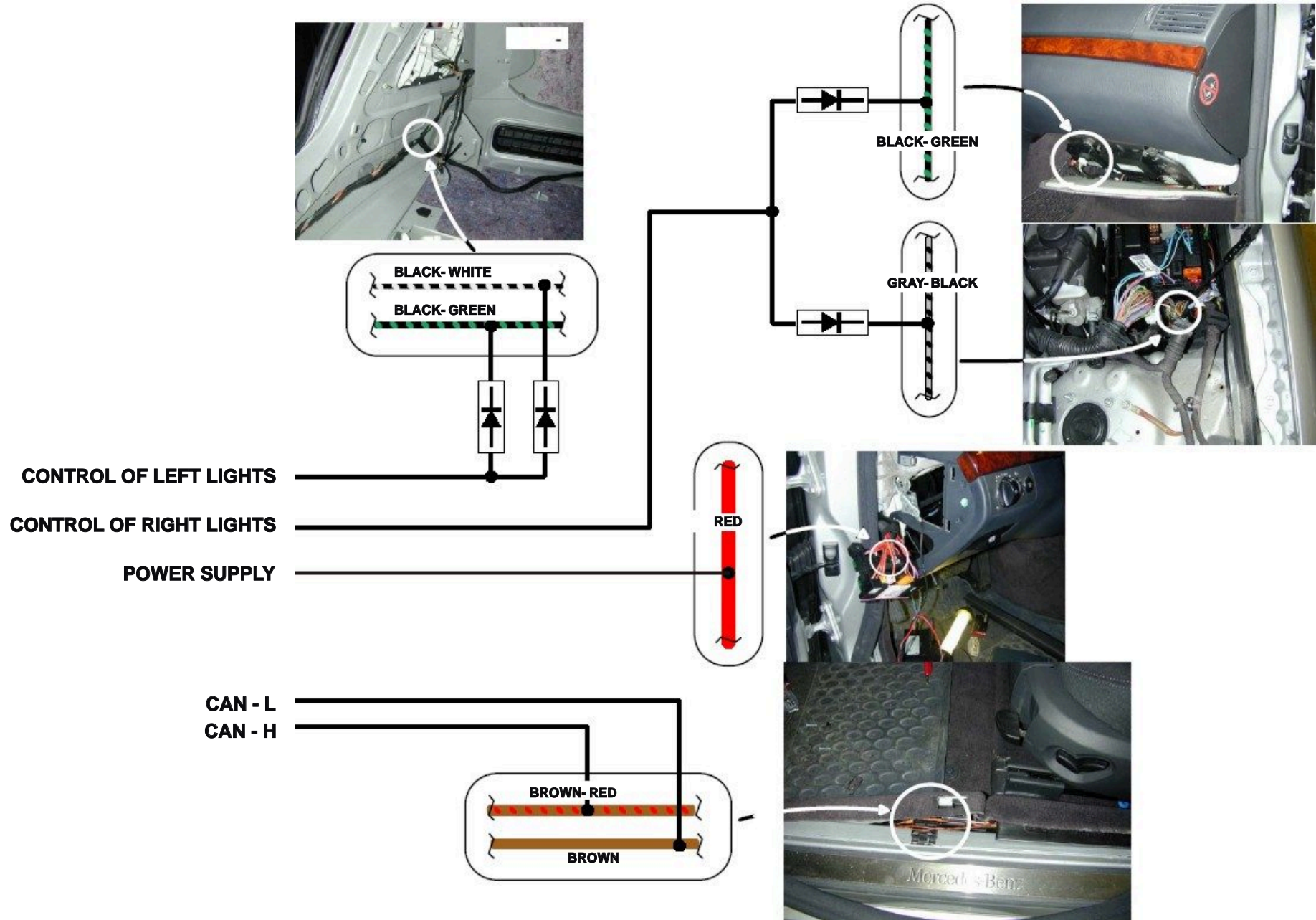


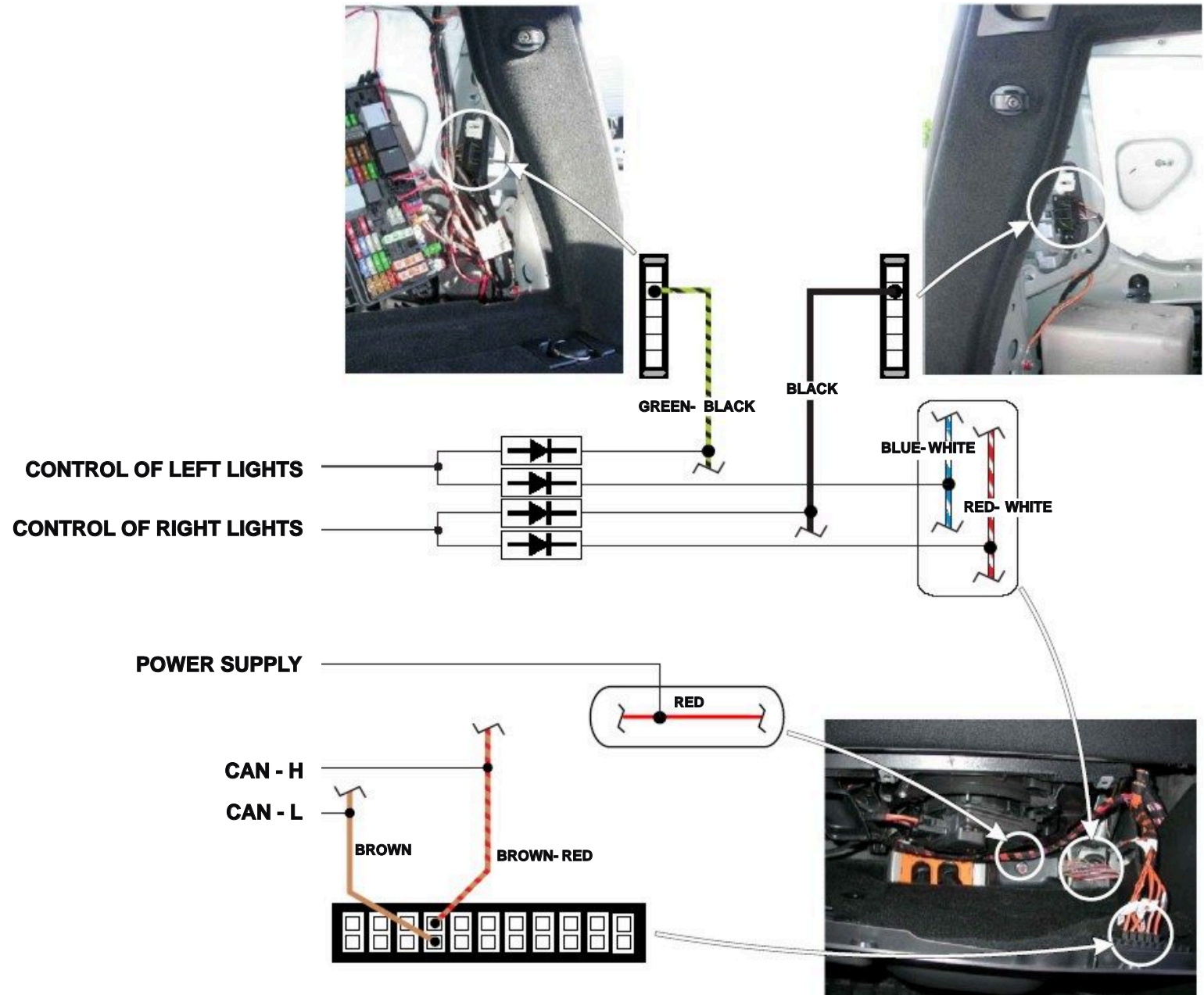


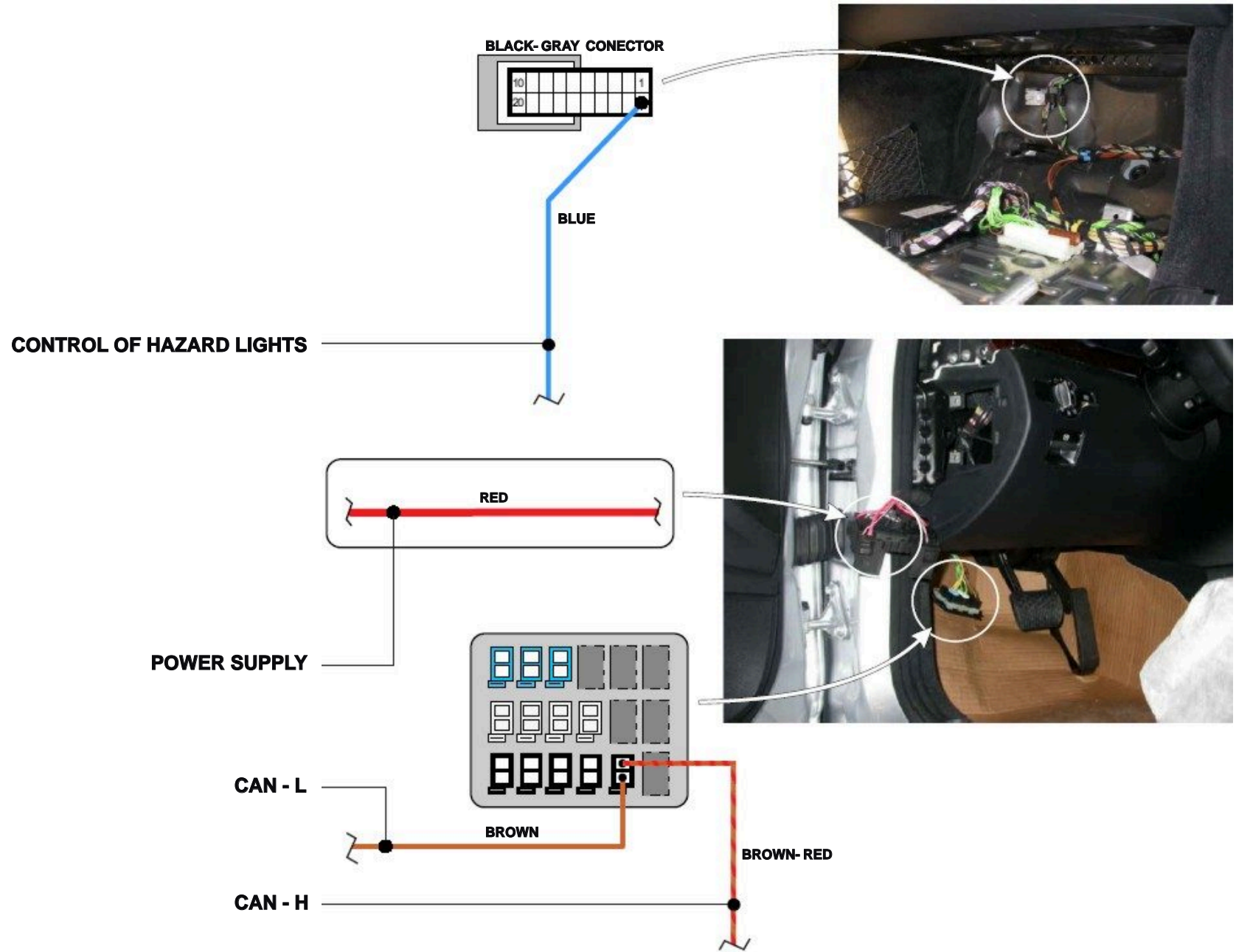


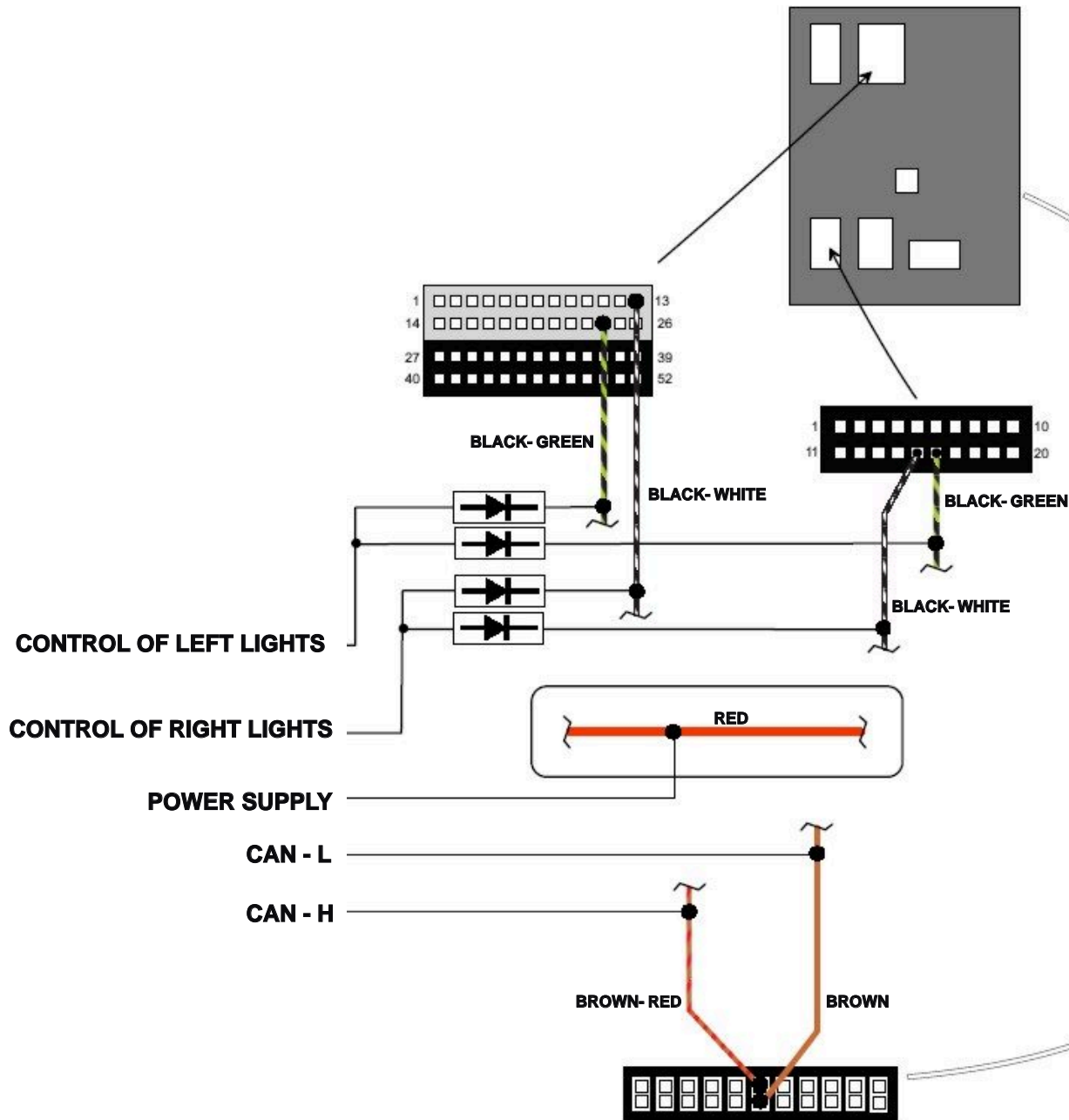


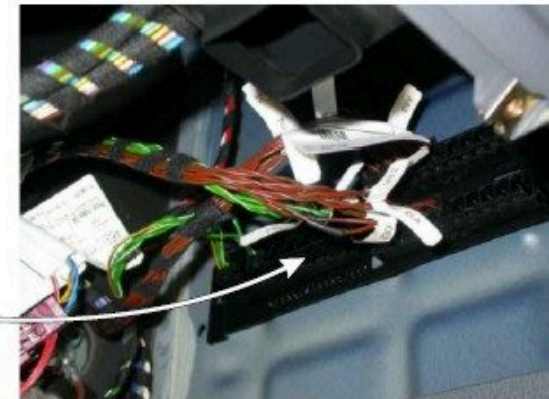
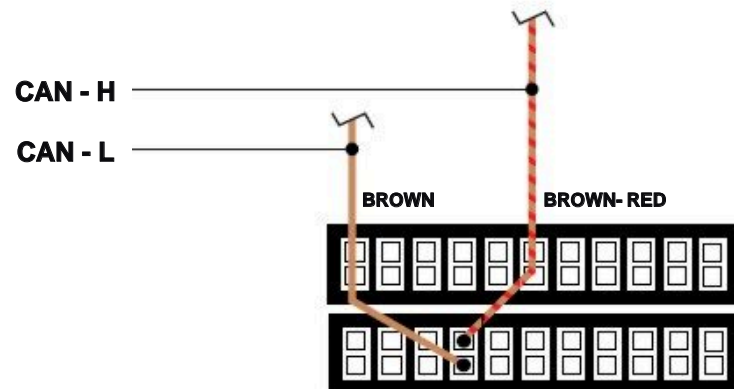
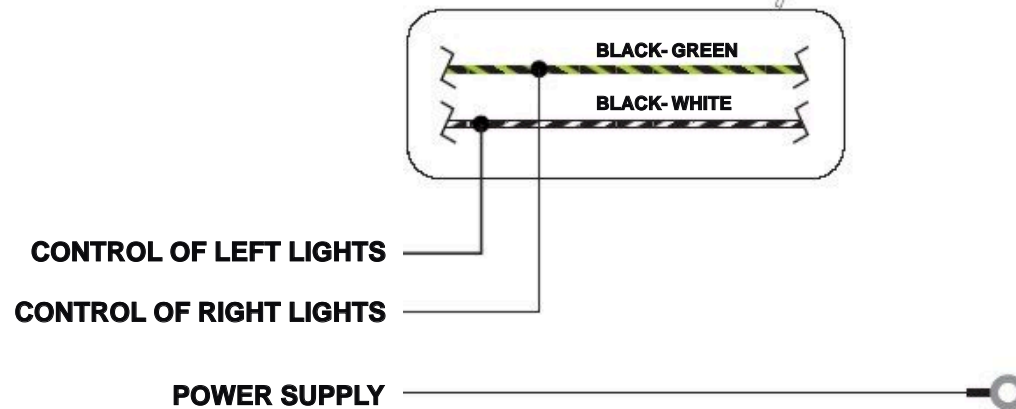
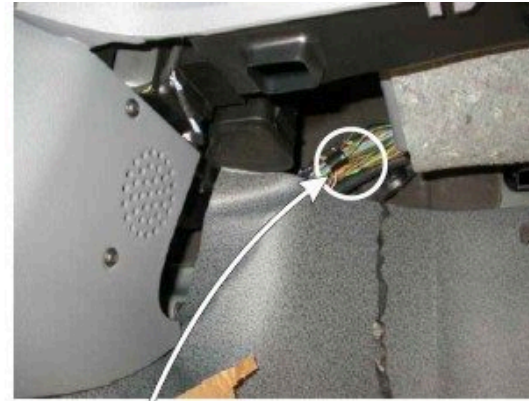


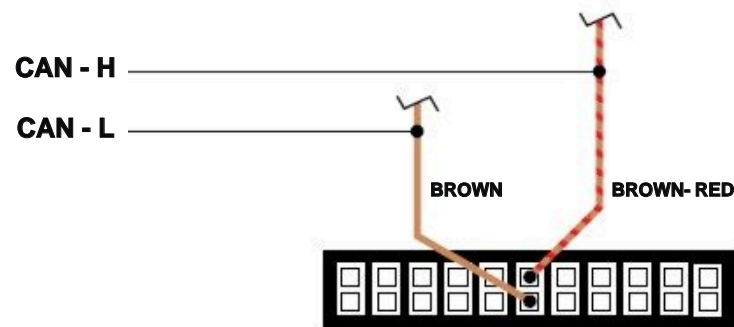
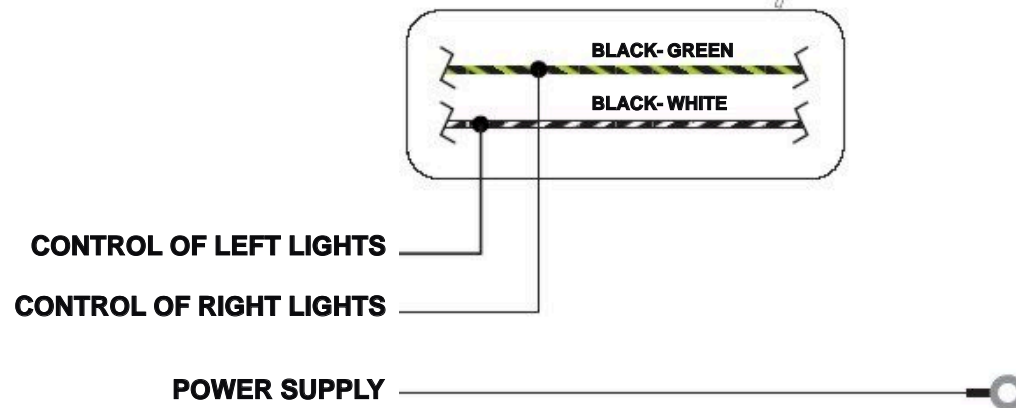
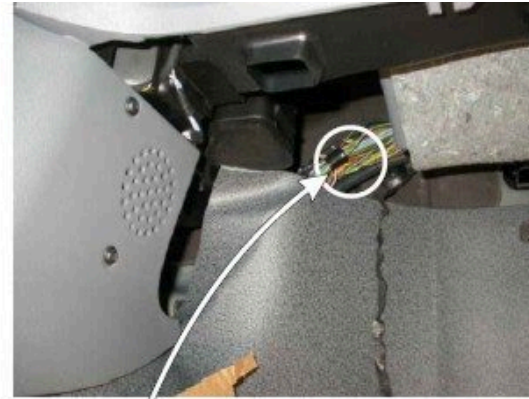


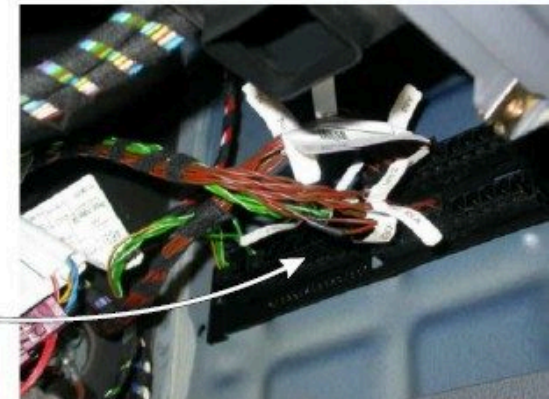
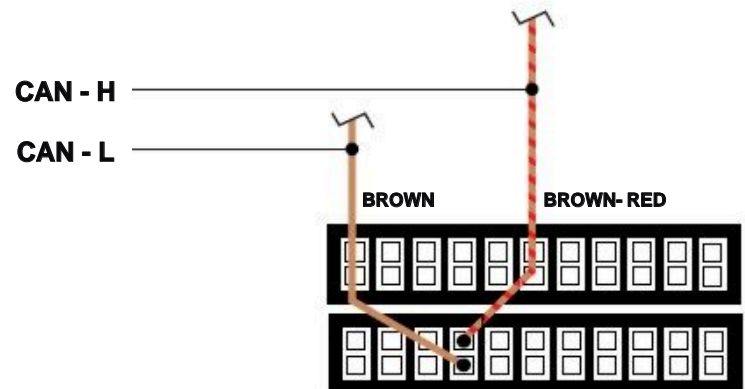
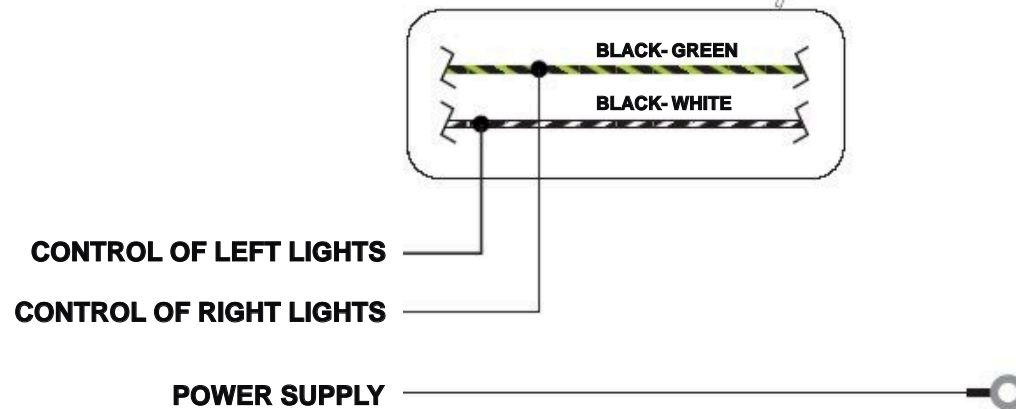
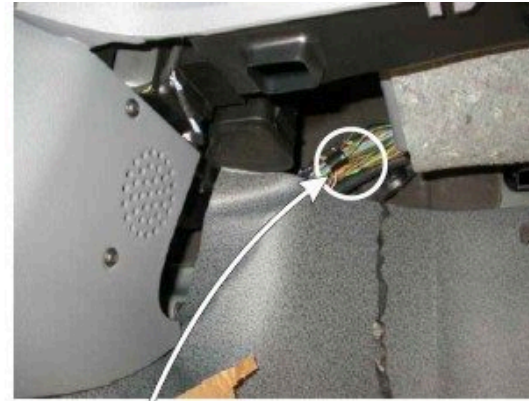


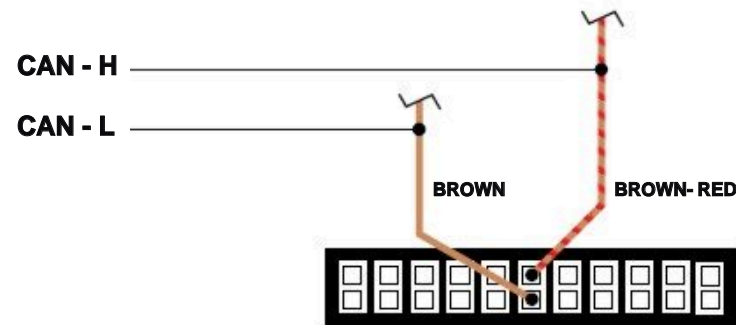
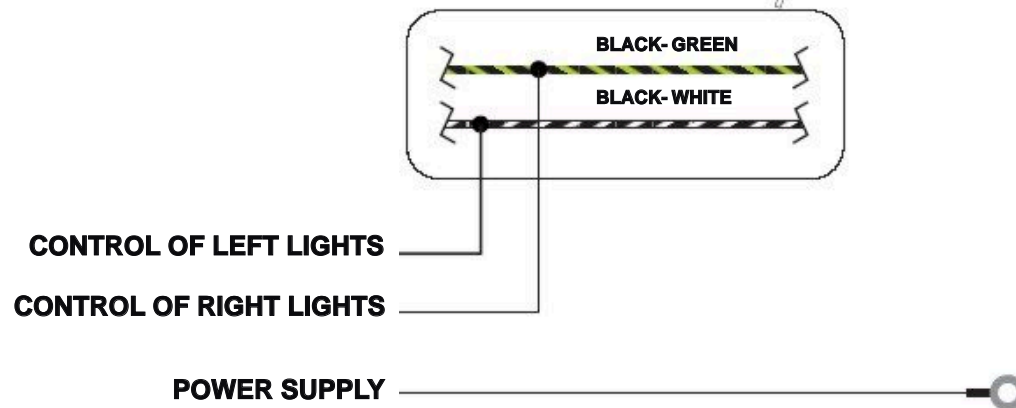


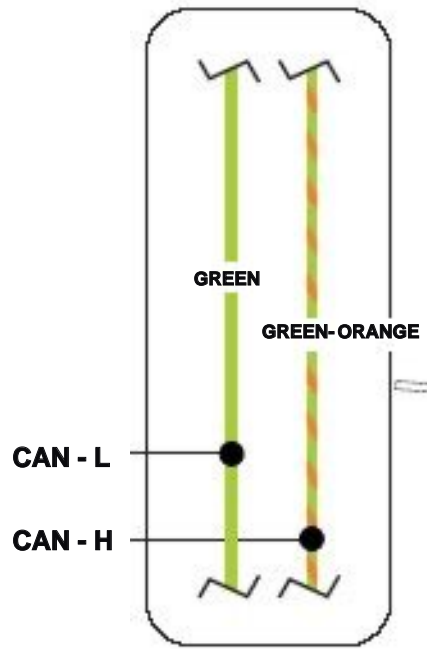


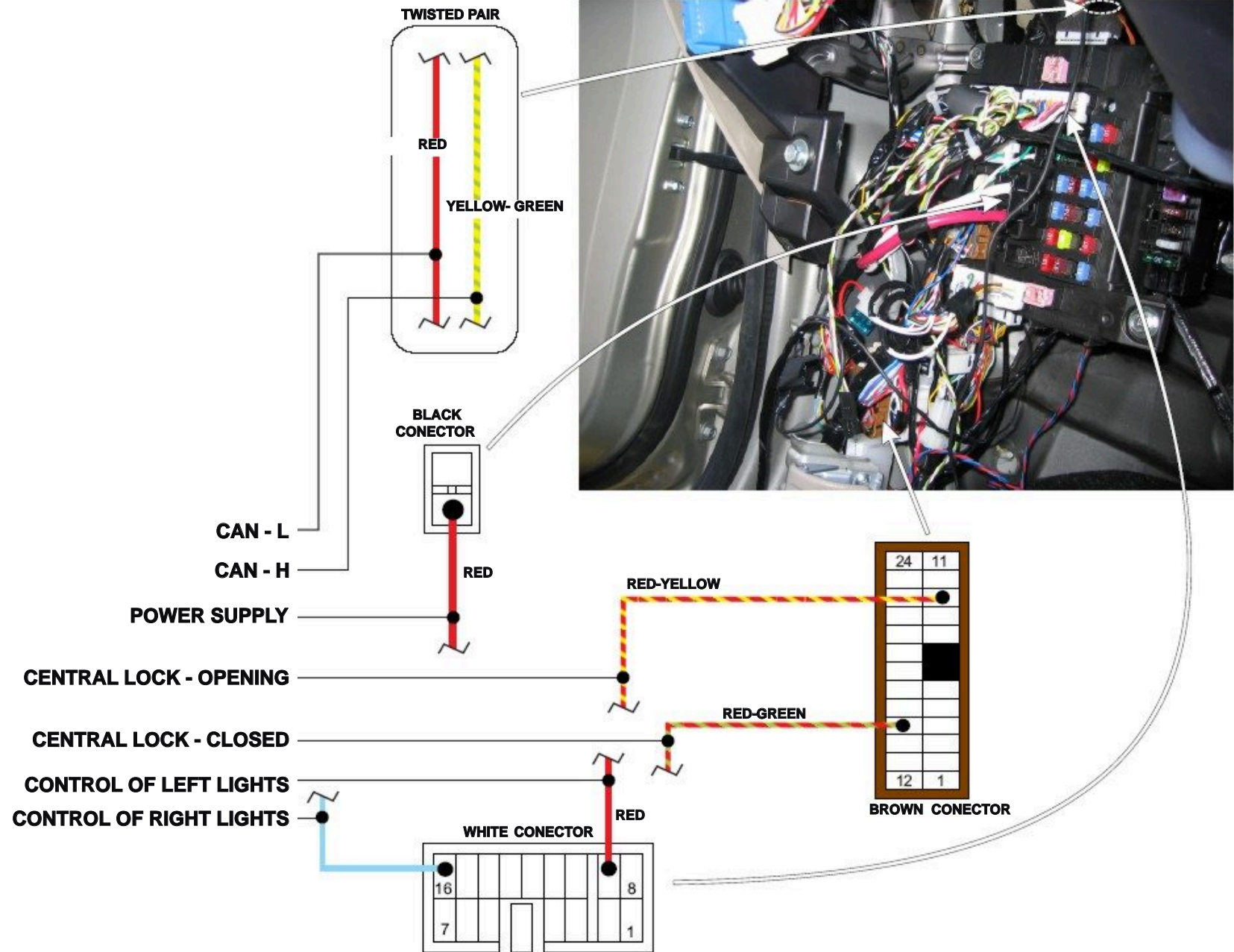


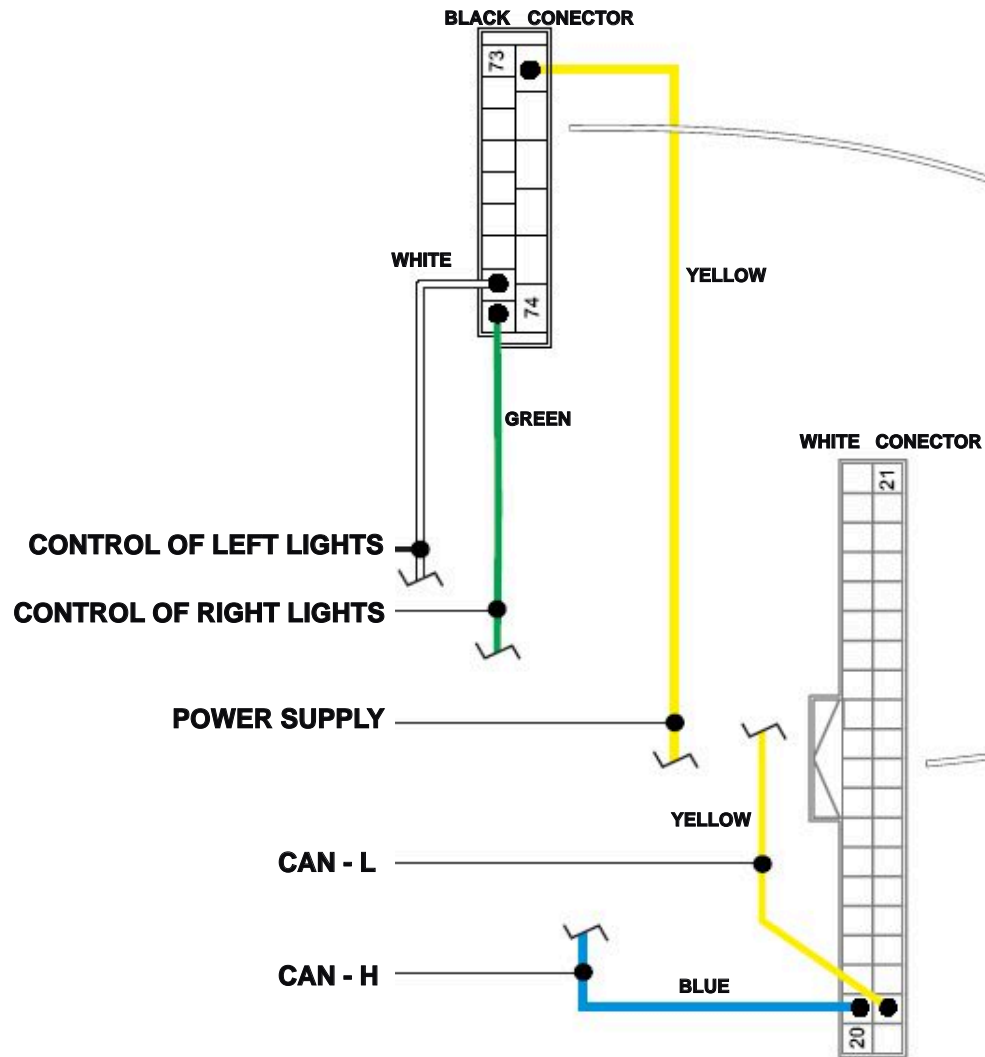


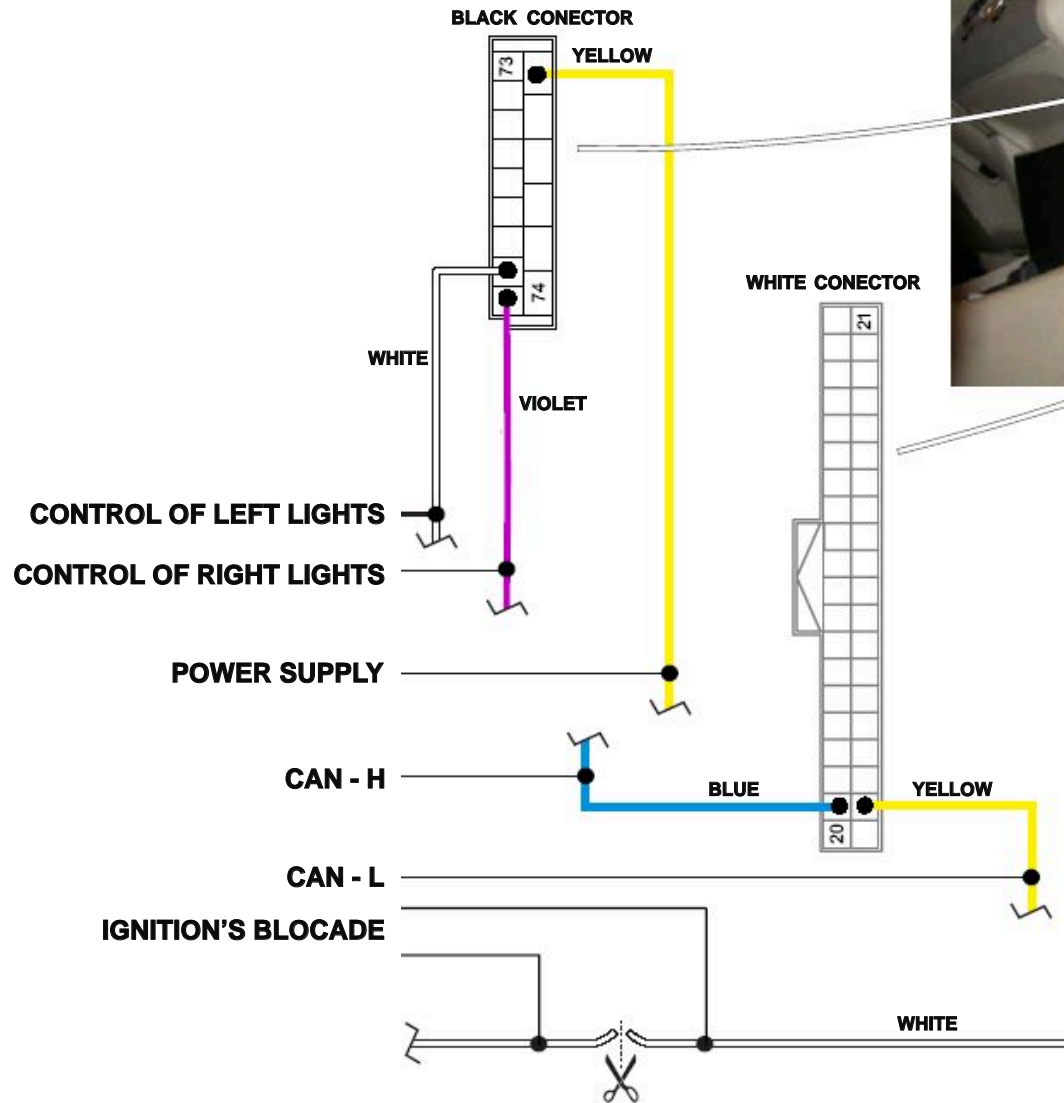


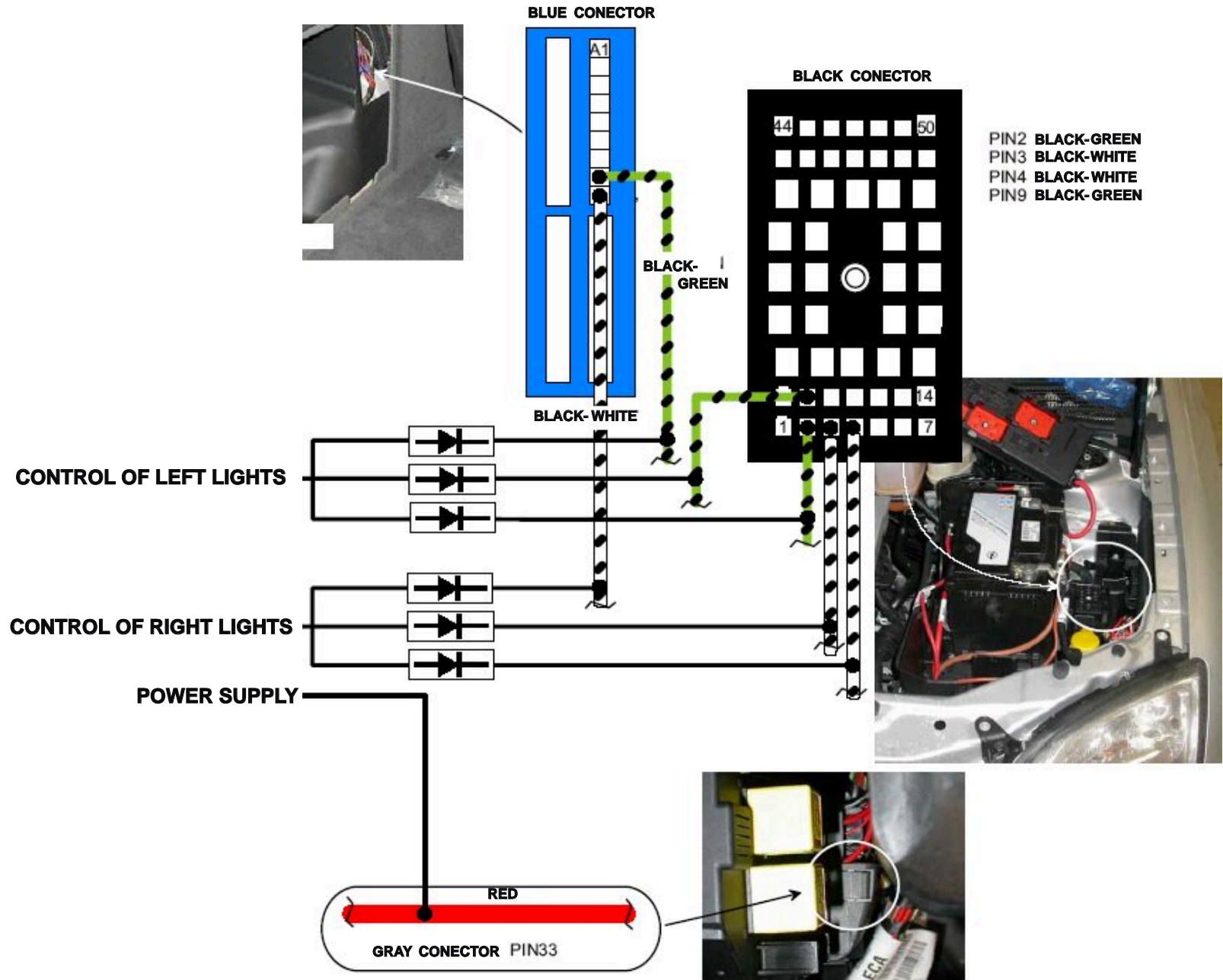


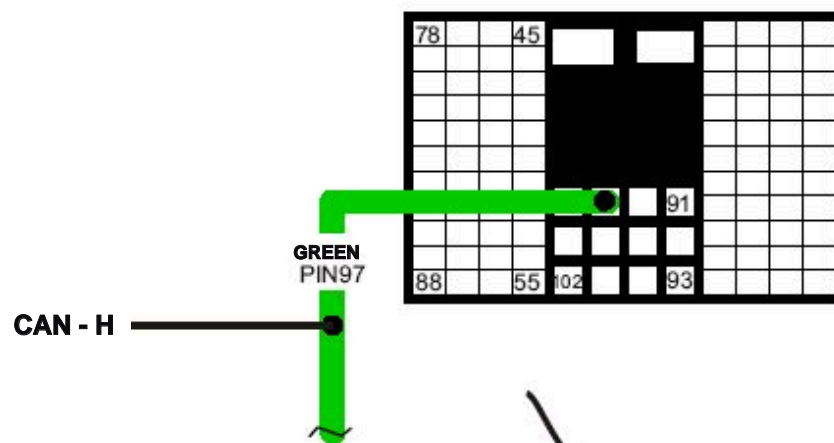


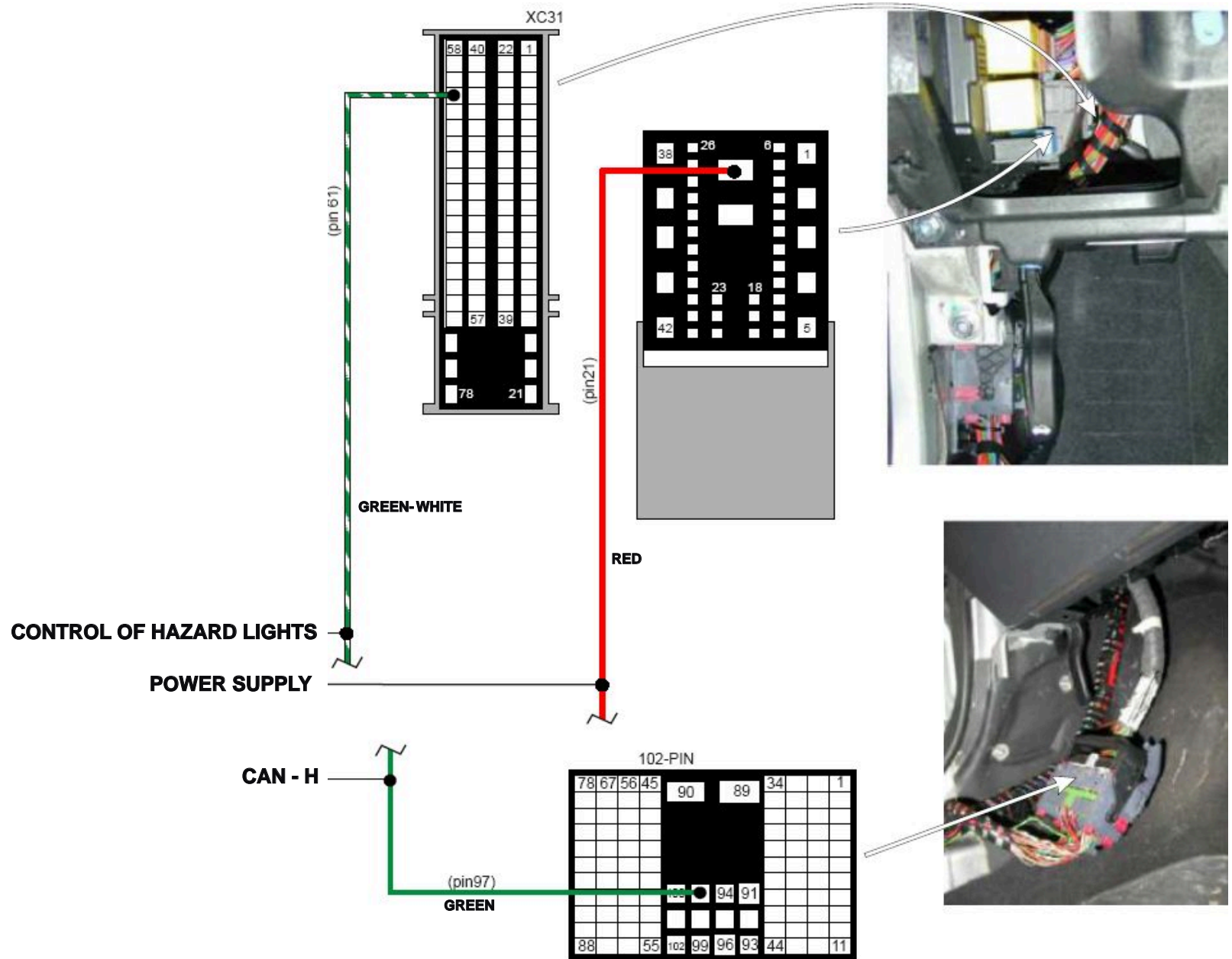


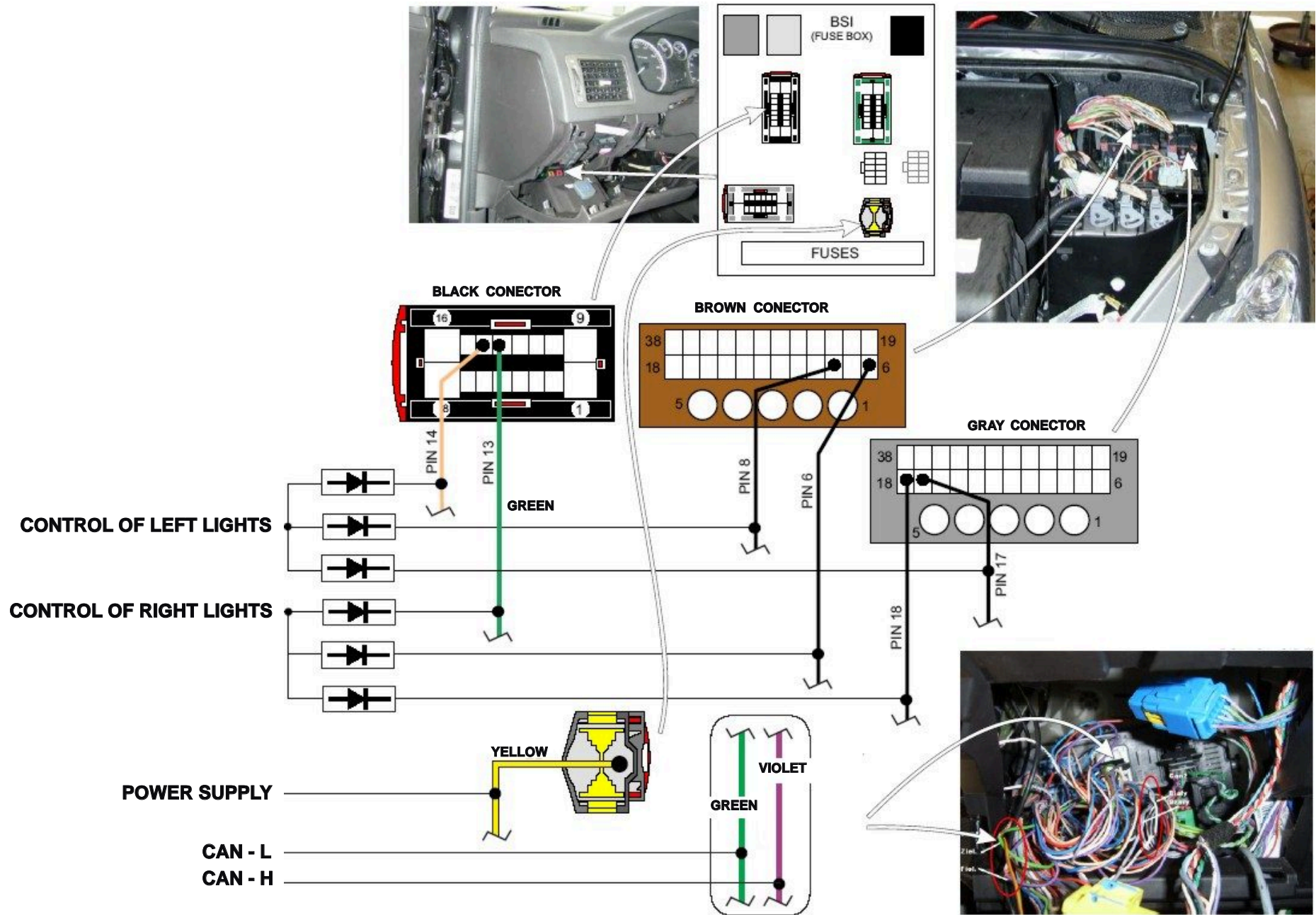


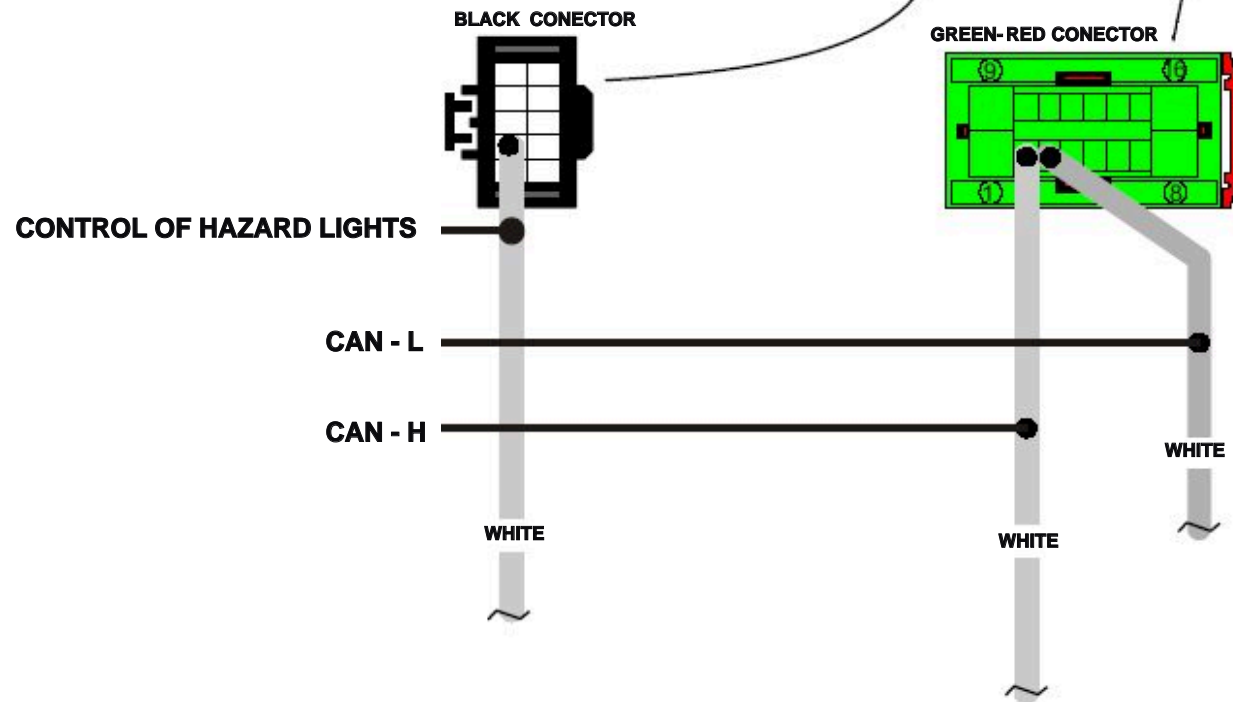
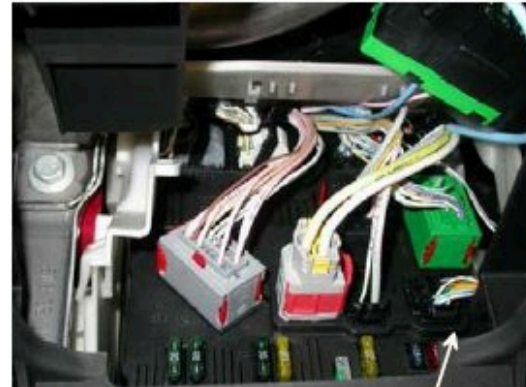


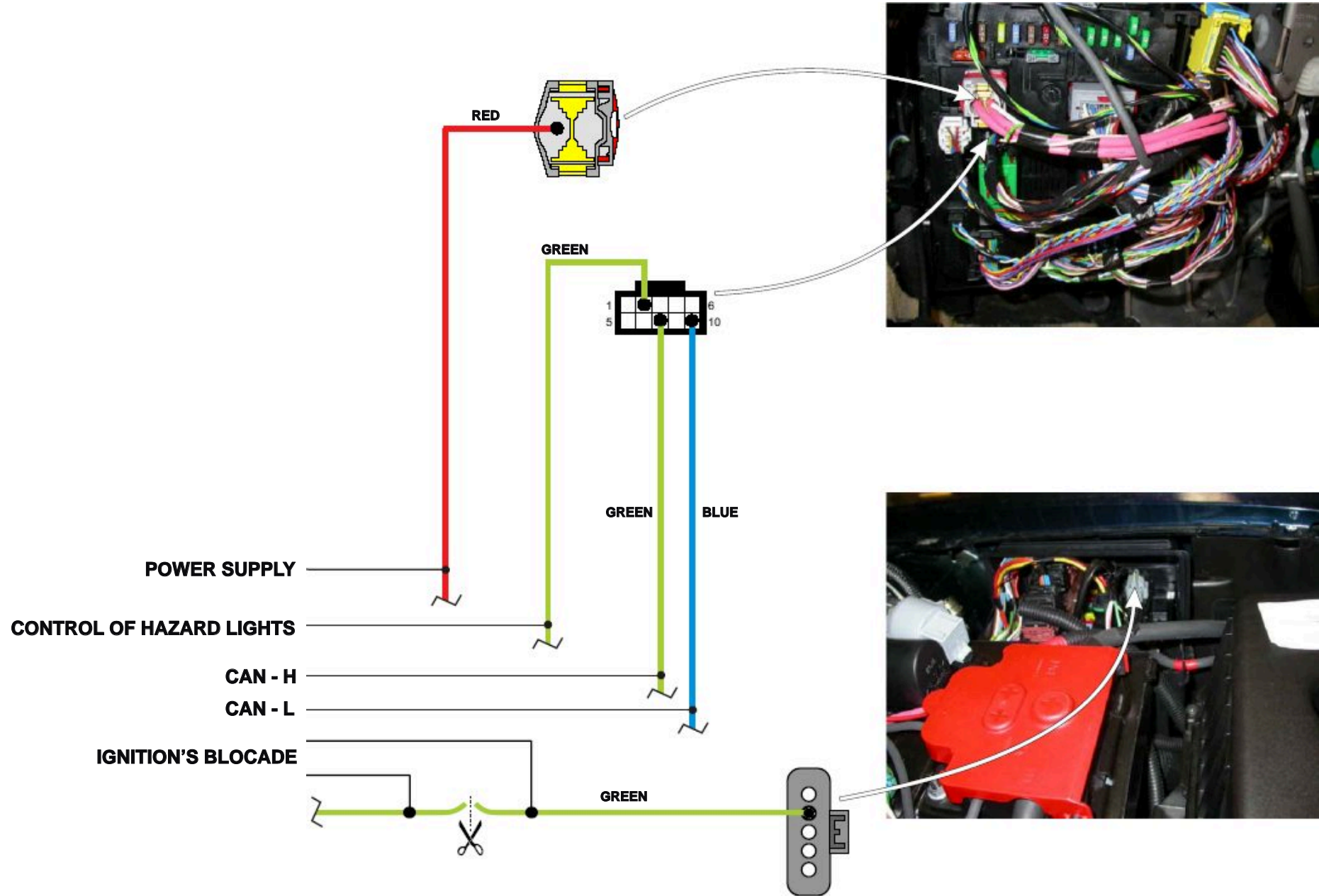


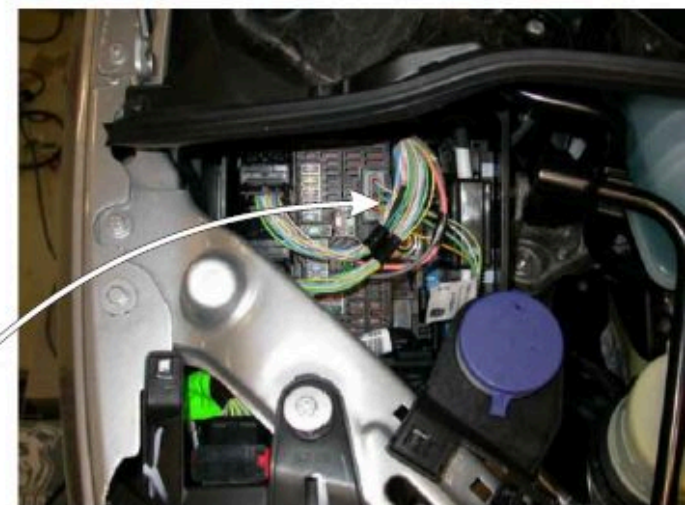
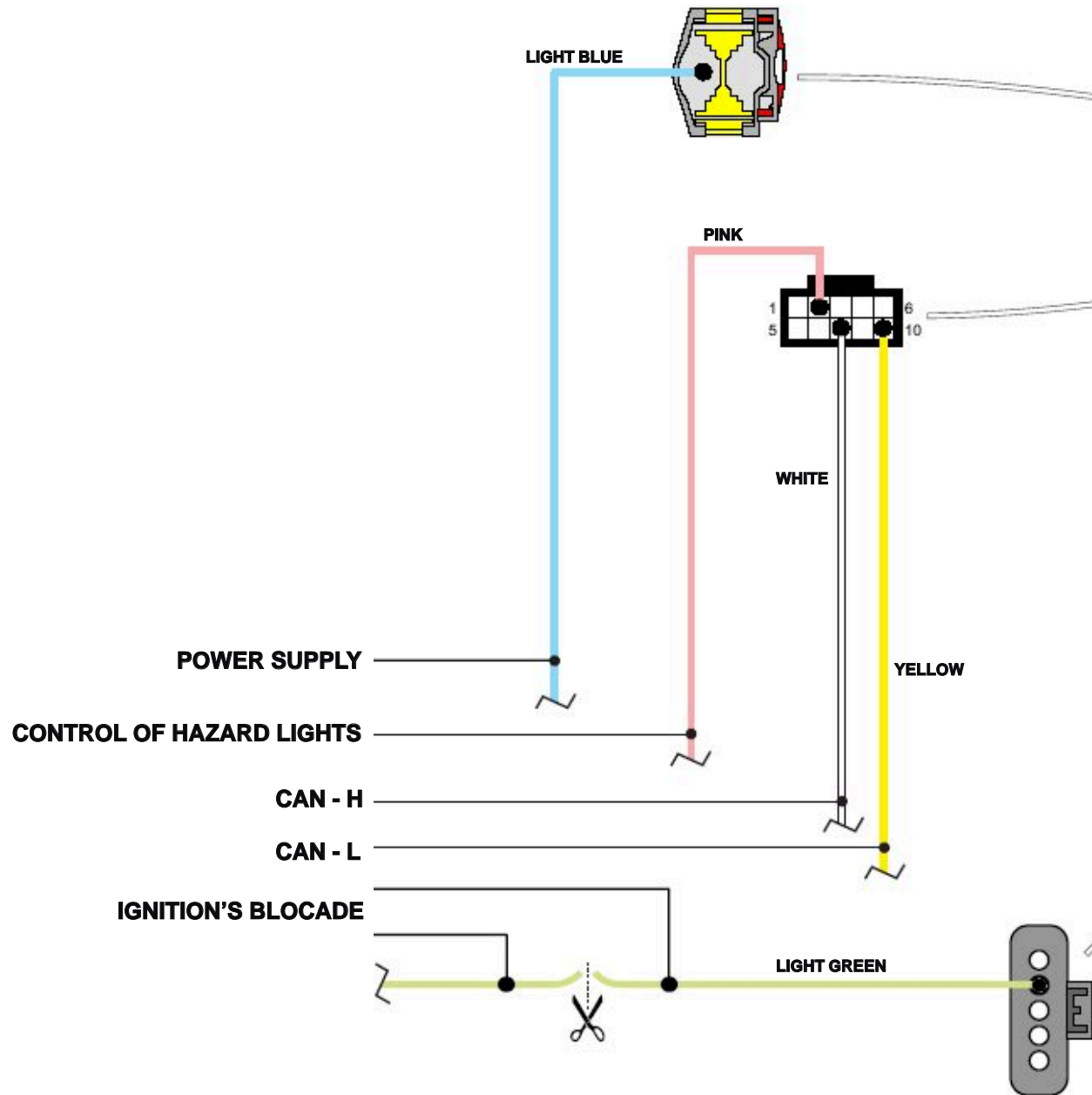


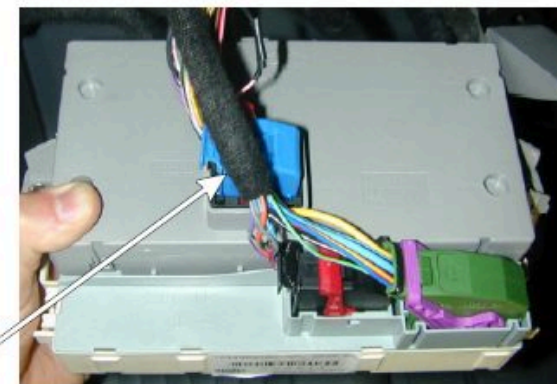
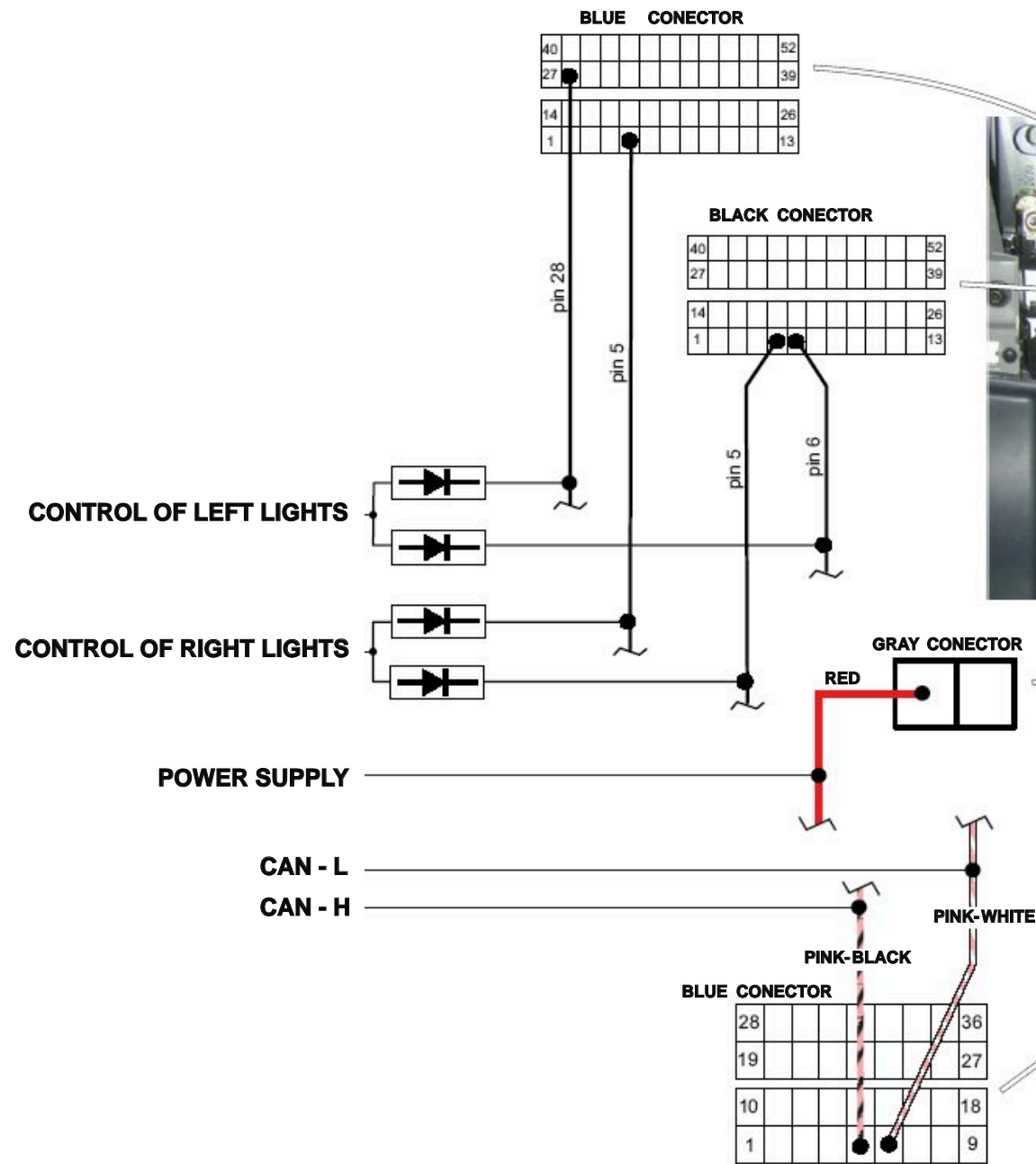


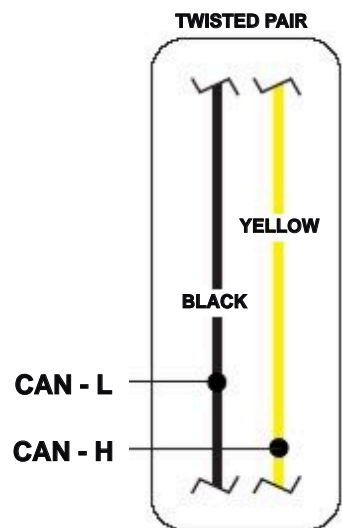


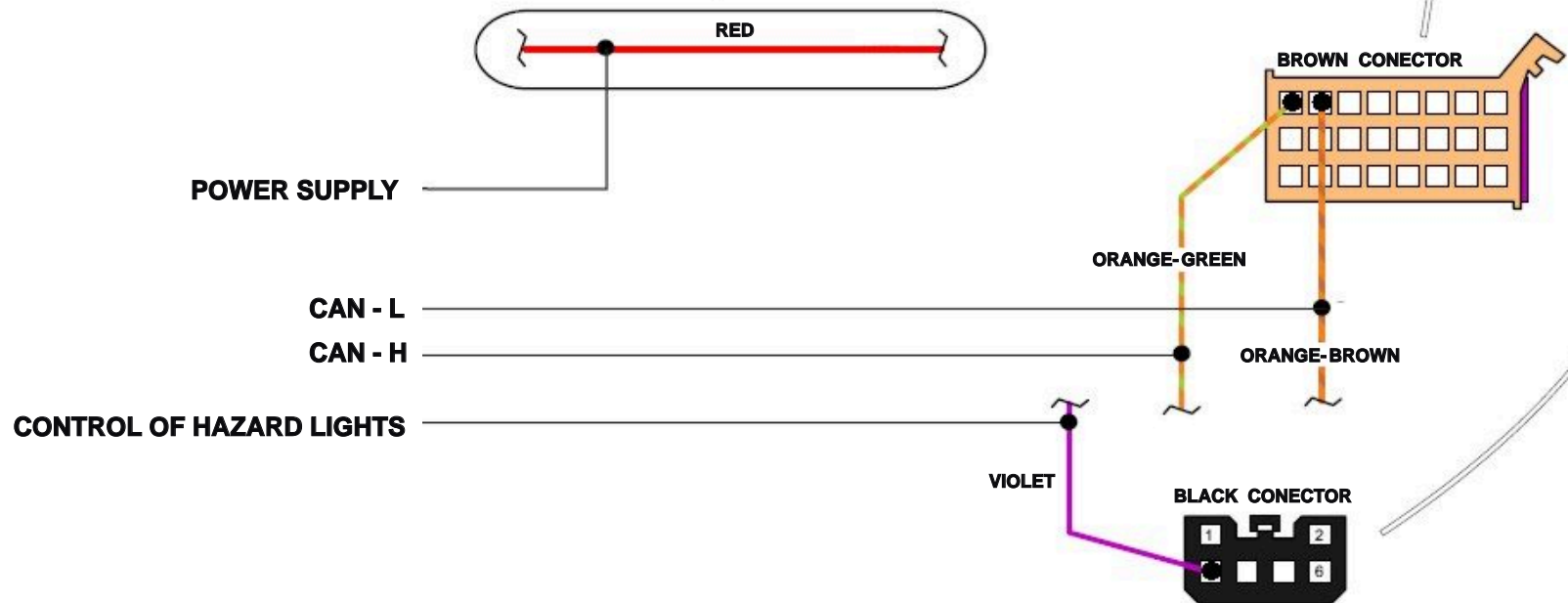


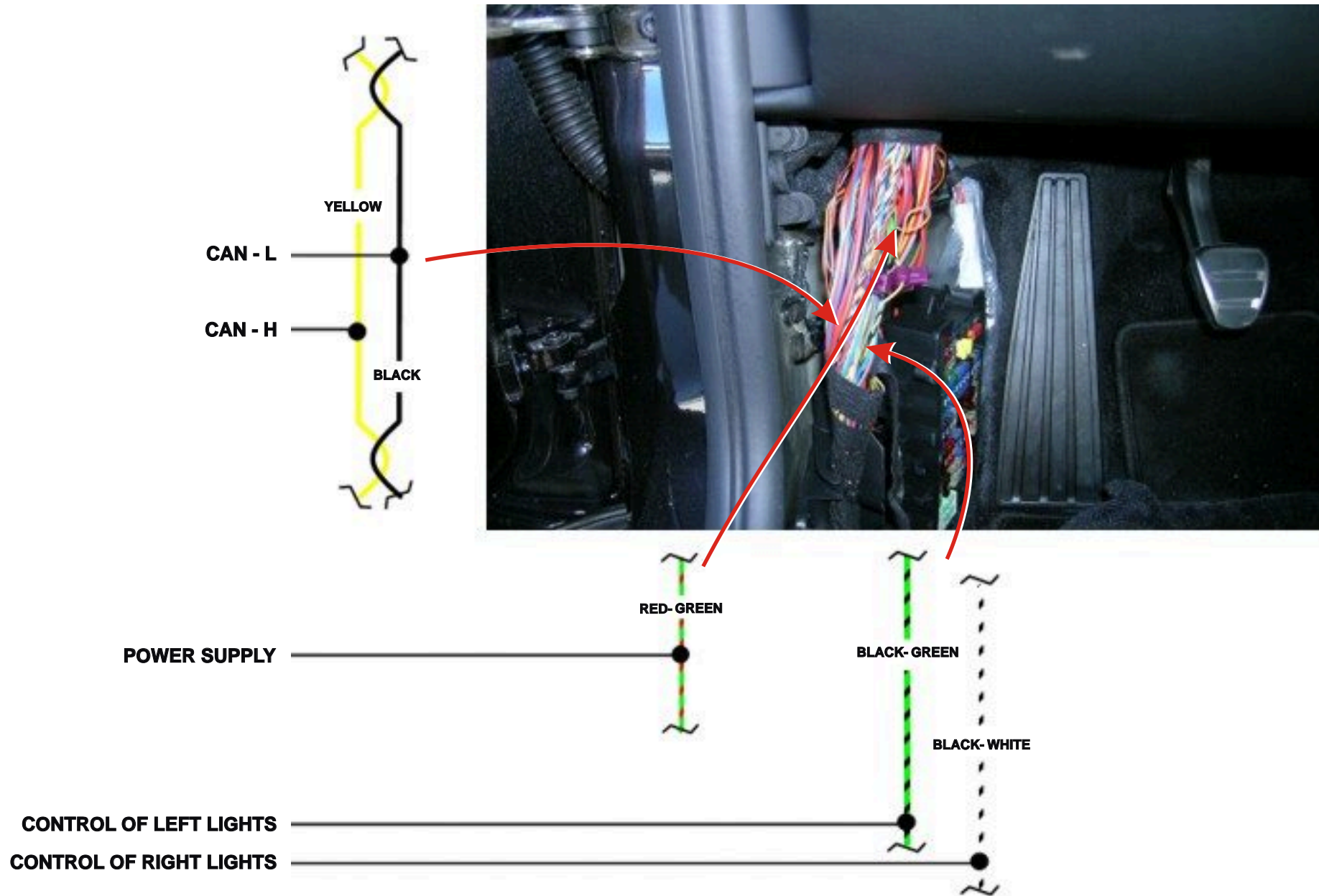


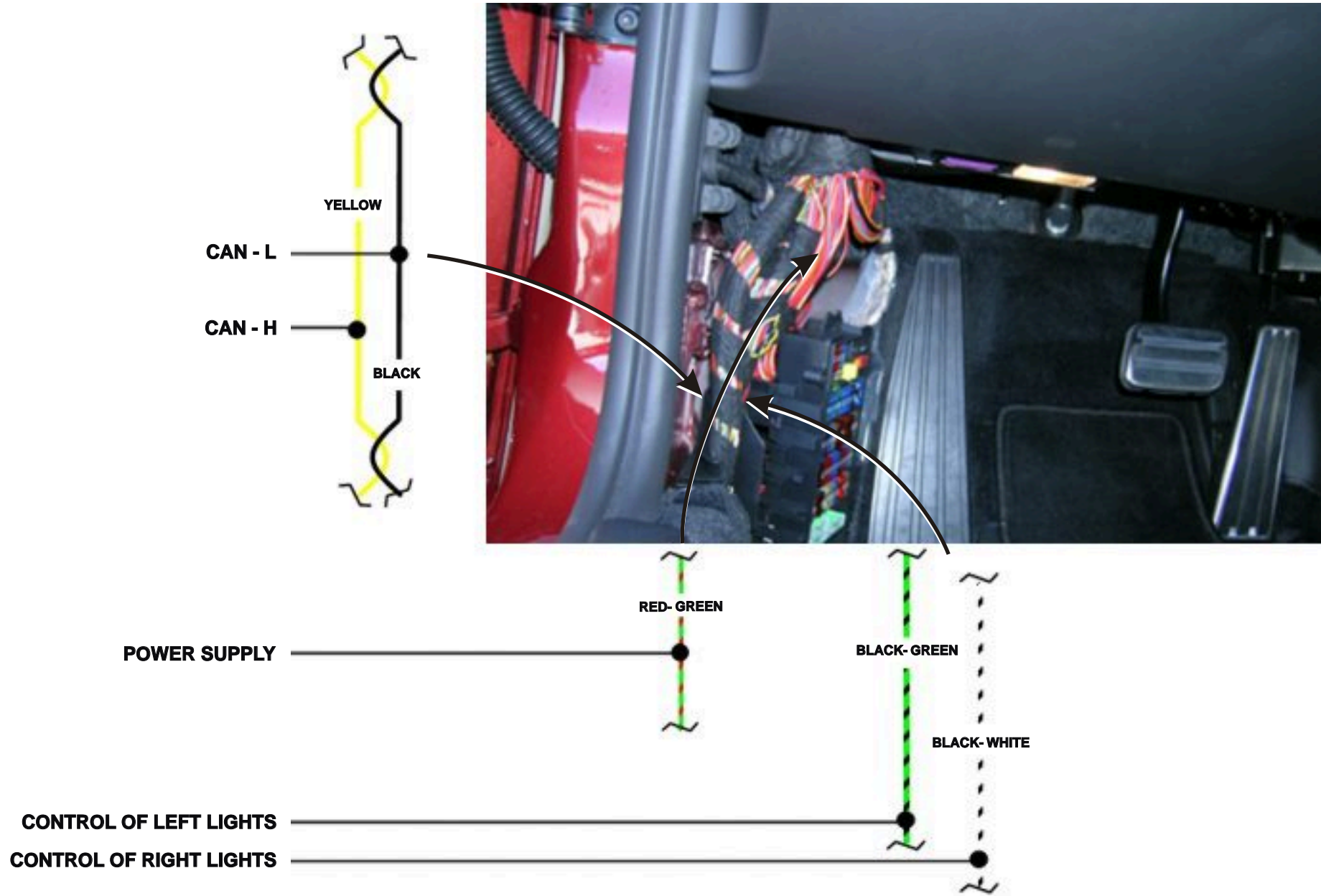






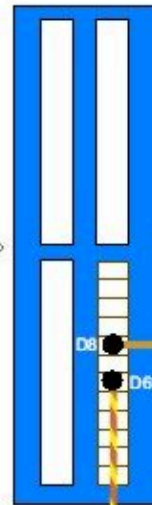




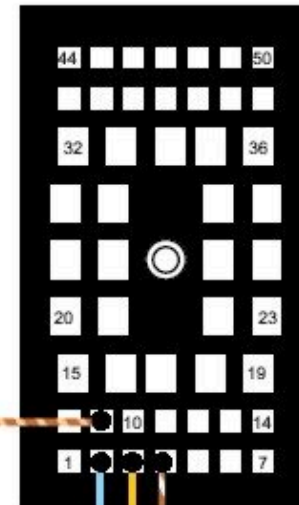




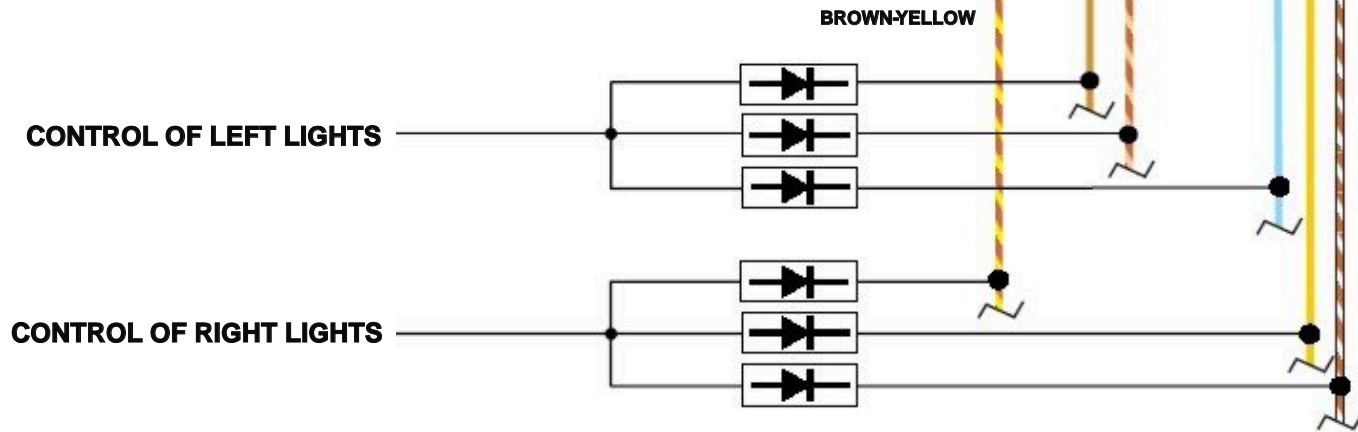
BLUE CONECTOR

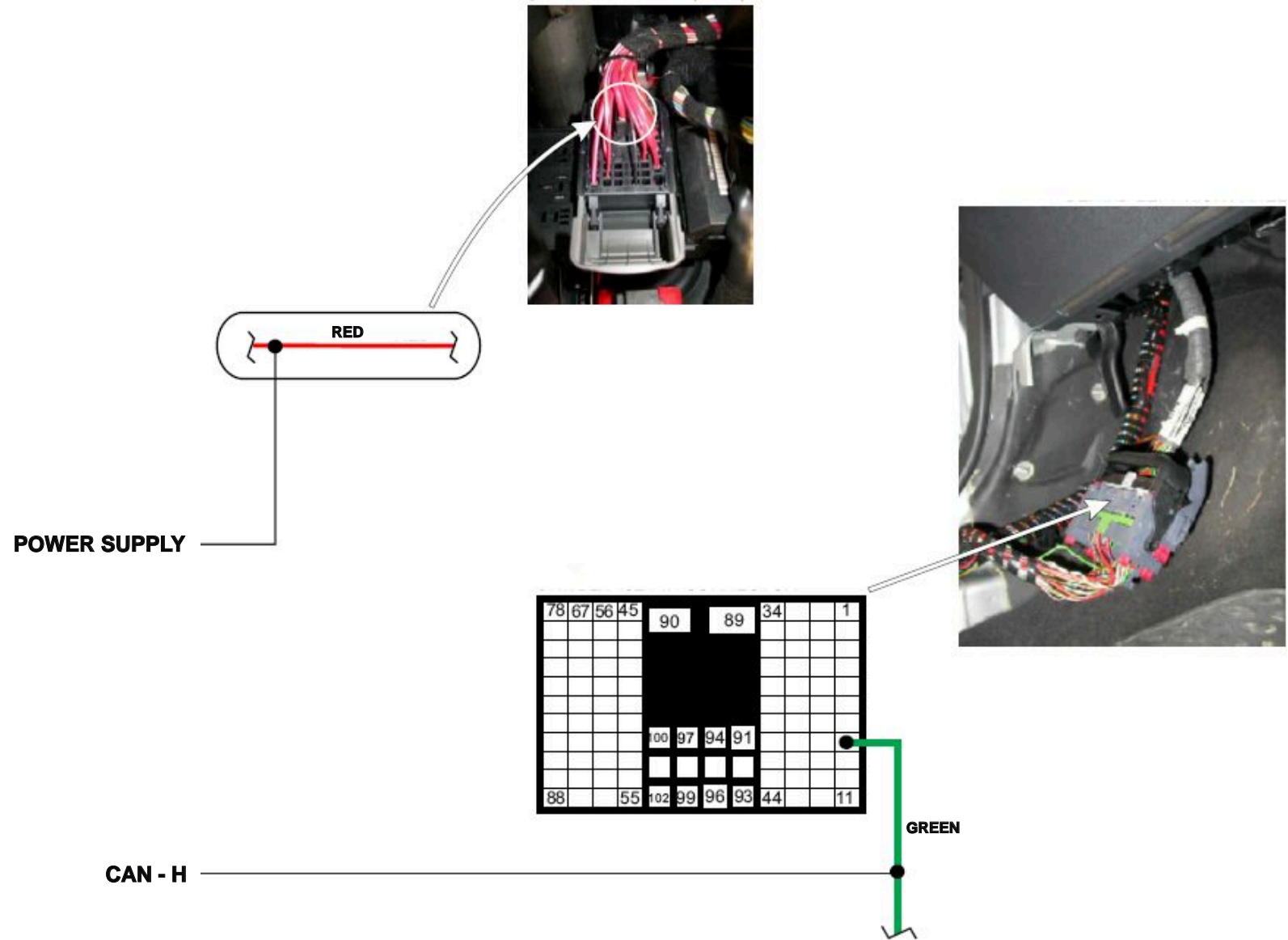


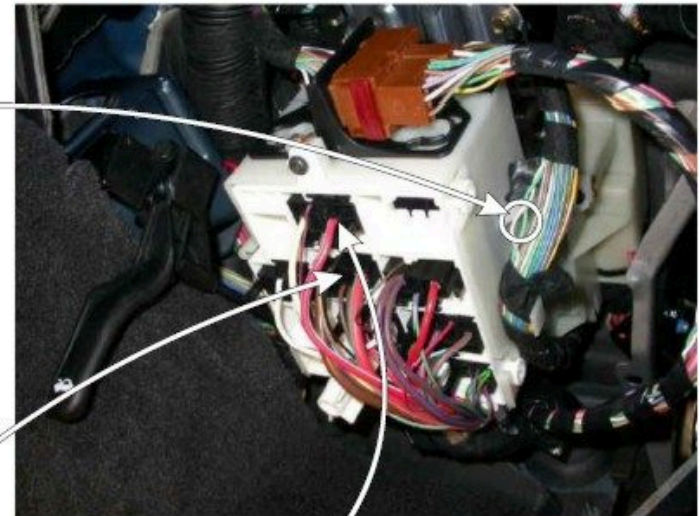
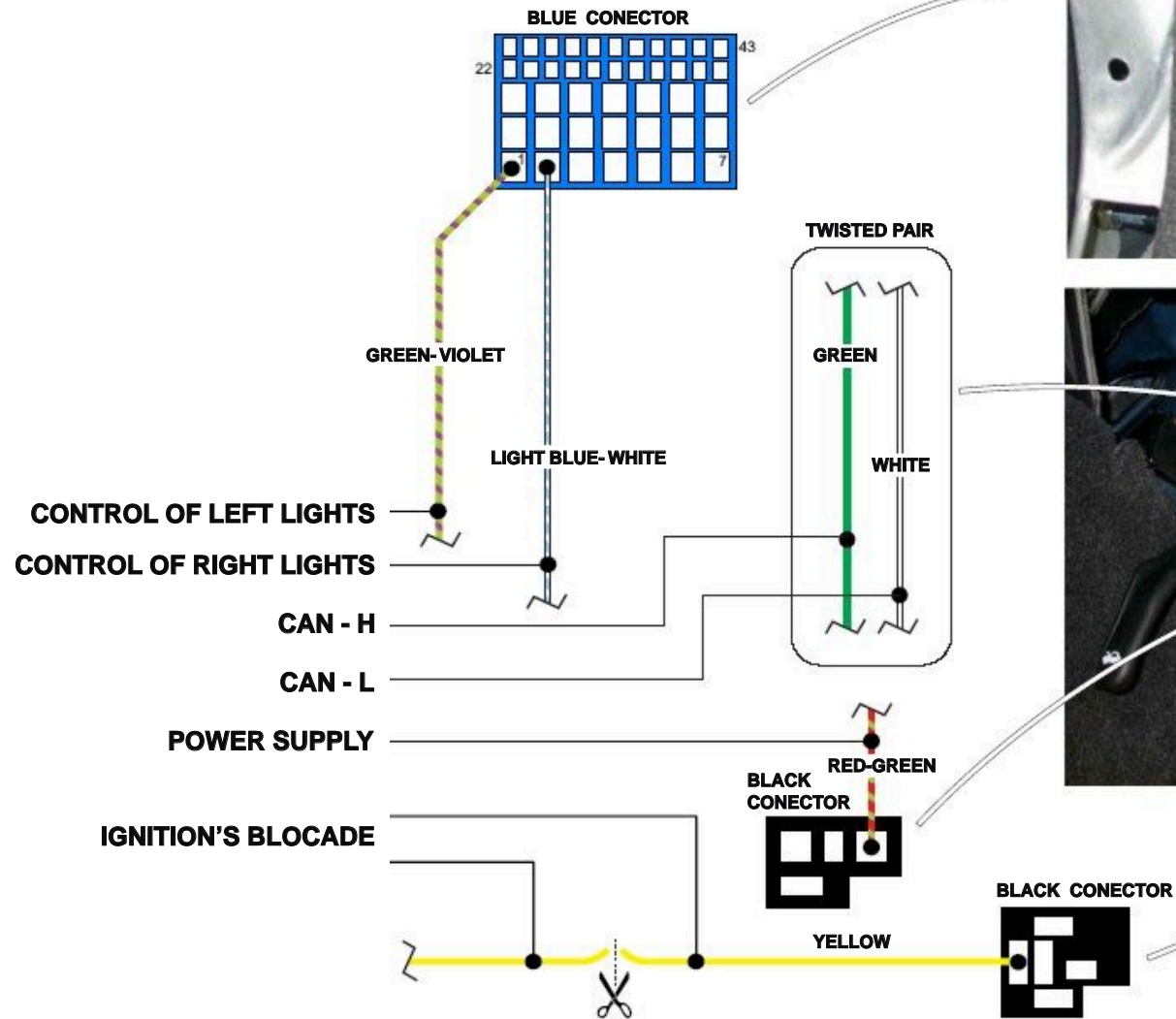
BLACK CONECTOR

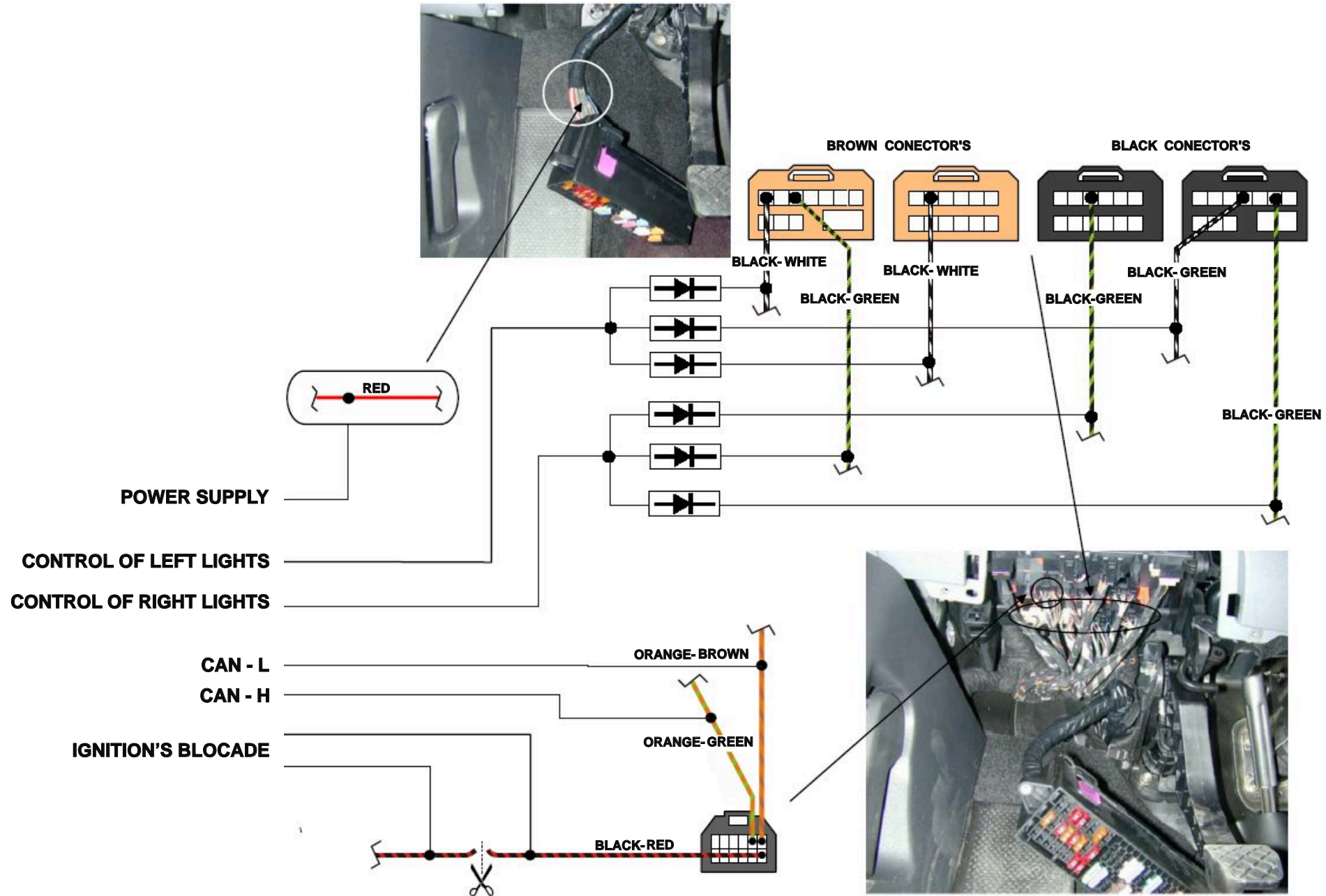


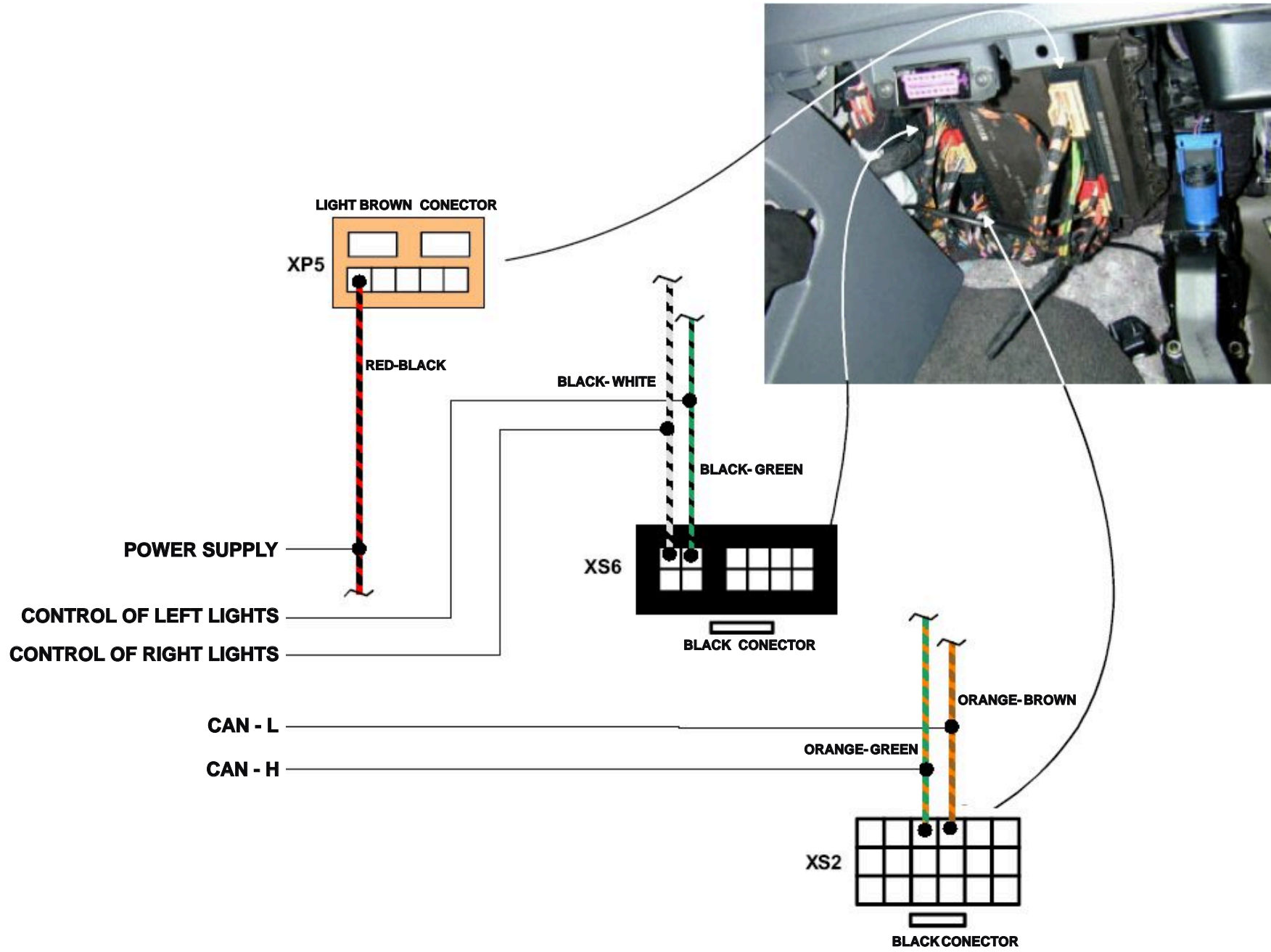
- PIN 2 - LIGHT BLUE
- PIN 3 - YELLOW
- PIN 4 - BROWN- WHITE
- PIN 9 - BROWN- LIGHT BROWN

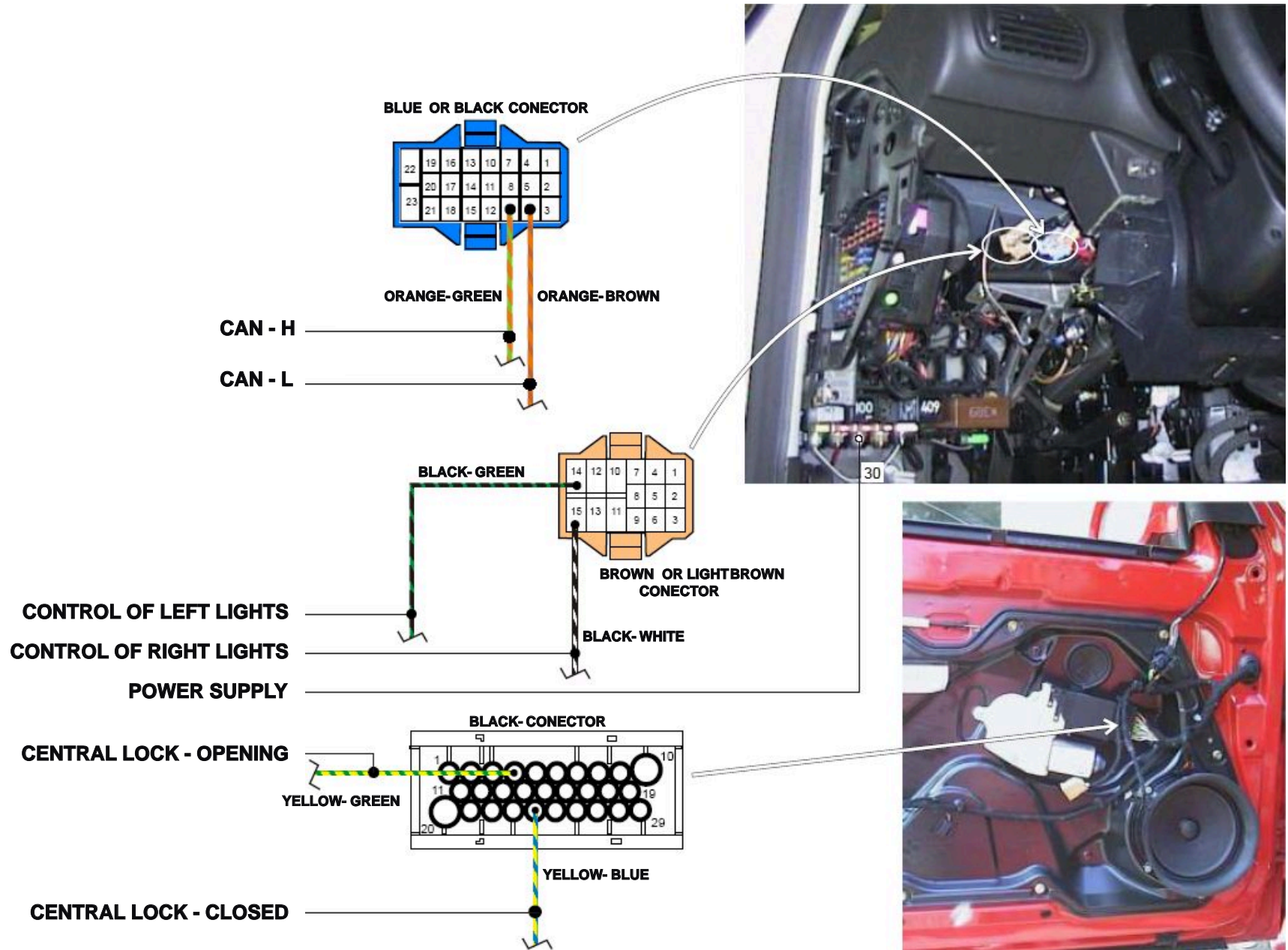


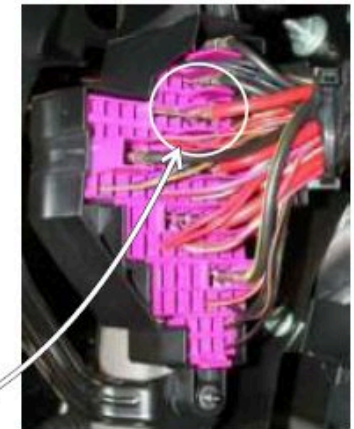
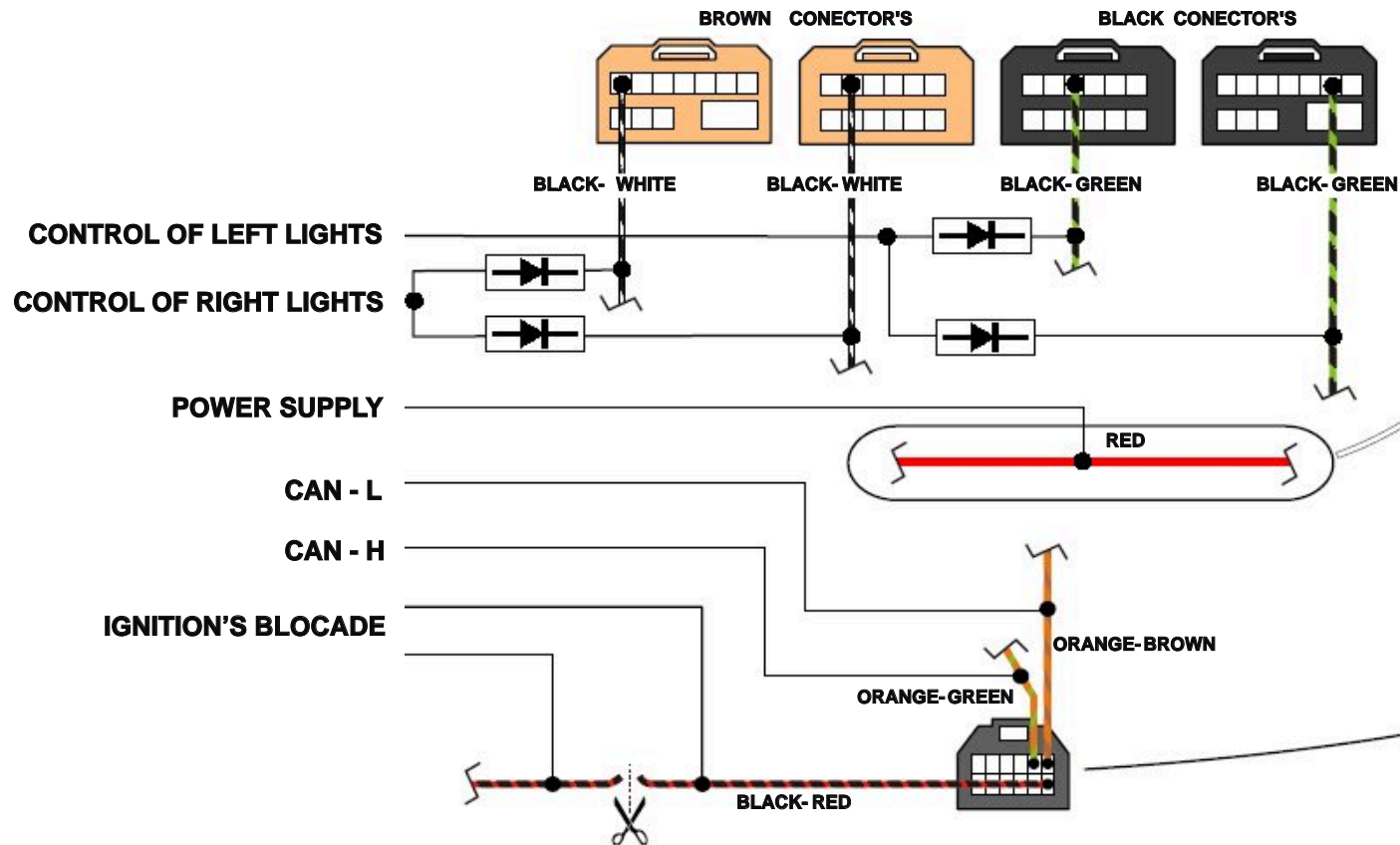


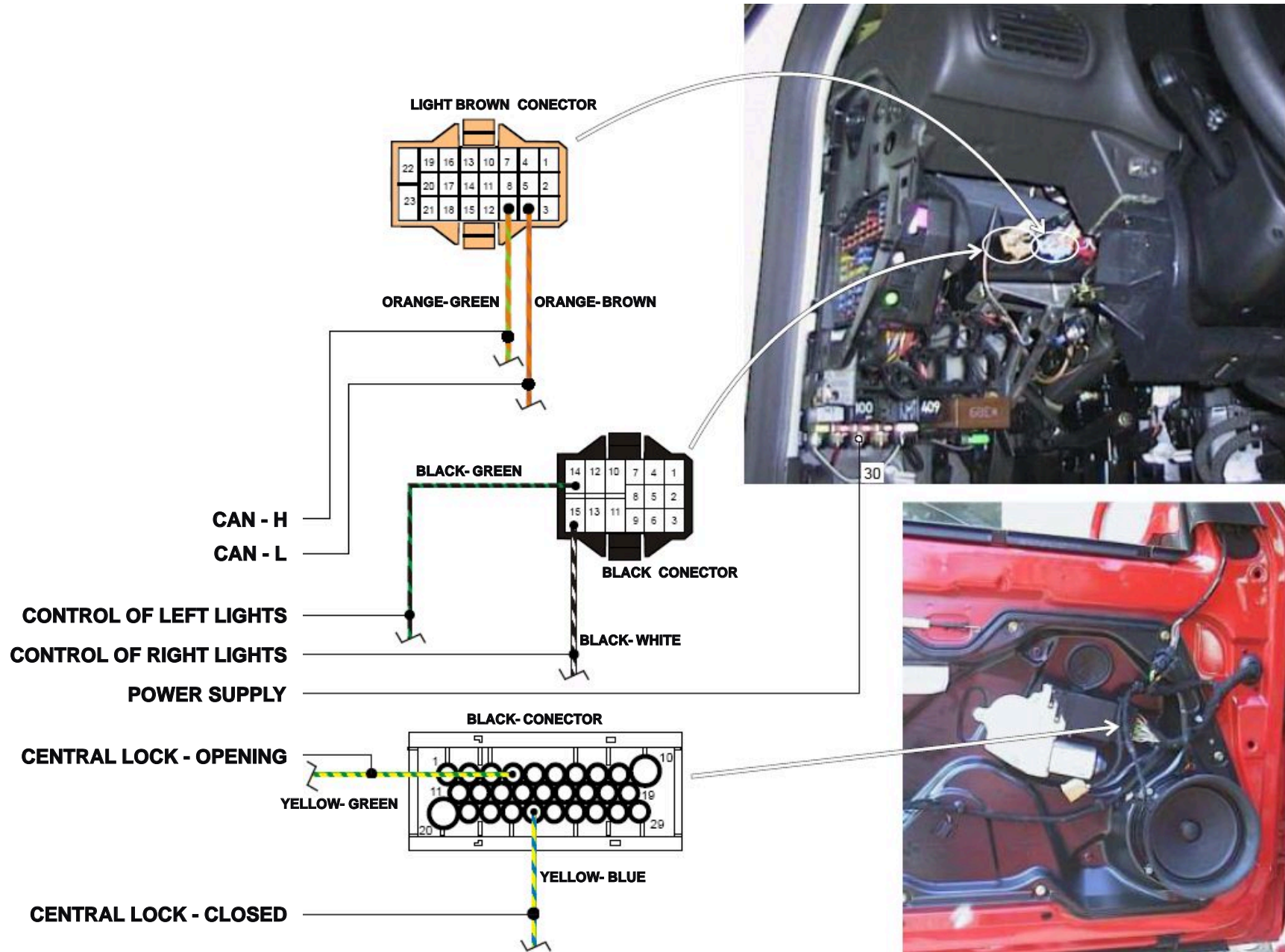


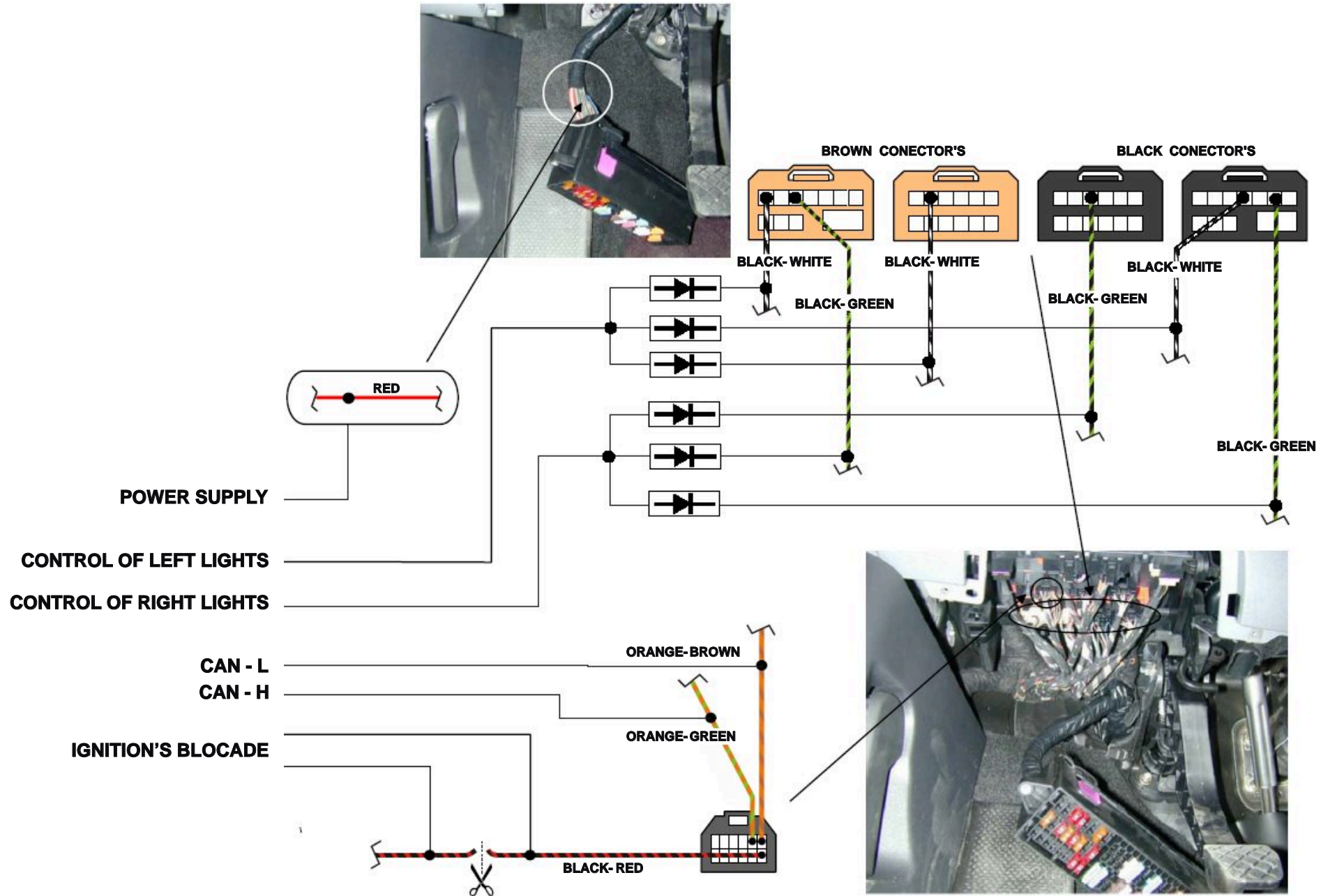


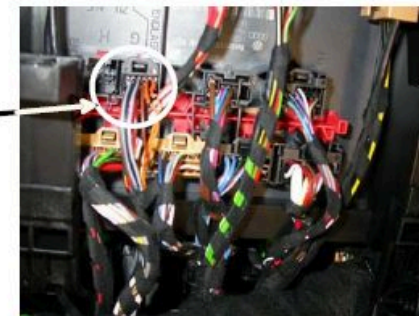
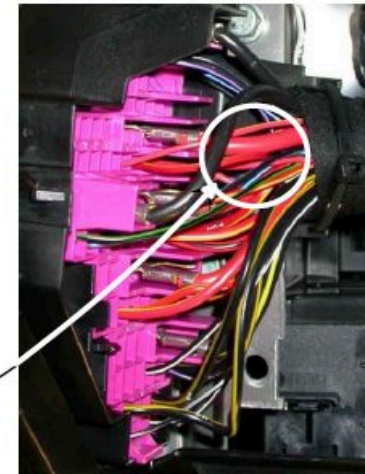
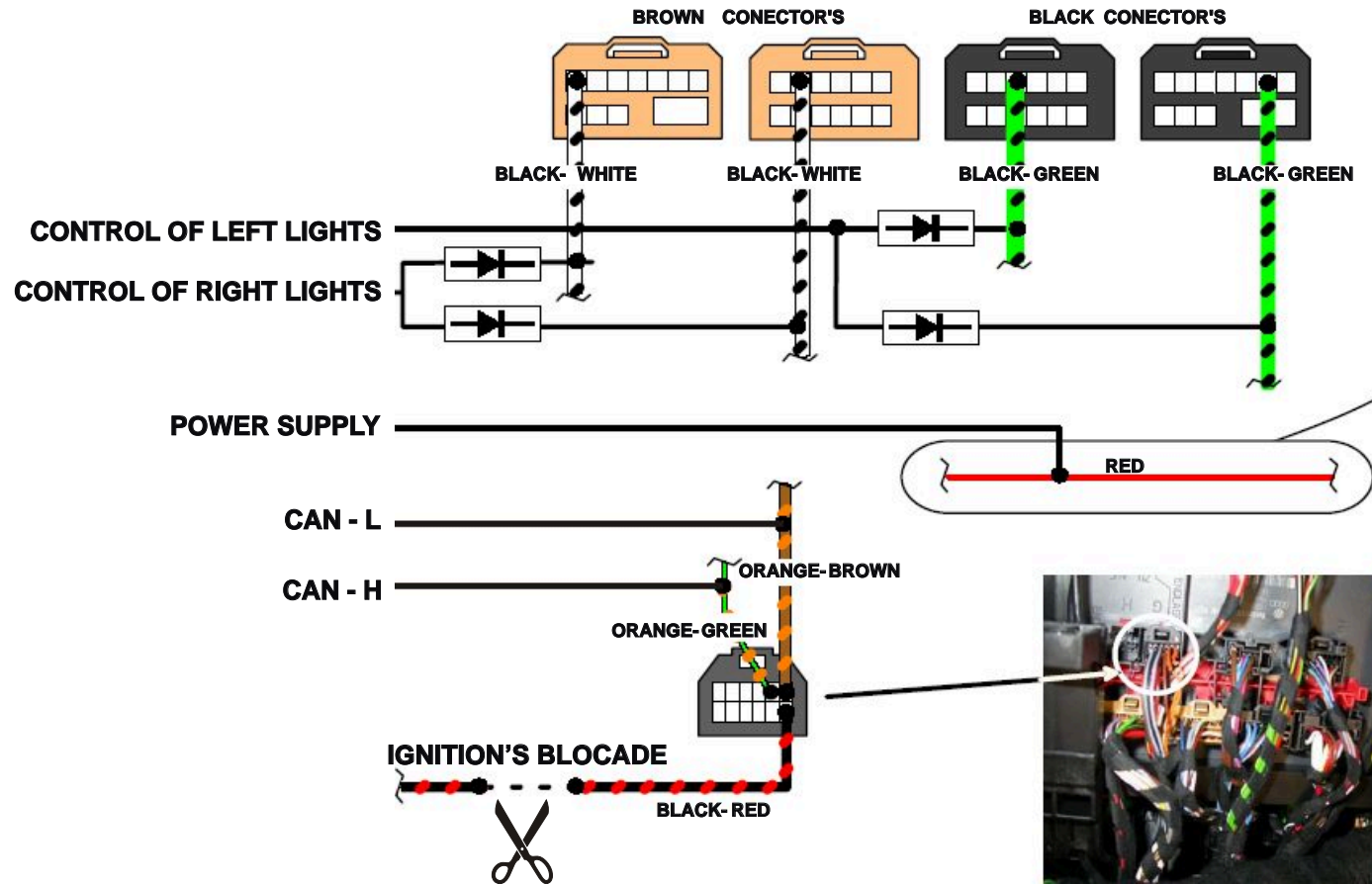


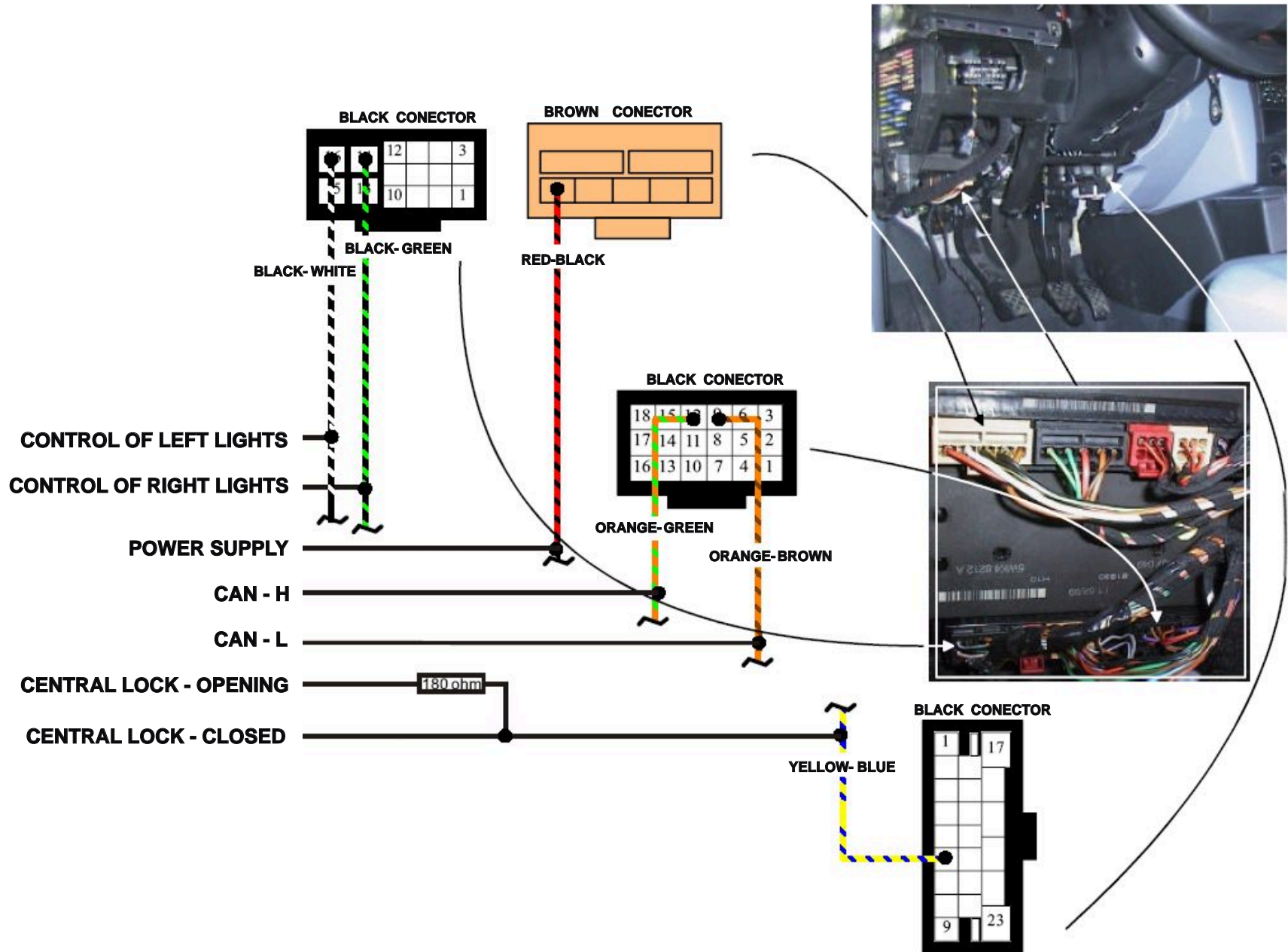


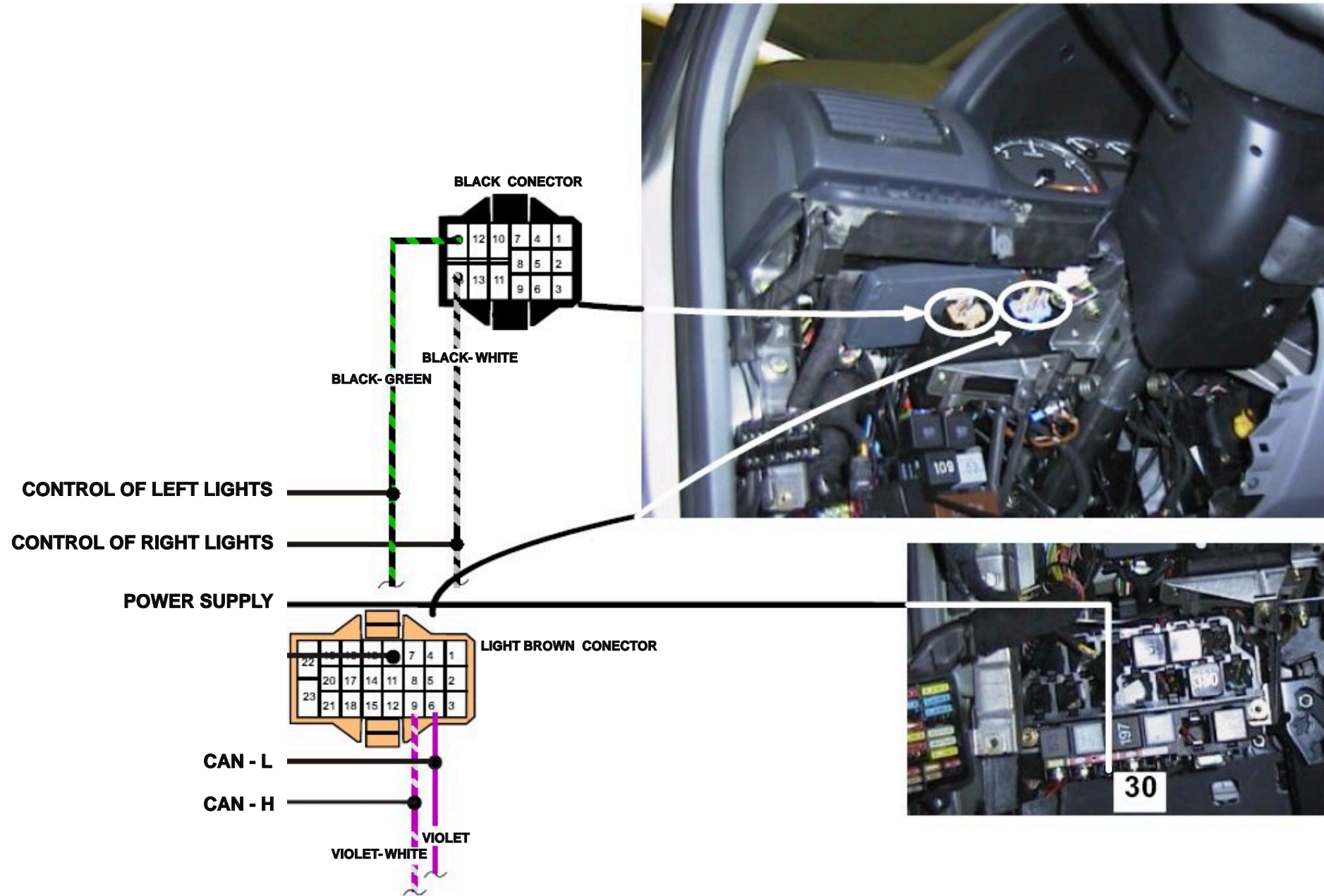


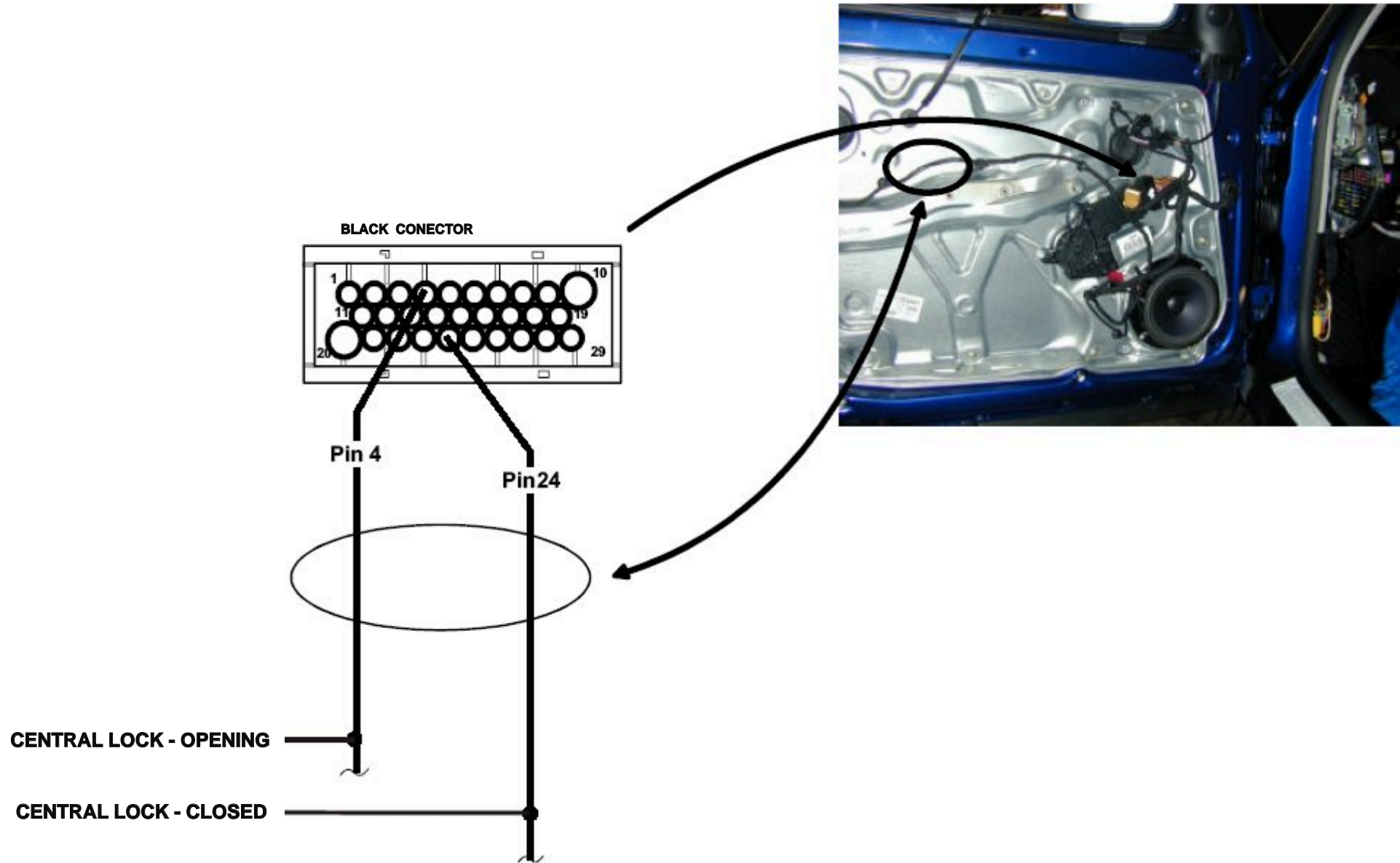


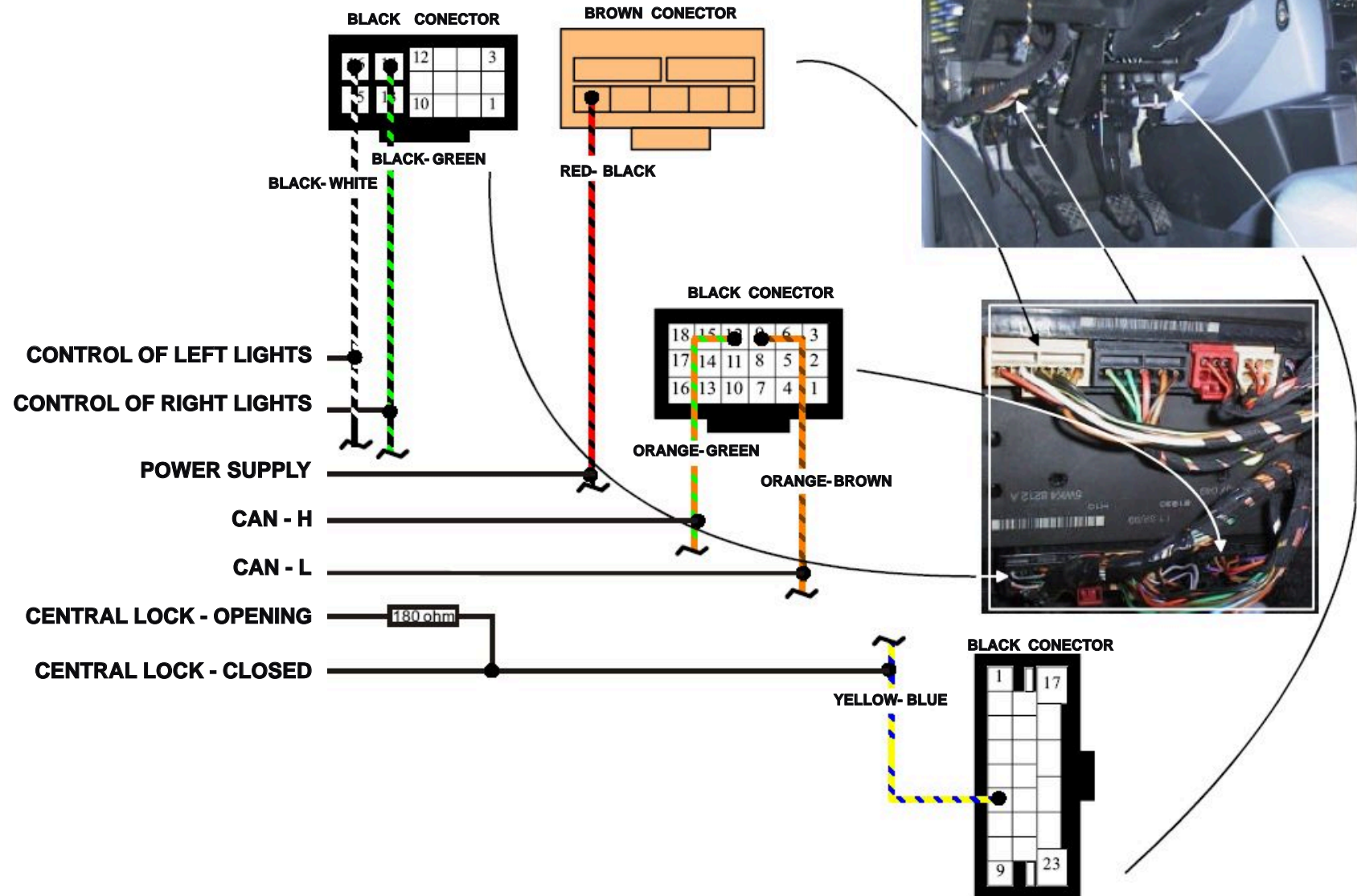


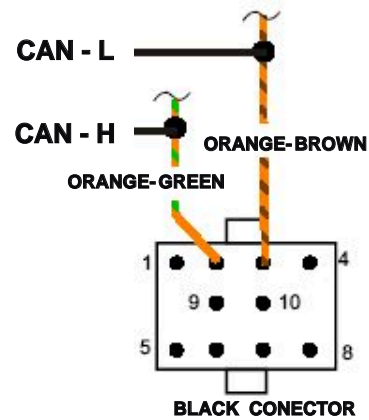
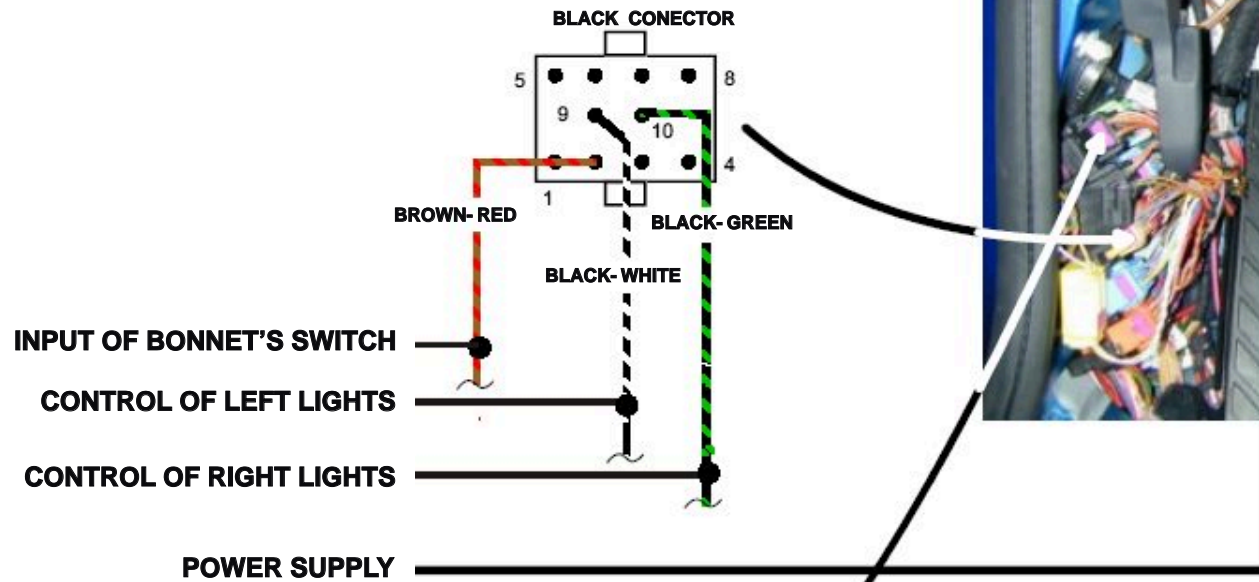


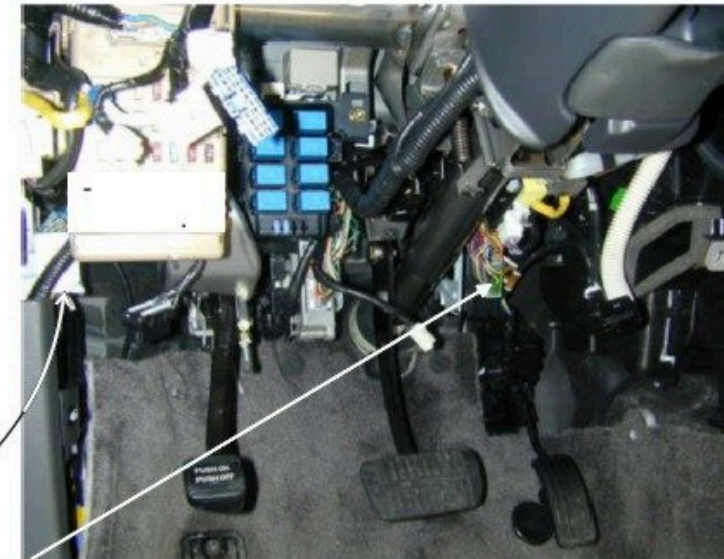
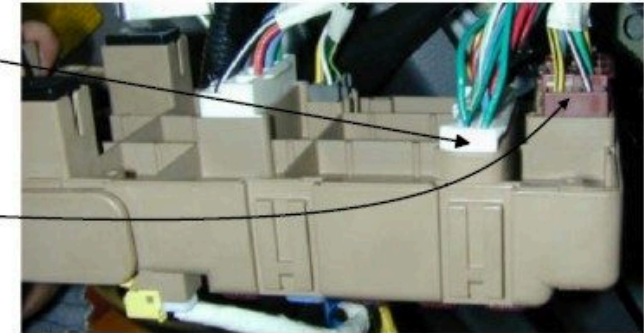
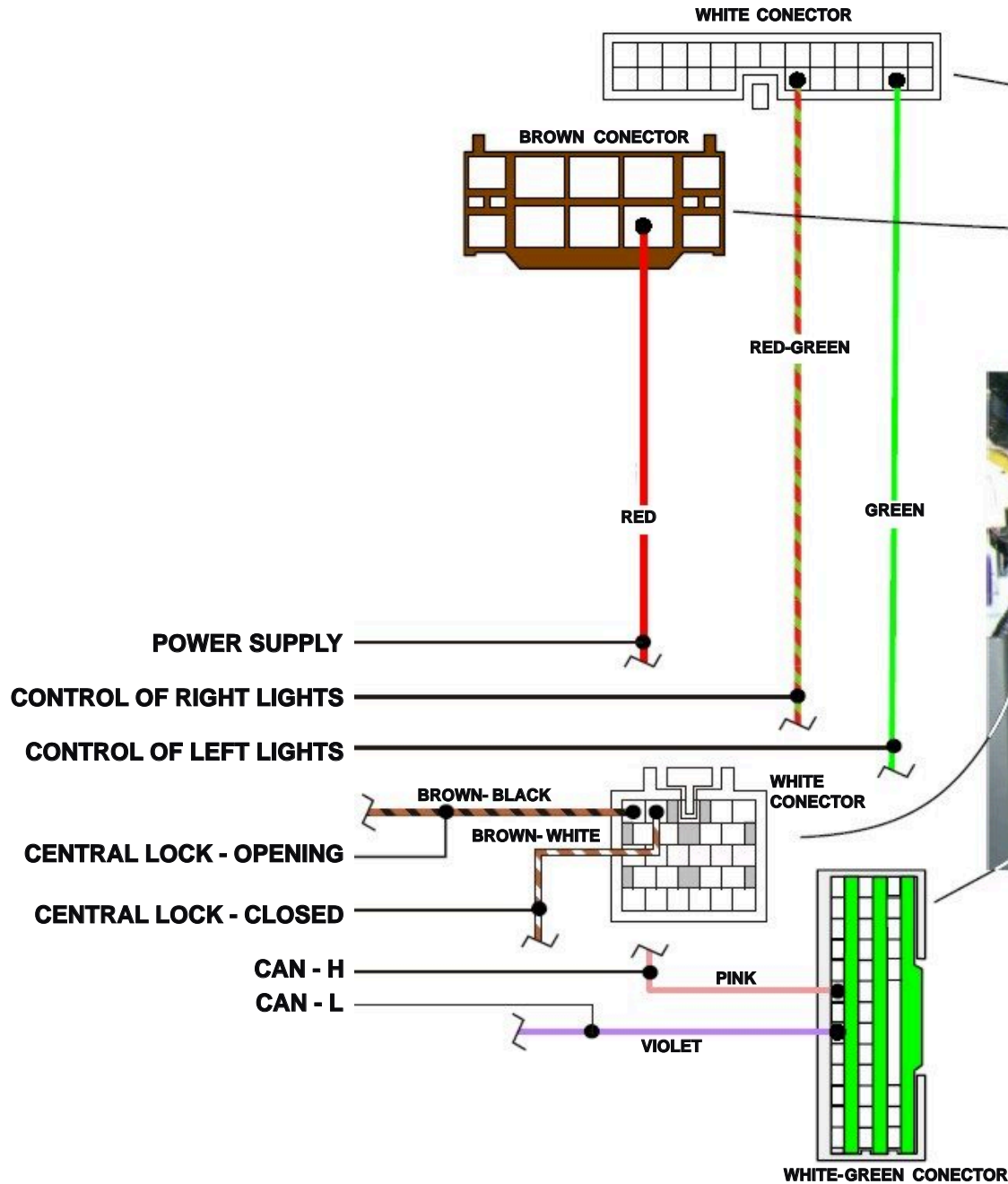


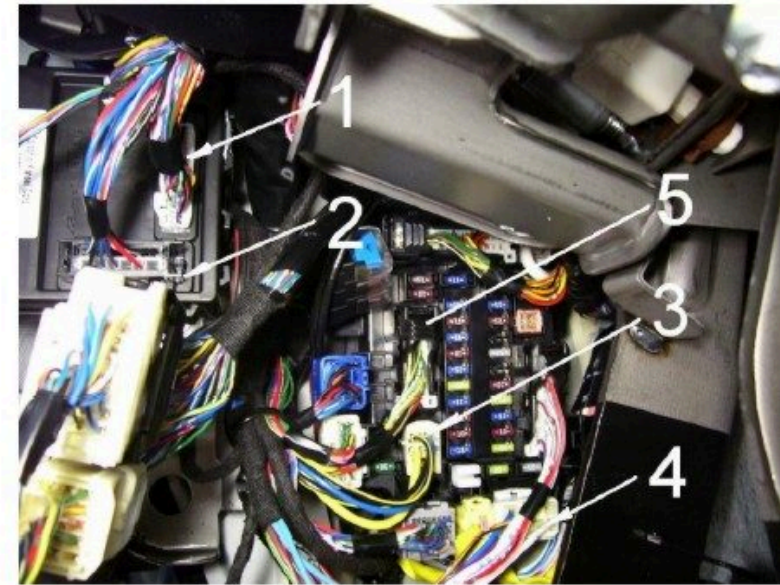
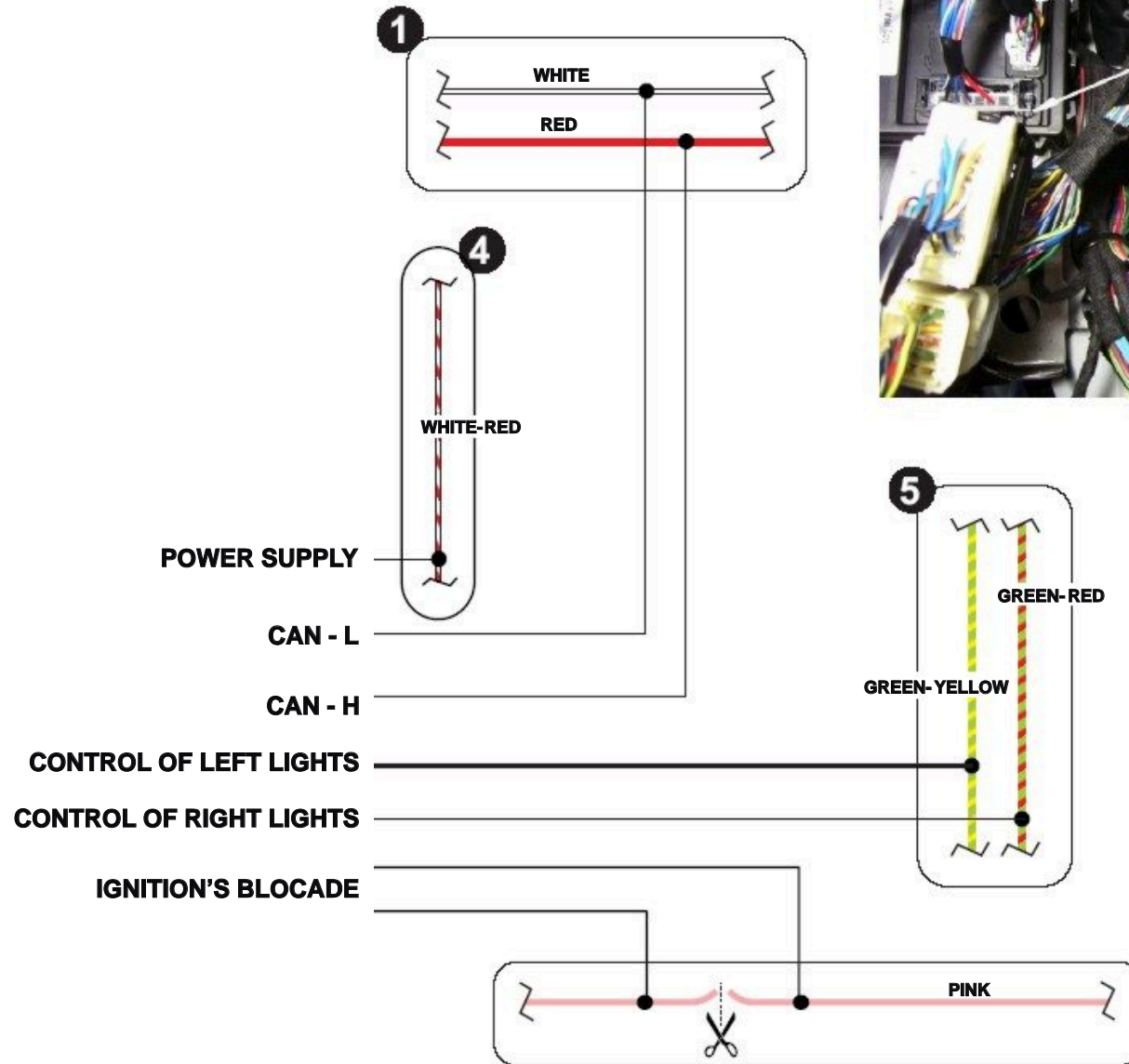


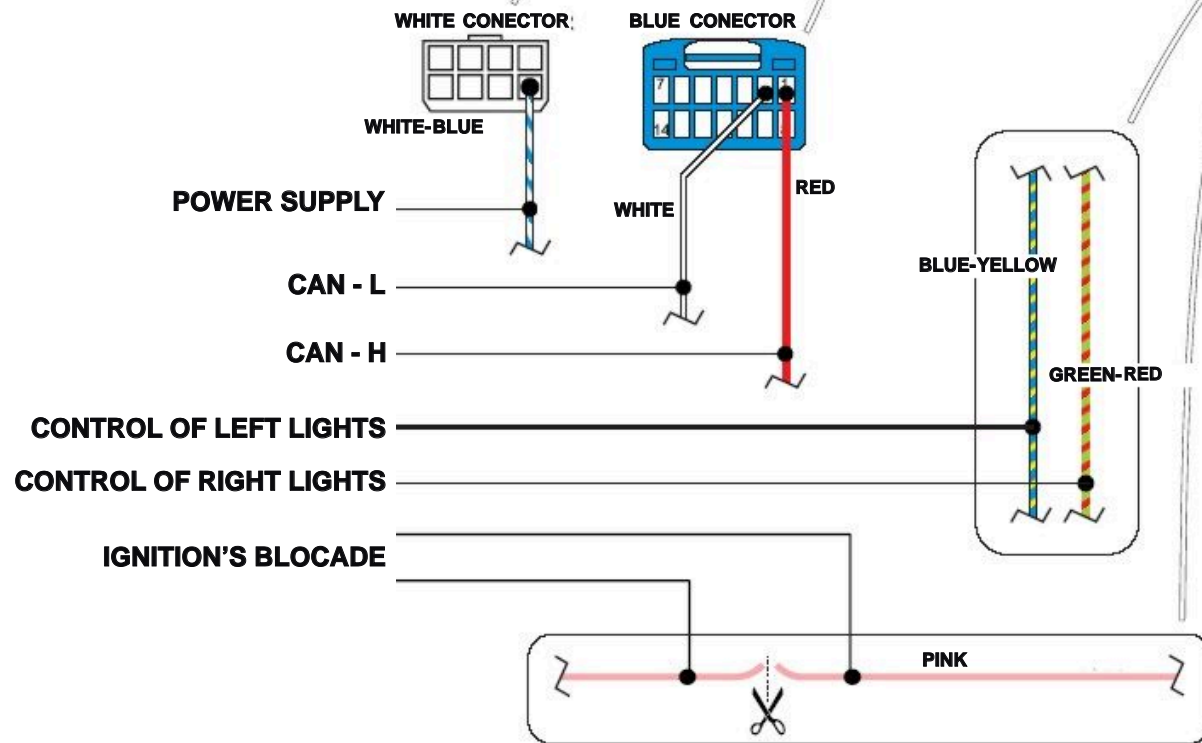
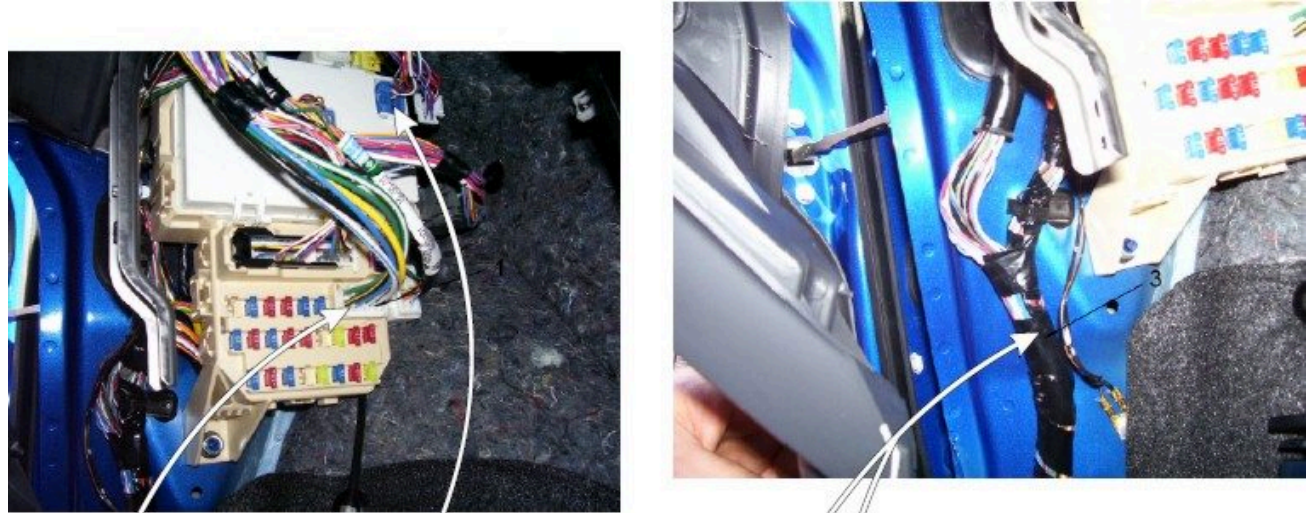


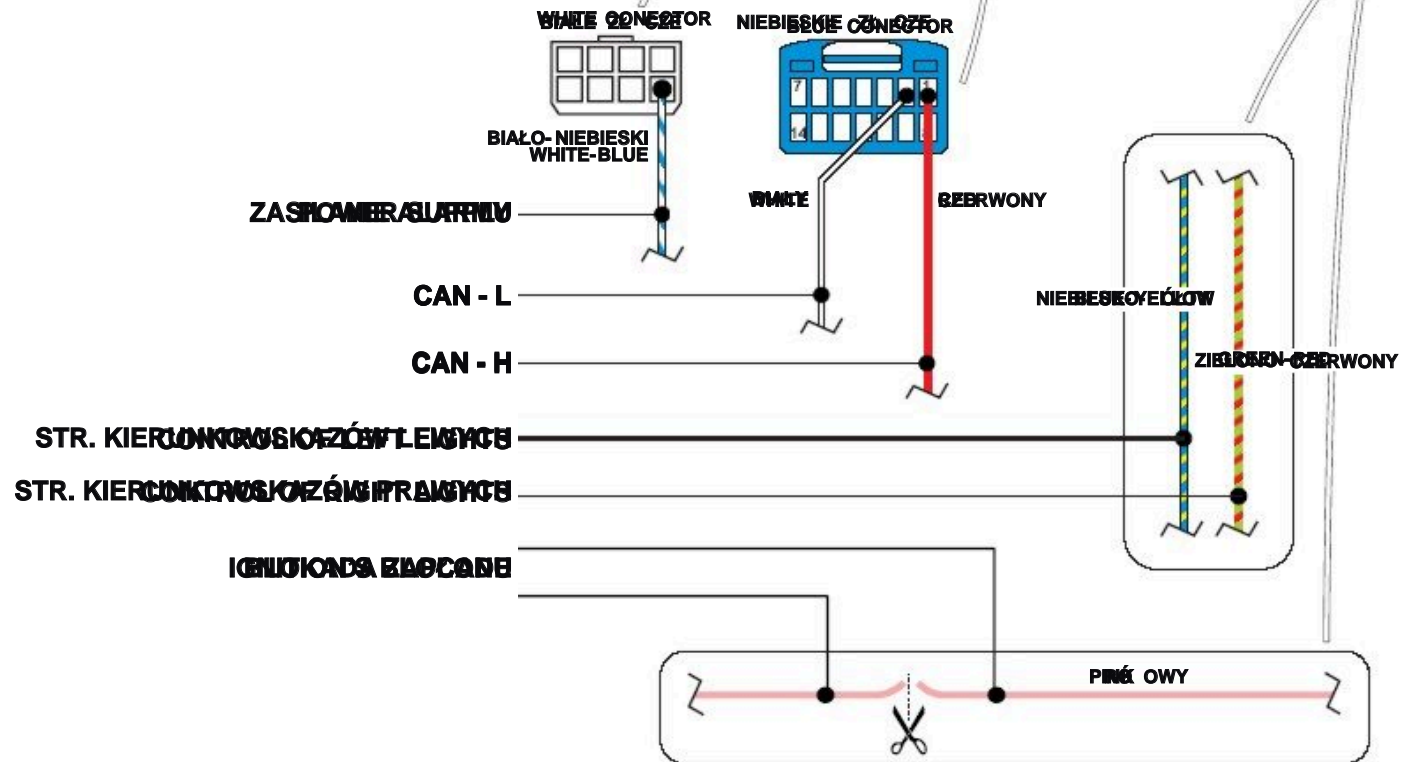


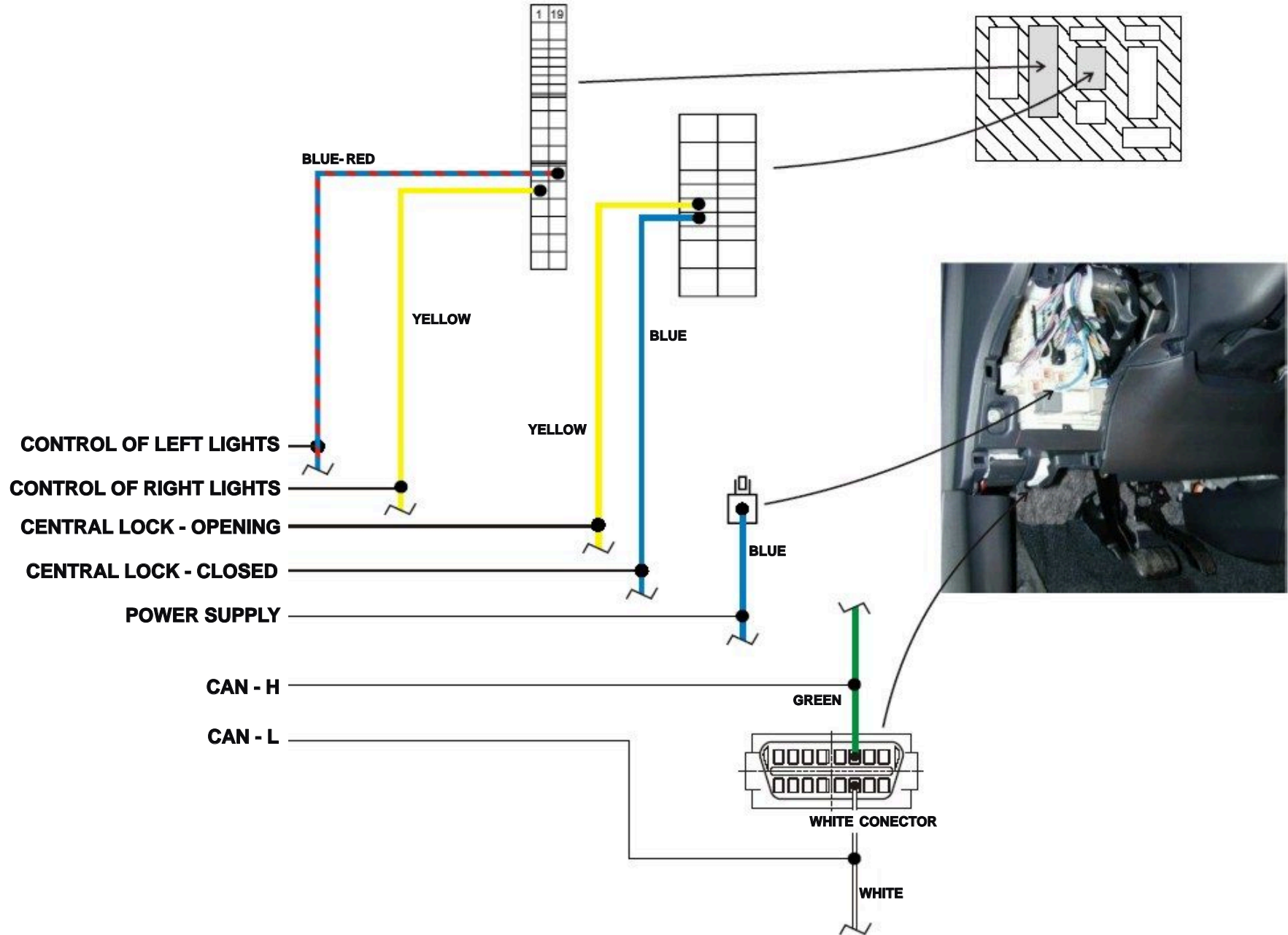


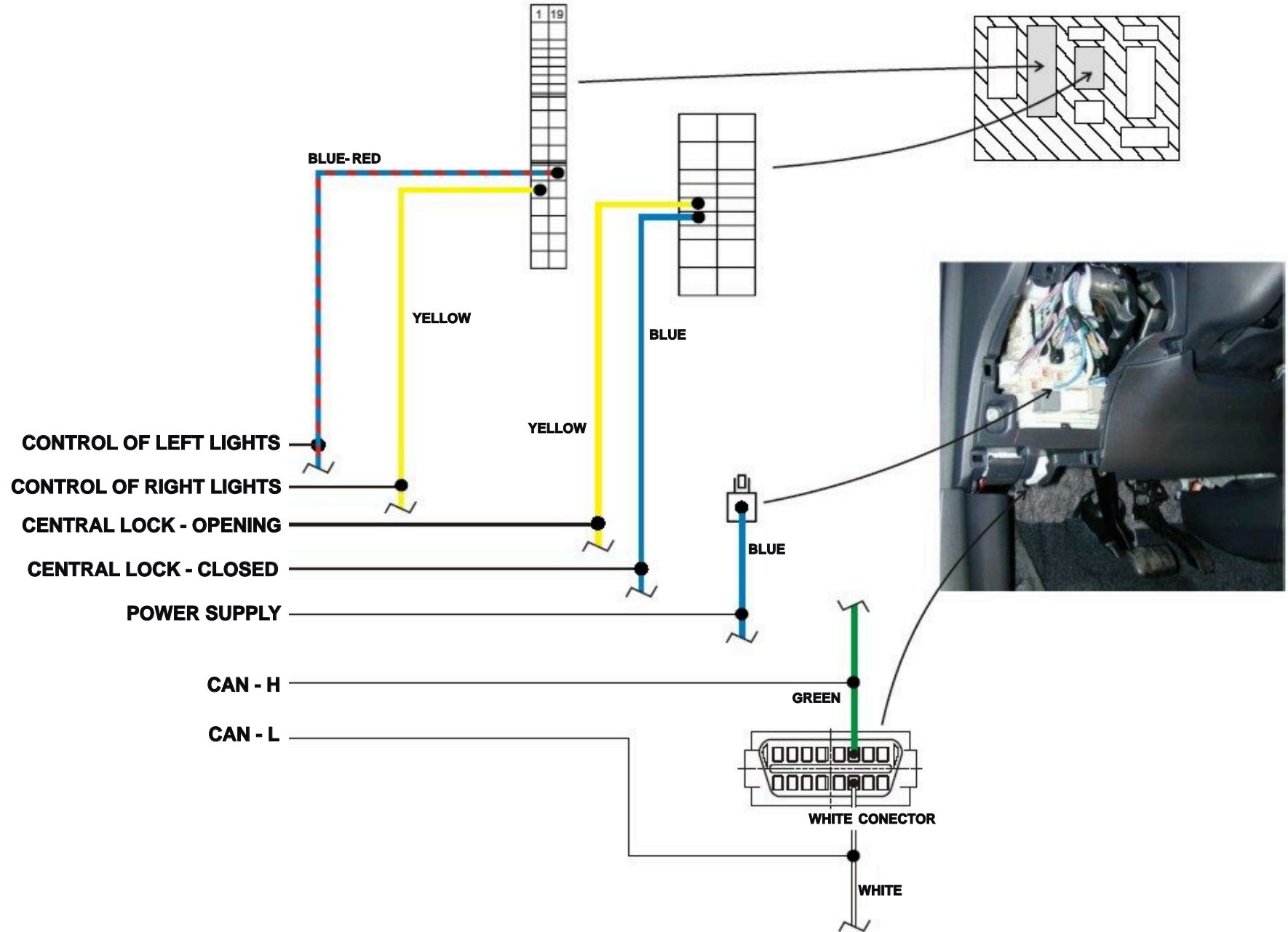


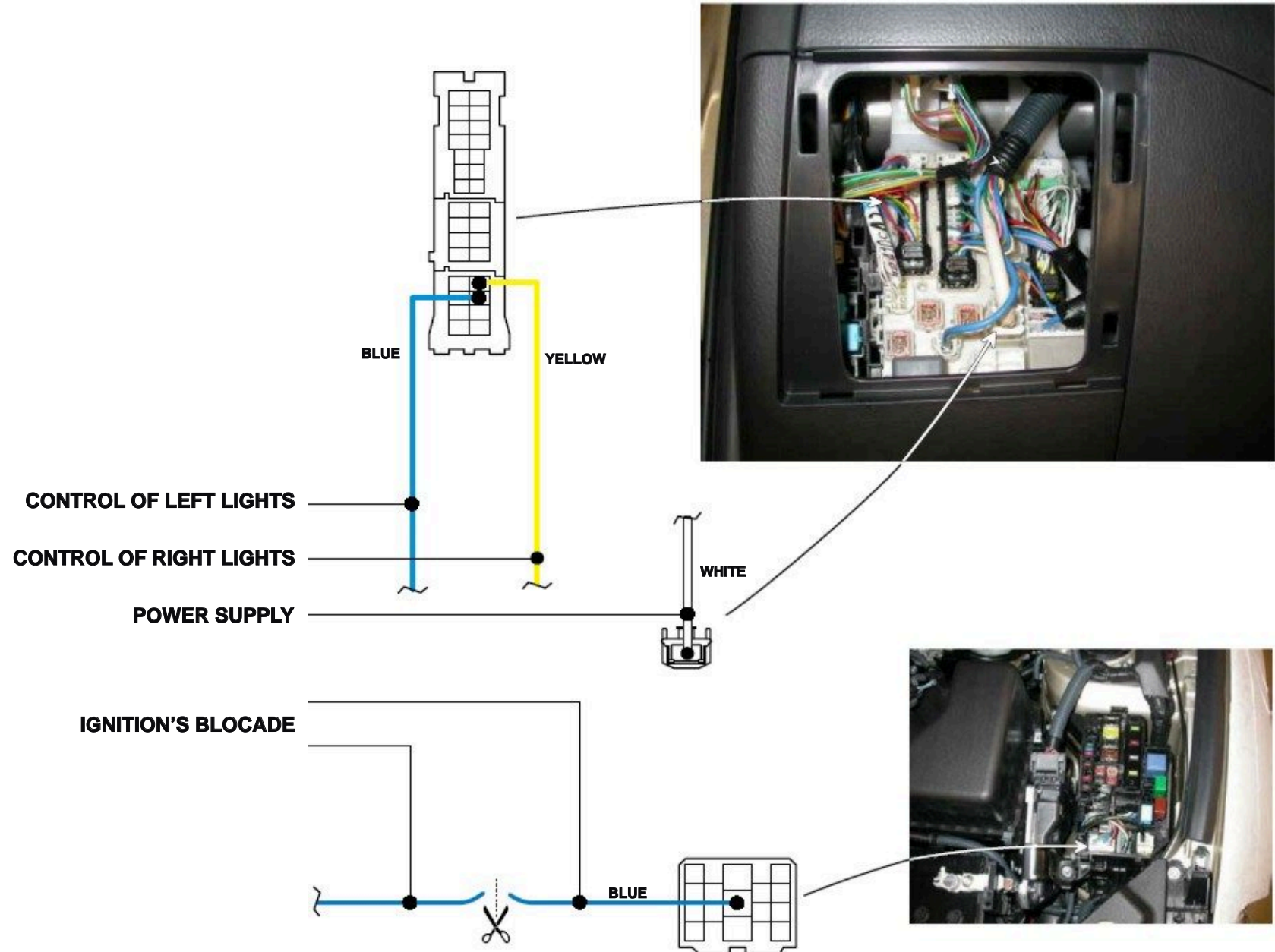


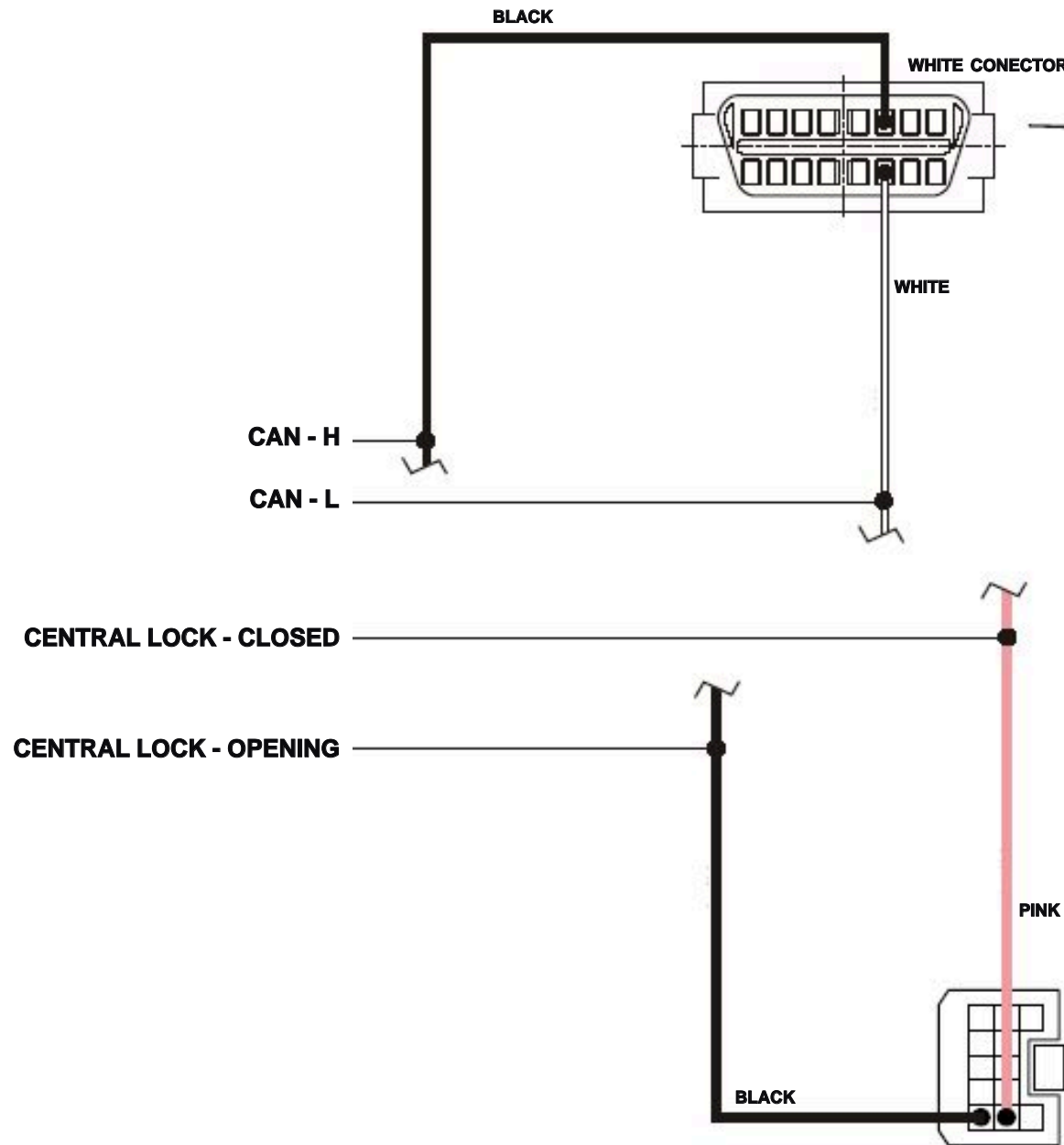


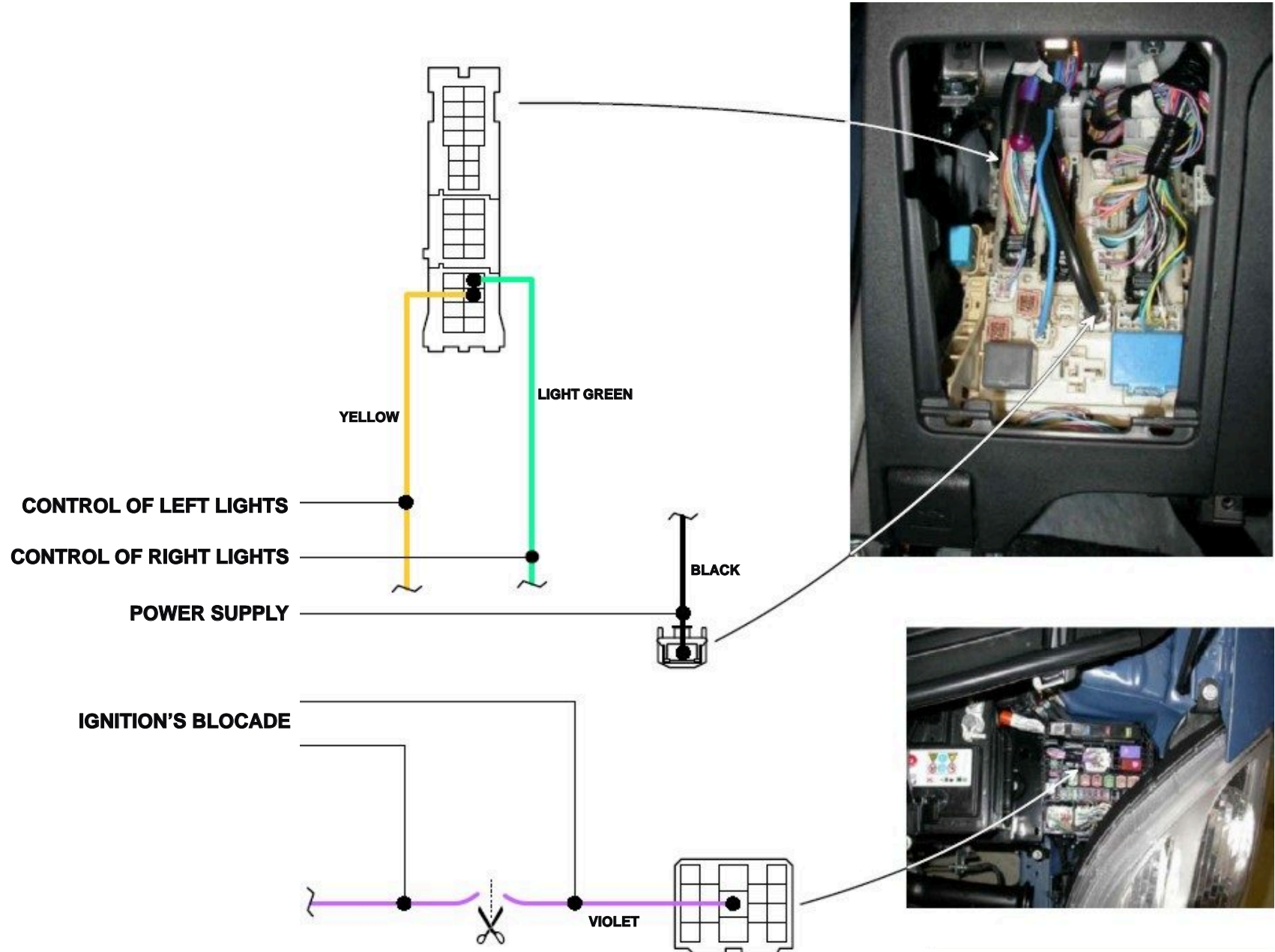


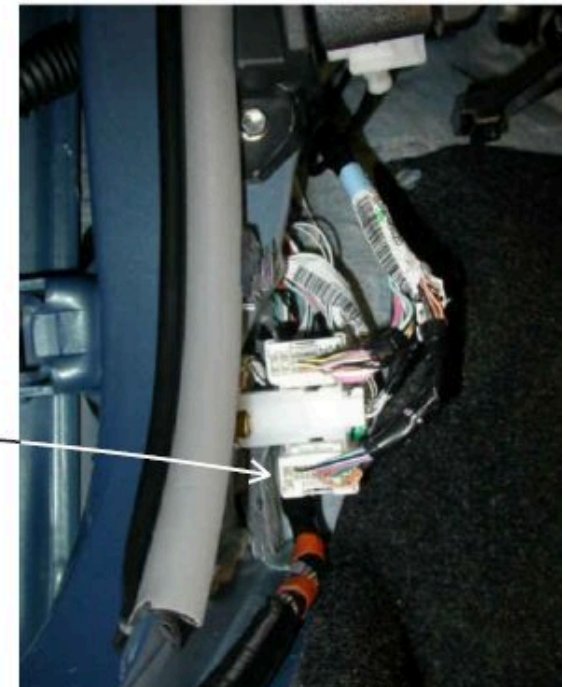
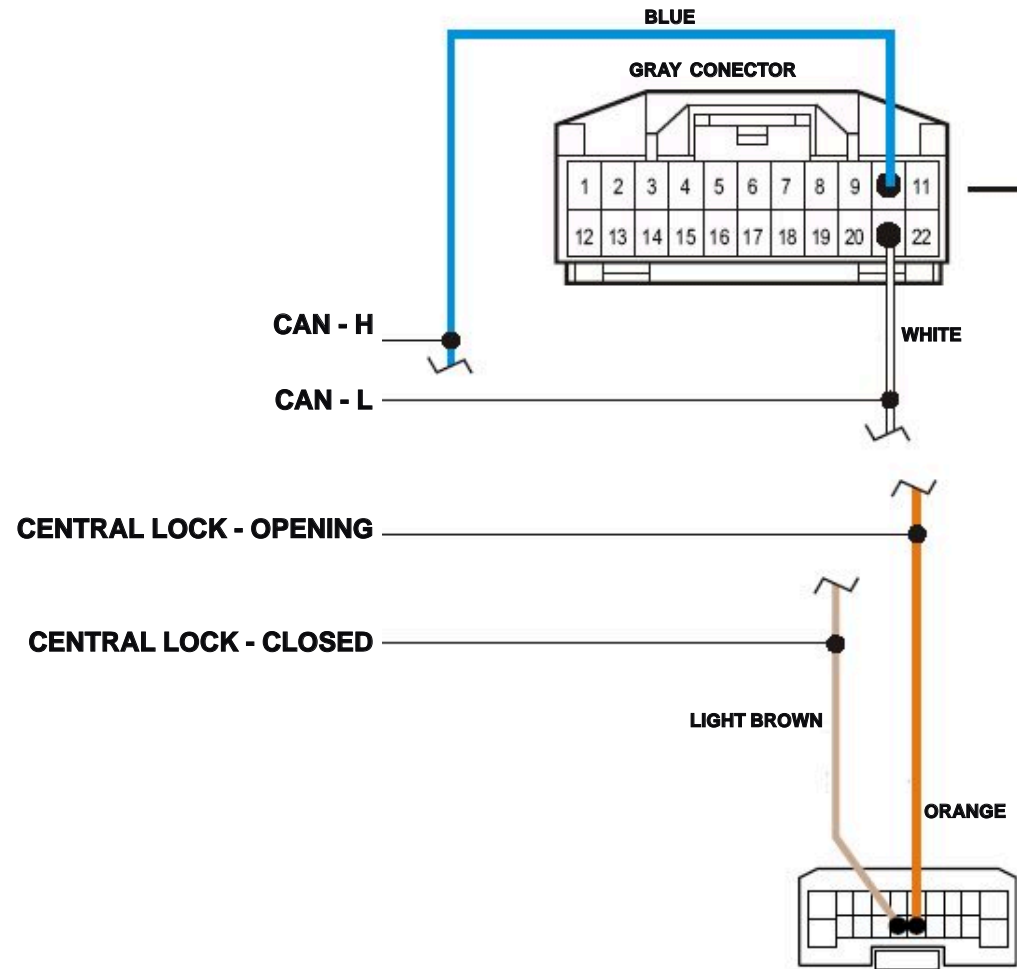


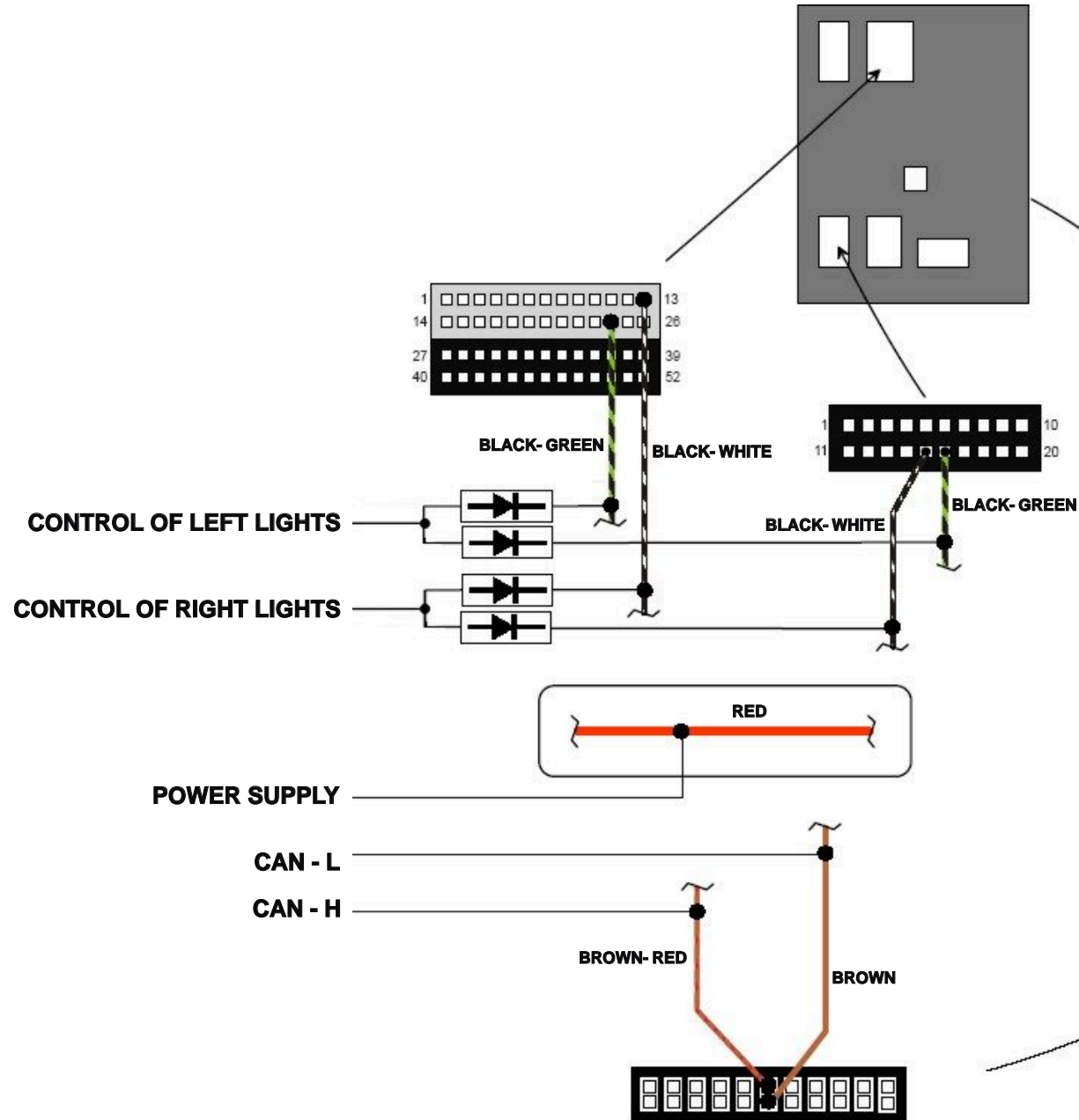


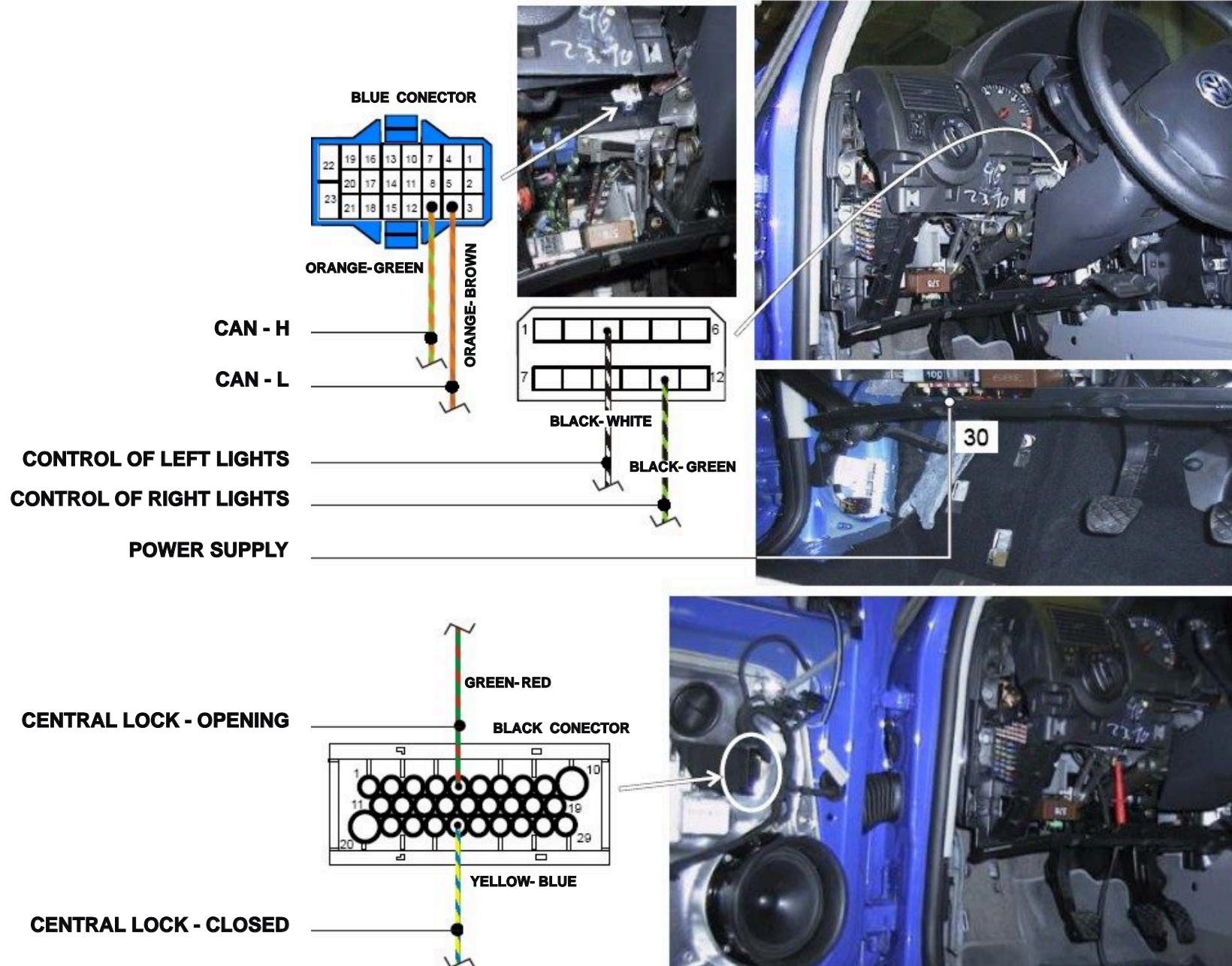


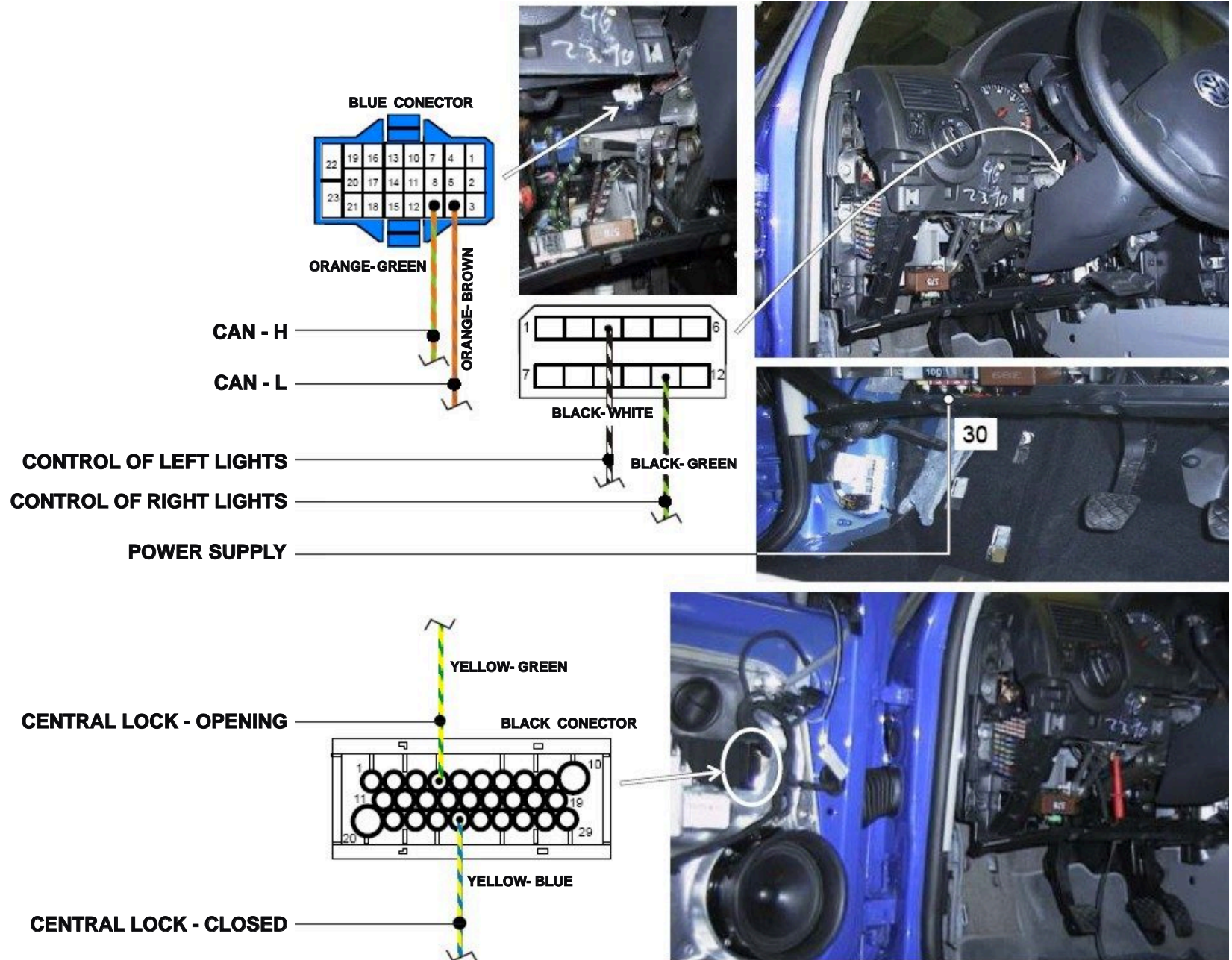


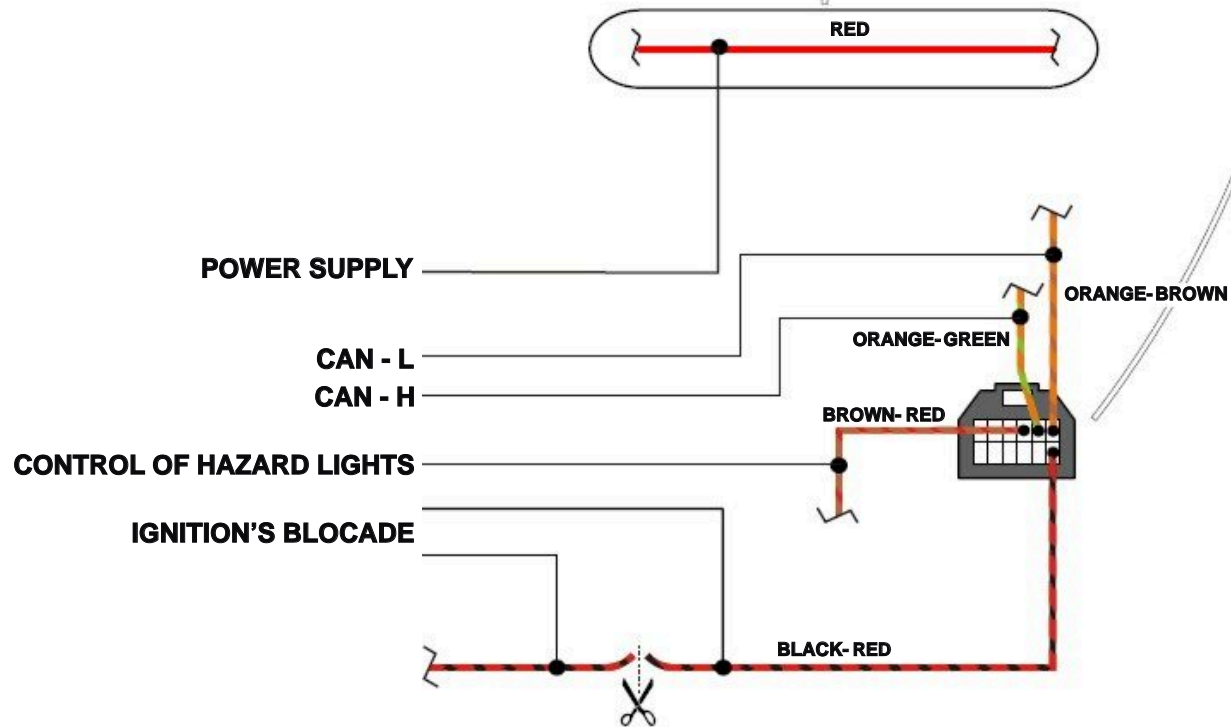
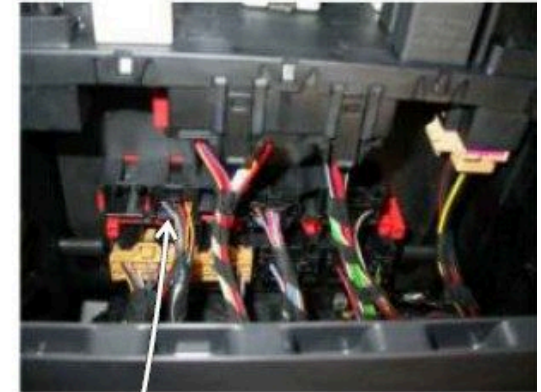
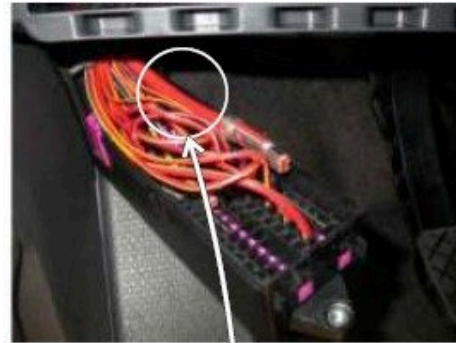


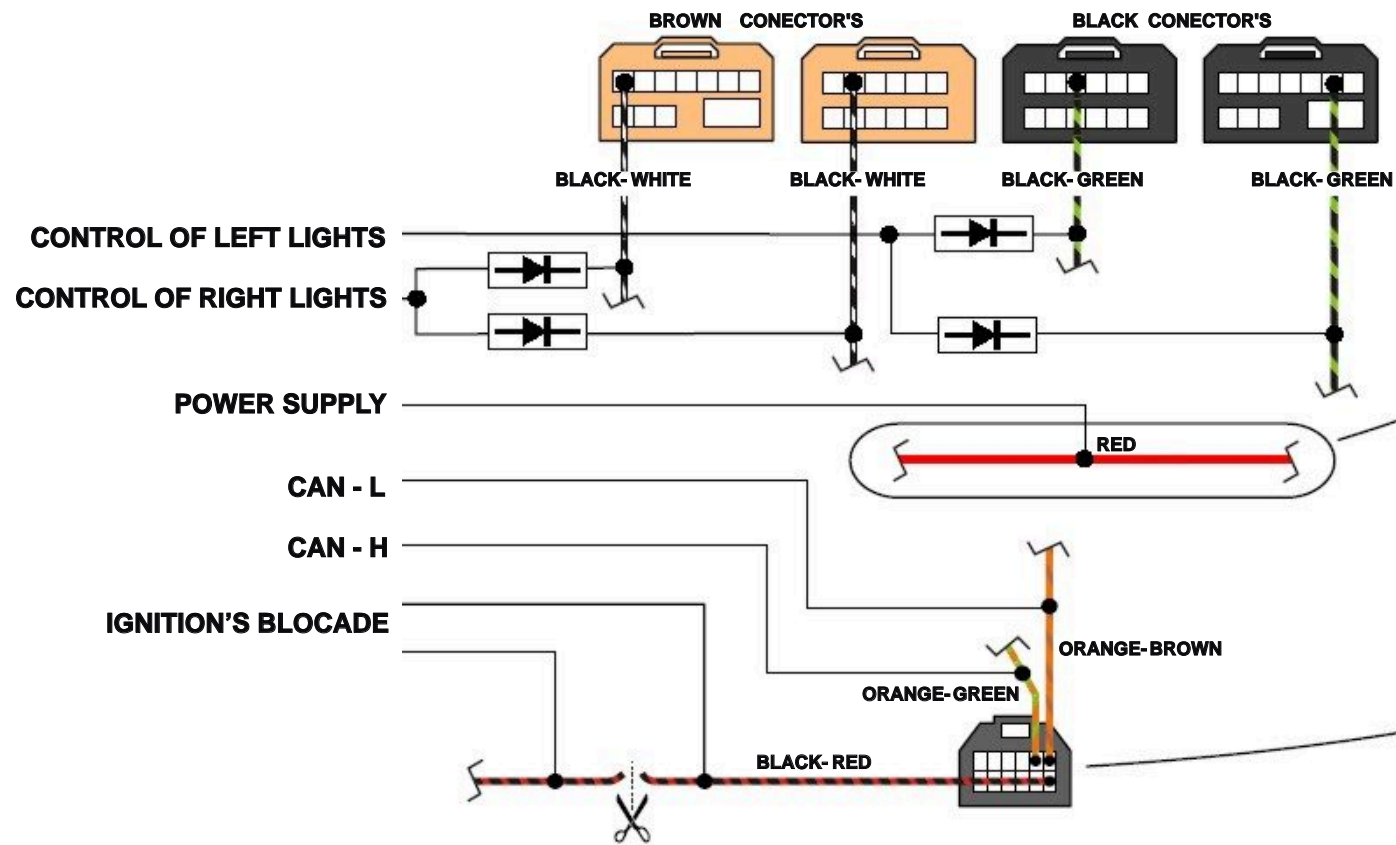
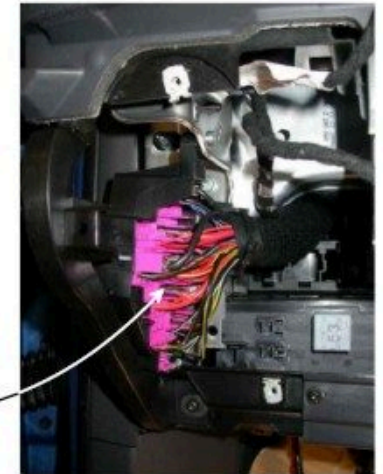


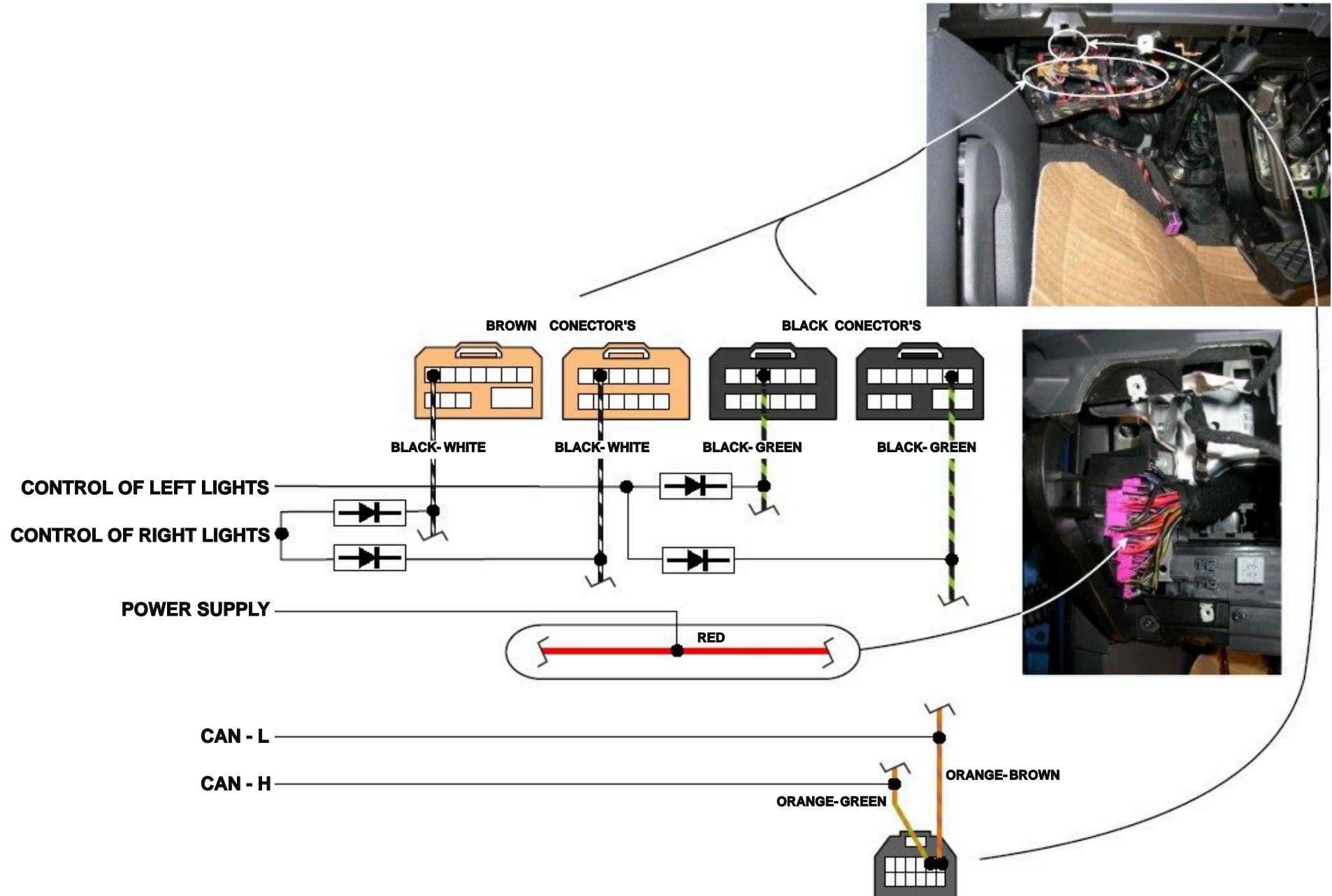


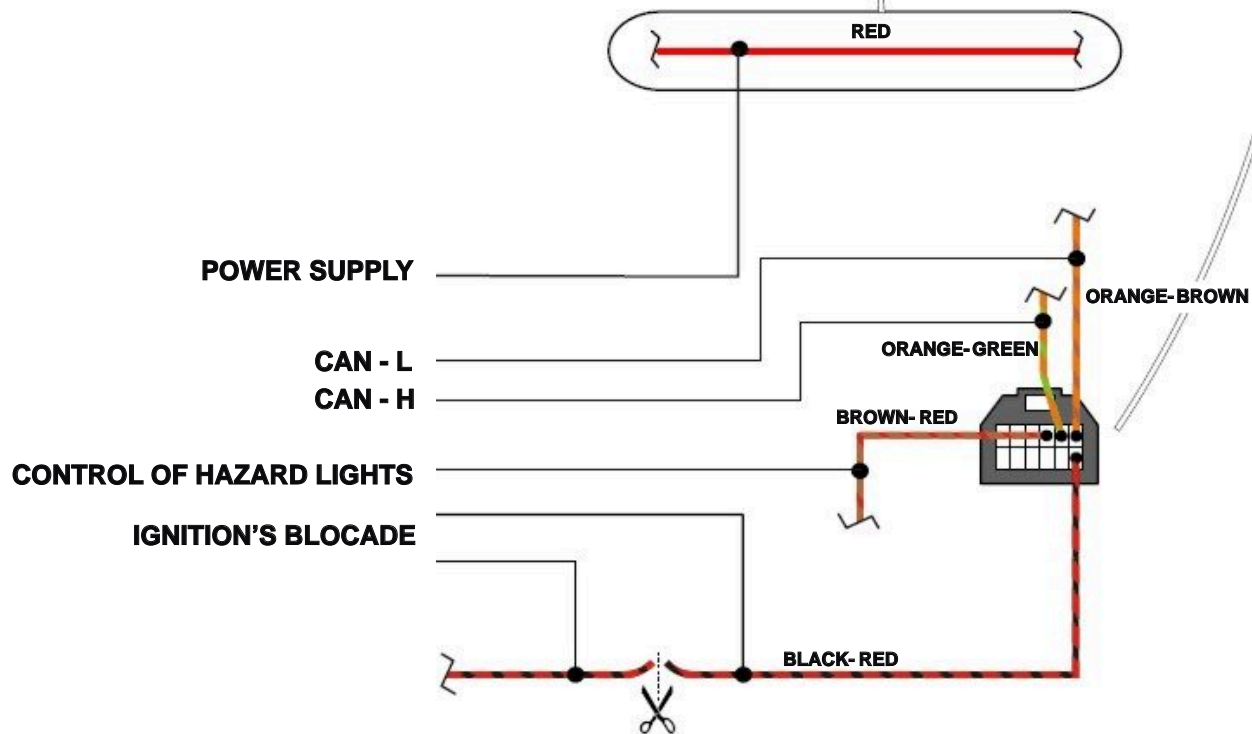
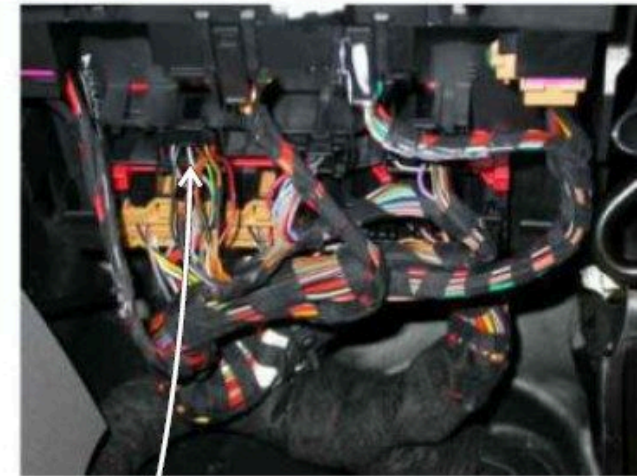


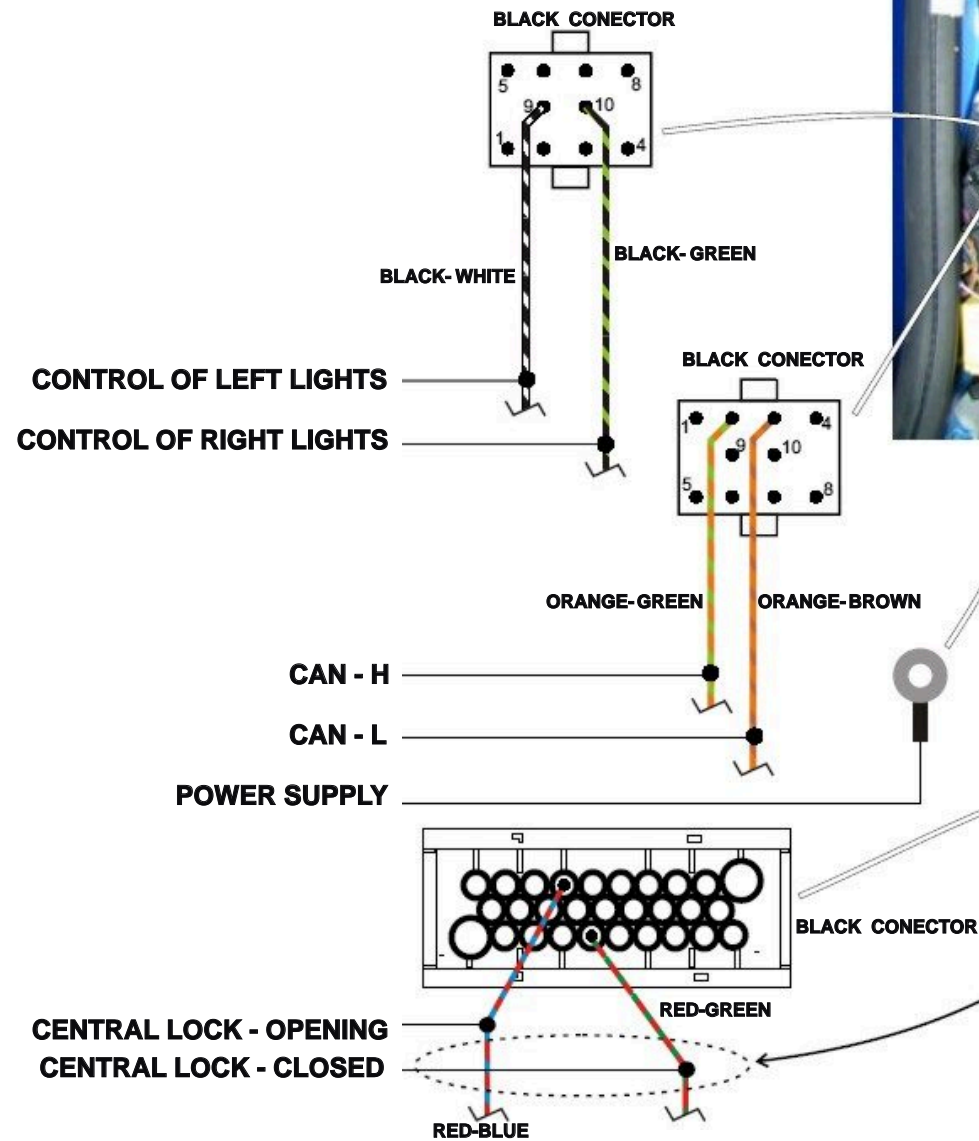


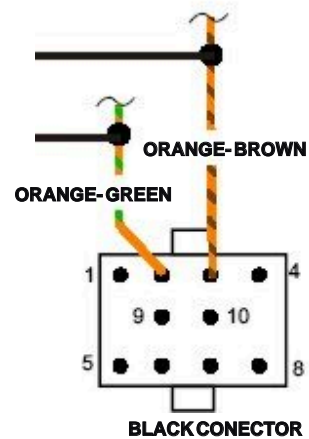
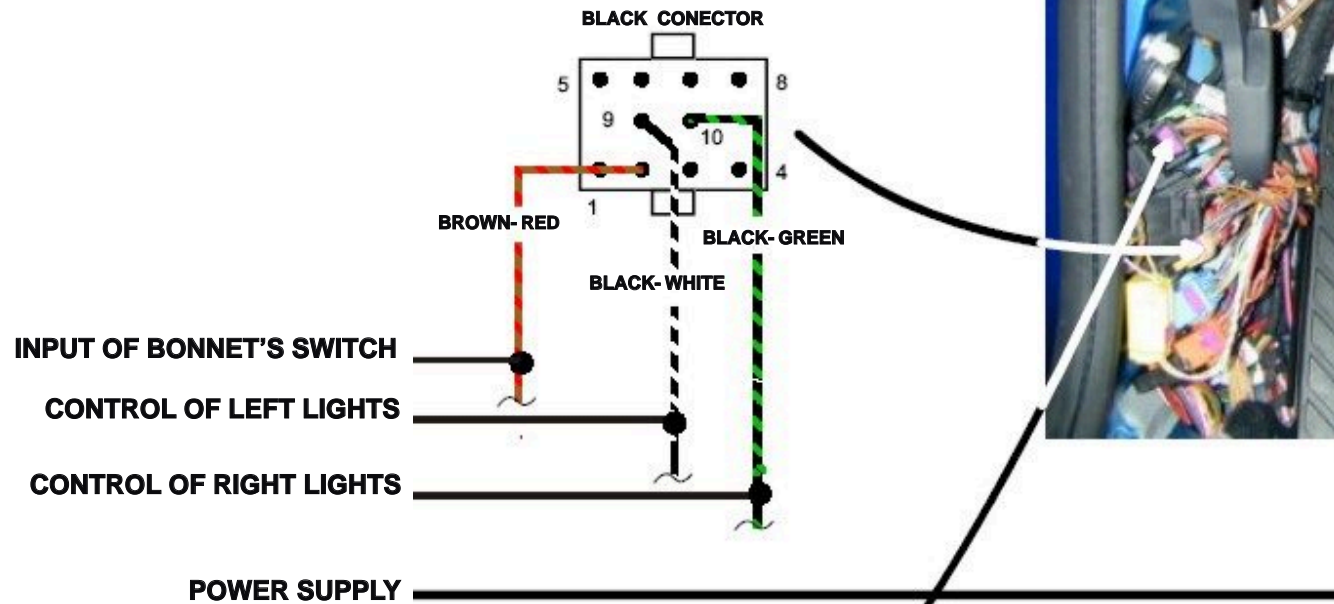


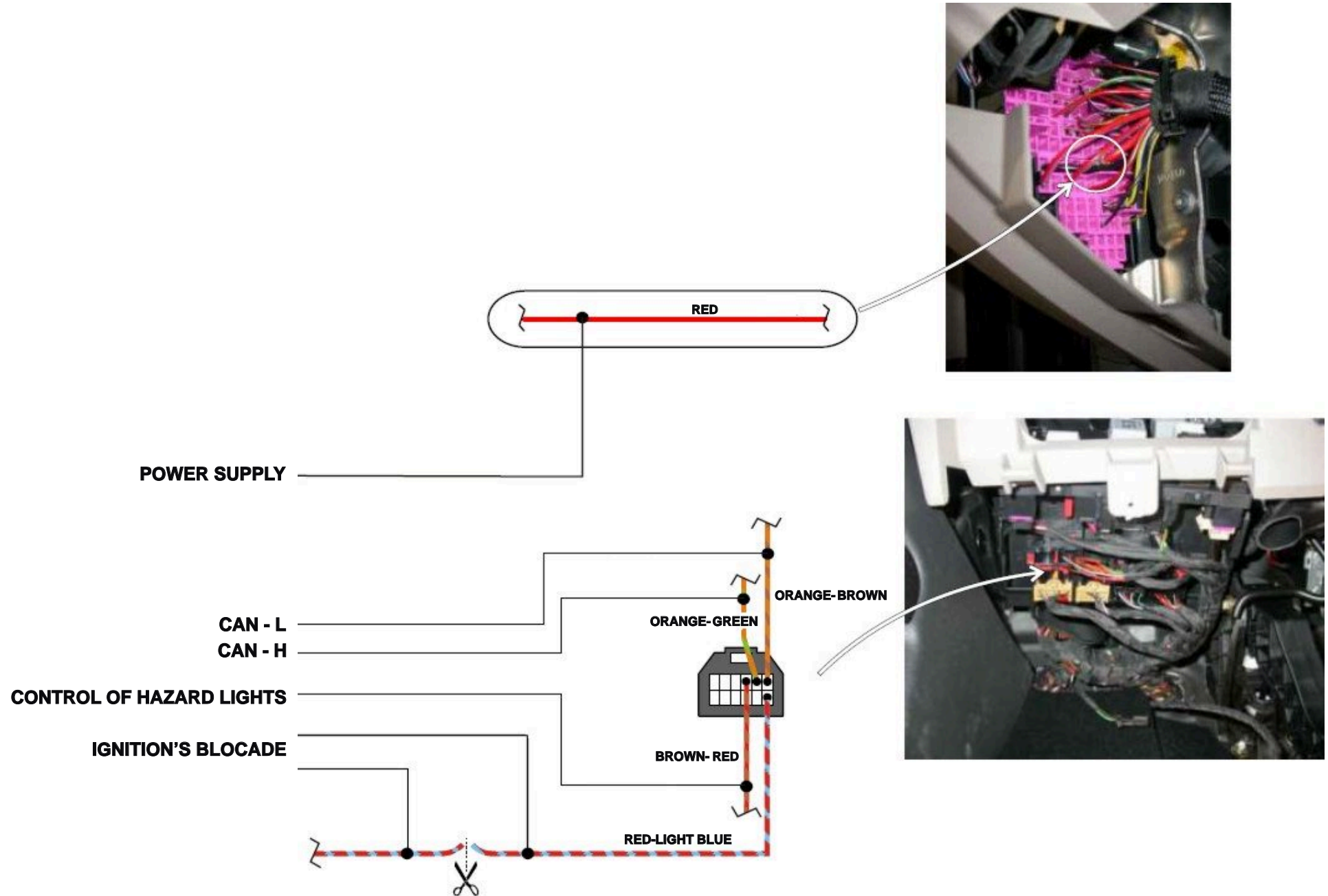


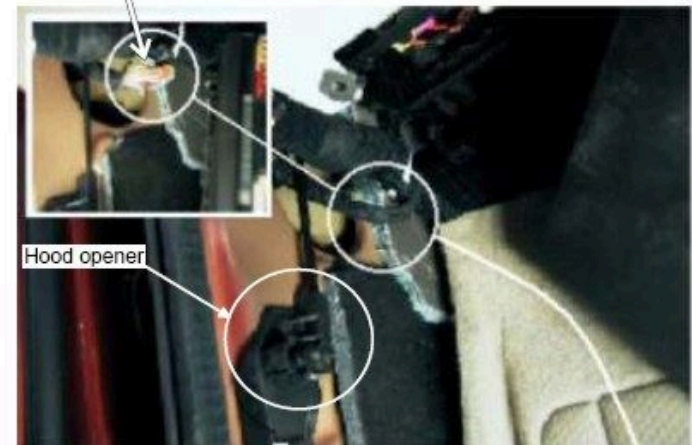
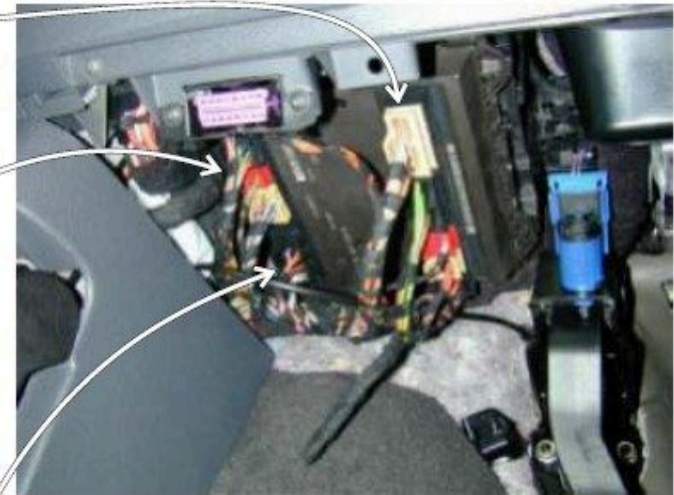
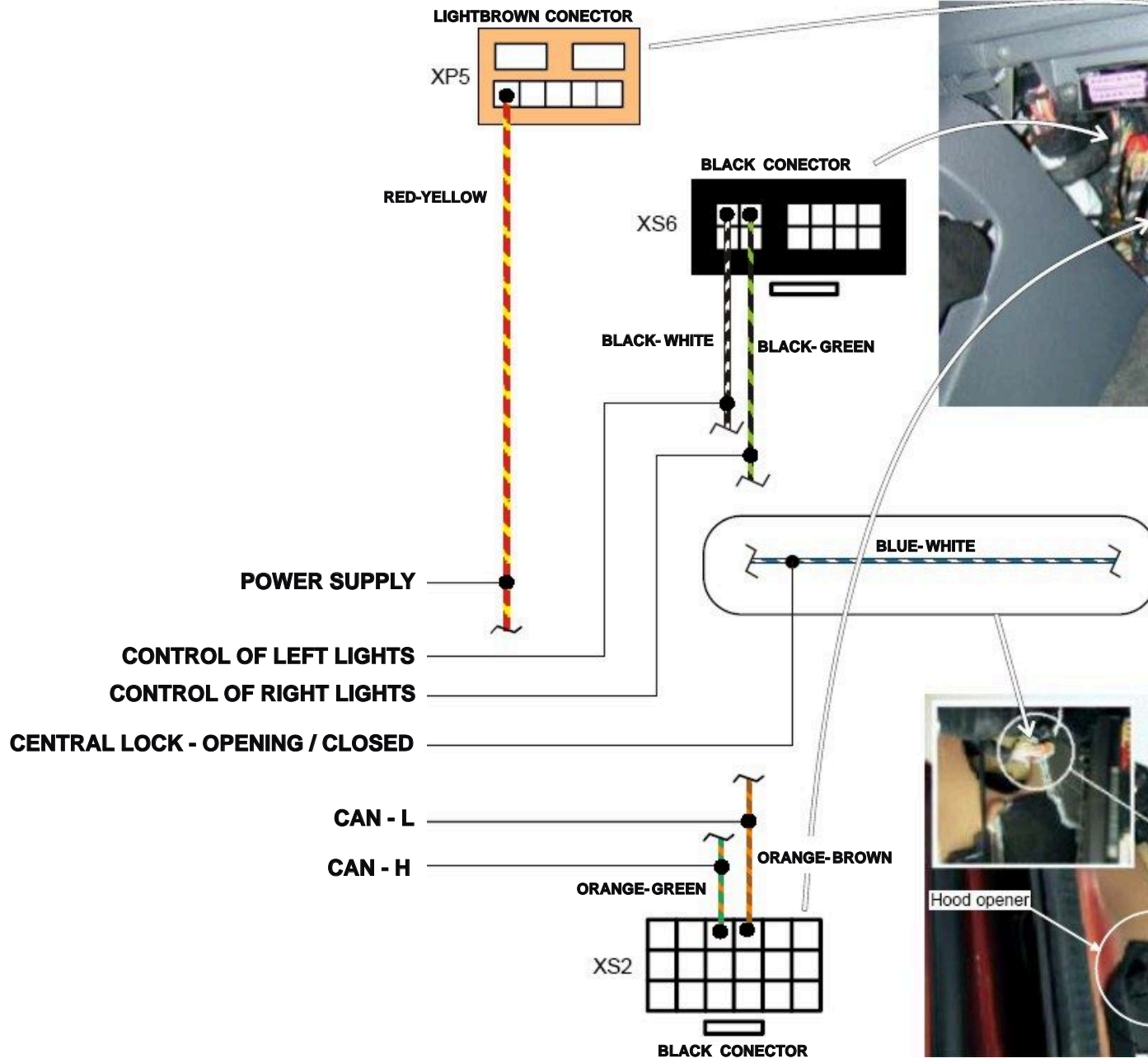


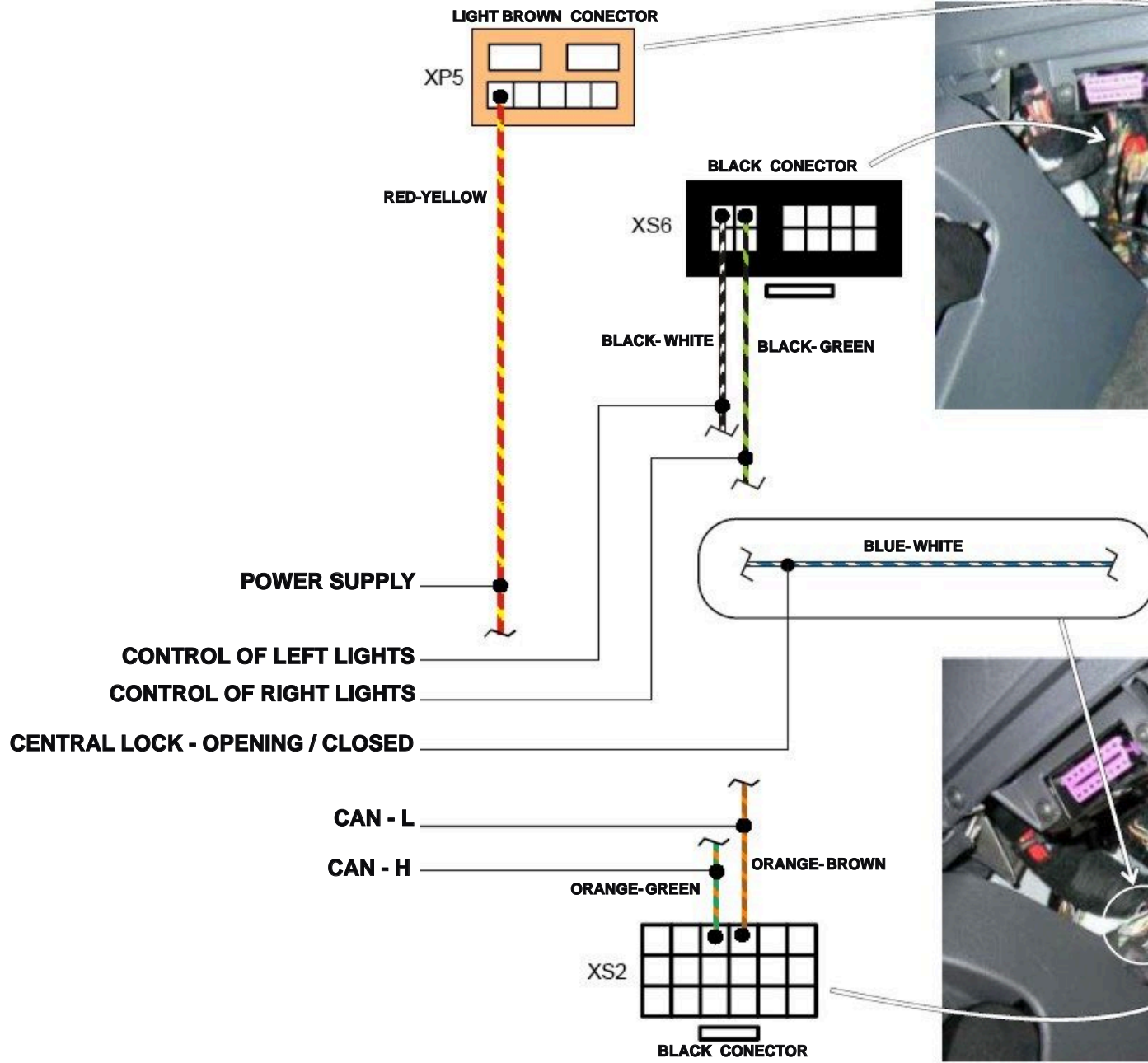


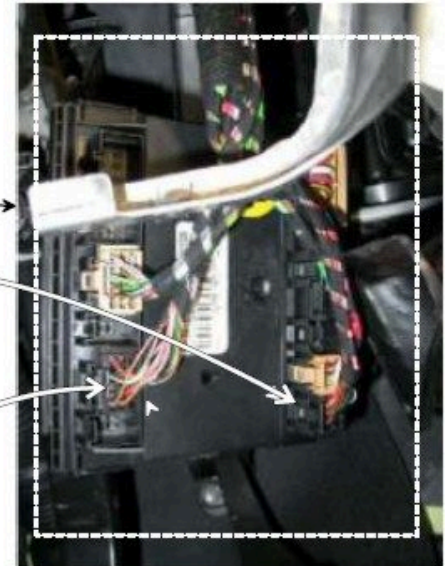












CONTROL OF LEFT LIGHTS }
CONTROL OF RIGHT LIGHTS }
CAN - L
CAN - H

CENTRAL LOCK - OPENING
CENTRAL LOCK - CLOSED
POWER SUPPLY

