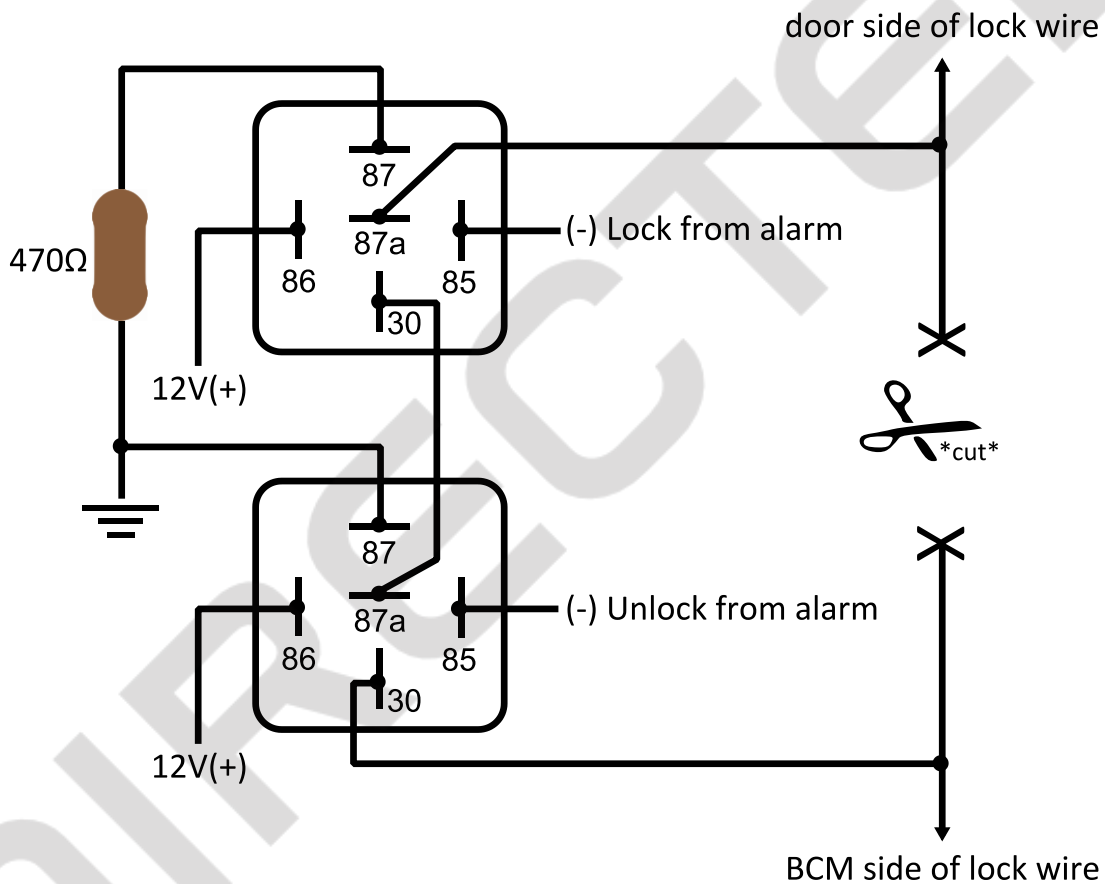


## Series-multiplexed door locks

Some vehicles including the 2012+ Fiat 500 that use multiplexed door locks have a rest resistance on the switch that needs to be isolated during lock/unlock when interfacing and alarm/remote start into the circuit; this can be accomplished by using two relays wired in a N.C. series configuration as shown below for the Fiat 500:



**IMPORTANT!** This wiring information is being provided free of charge on an “as is” basis, without any representation or warranty. It is the dealer’s responsibility to verify any circuit before interfacing with it using a digital multi-meter. Directed assumes no responsibility with regards to the accuracy or currency of this information. Proper installation in every case remains the responsibility of the installer. Directed assumes no liability or responsibility resulting from an improper installation, even in reliance of this information.