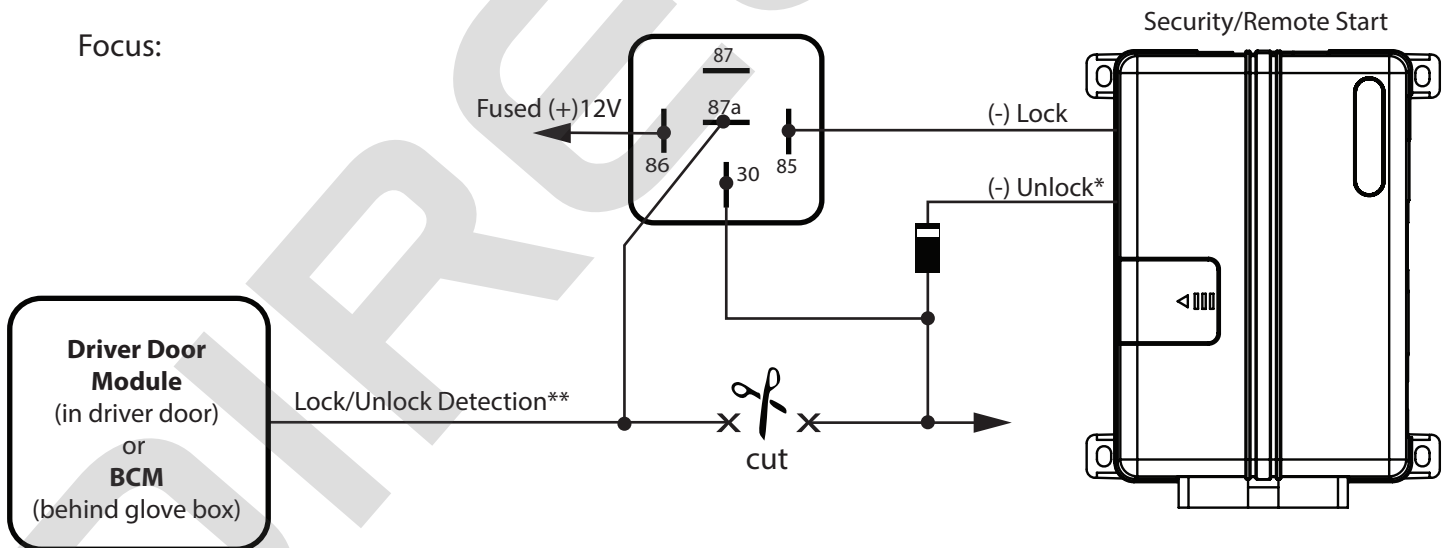
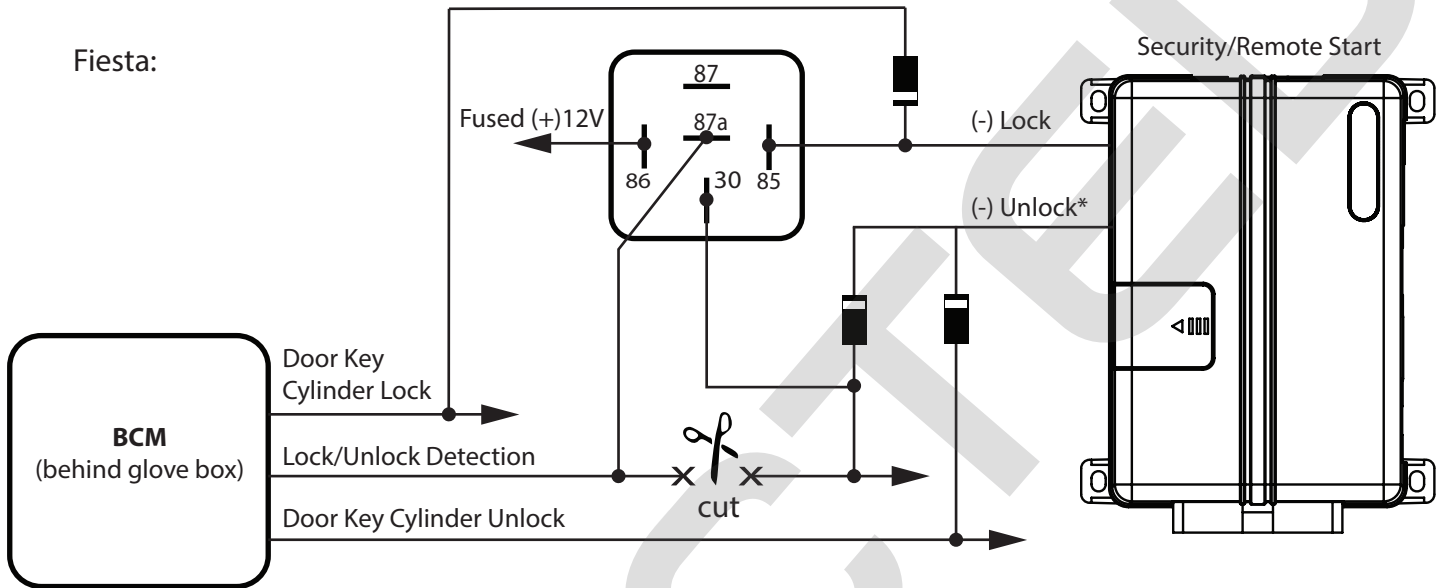


Ford Fiesta / Focus Door Locks

Use the appropriate diagram below to interface into the power lock system on sixth generation (2011+) Ford Fiesta or third generation (2012+) Ford Focus vehicles. **All diodes are rated at 1 Amp.**



*Unlock output must be programmed to double pulse output to unlock ALL doors.

**If the vehicle is equipped with one-touch up/down power windows, the detection wire is at the Driver Door Module inside the driver door; otherwise the wire can be found at the BCM. Refer to www.directechs.com for additional information.

IMPORTANT! This wiring information is being provided free of charge on an "as is" basis, without any representation or warranty. It is the dealer's responsibility to verify any circuit before interfacing with it using a digital multi-meter. Directed assumes no responsibility with regards to the accuracy or currency of this information. Proper installation in every case remains the responsibility of the installer. Directed assumes no liability or responsibility resulting from an improper installation, even in the reliance of this information.