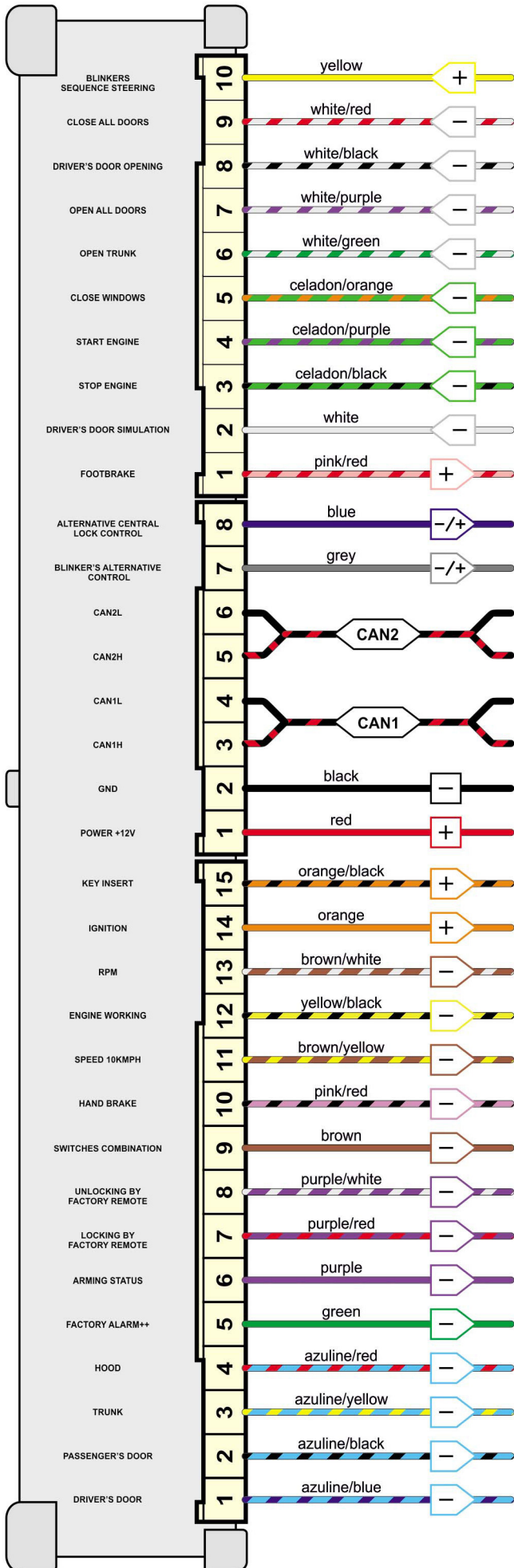


AMPIRE CAC200



Input that controls blinkers - performed by providing constant positive signal.
Input that controls central lock closing - performed by providing ground (after COMFORT function activation you can connect it with windows close output - see pin 5/10).
Input that controls central lock opening - performed by providing ground (opens driver's door only).
Input that controls central lock opening - performed by providing ground (opens all door).
Input that controls trunk opening - performed by providing ground (trunk opening using car's original transmitter will deactivate original factory alarm).
Input with 1.5 sec. delay that controls window closing - performed by providing ground (after COMFORT function has been activated you can connect it with input that closes central lock - look at pin 9/10).
Start engine control input - performed by providing ground (signal for remote start engine module).
Stop engine control input - performed by providing ground (signal for remote start engine module).
Input control used to emulate drivers door opening - performed by providing ground (sending informations to CAN bus about driver's door opening, pin 1/15 status does not change).
Output of footbrake status - gives positive constant signal when footbrake is pressed and ignition is turned on (information for remote start engine module).
Alternative central lock control - please connect with car's central locking module (see certain car's connection diagram).
Blinker's alternative control - connect to car's emergency turn light switch (see certain car's connection diagram).
CAN2-L Connect to second 2-wire CAN bus, CAN-L (see certain car's connection diagram).
CAN2-H Connect to second 2-wire CAN bus, CAN-H (see certain car's connection diagram).
CAN1-L Connect to first 2-wire CAN bus, CAN-L (do not connect to 1-wire bus) (see certain car's connection diagram).
CAN1-H Connect to first 2-wire CAN bus, CAN-H (see certain car's connection diagram).
GROUND (power)
PWR +12V (power)
Key inserted - positive signal appears when key is inserted in ignition lock (output „ACC“)
Ignition - positive signal appears when ignition is turned on (signal do not disappear when engine is starting)
Engine speed - output; sends RPM pulses info when engine is working (signal for remote start engine module).
Engine status - appears ground when when ignition is on and engine not running; ground disappears when engine is starting or running (signal for remote start engine module).
Speed control - ground appears when car exceeds speed of 10 km/h, return to initial state when ignition is off (signal for remote start engine module).
Parking (Automatic Transmission) or Handbrake (Manual Transmission) - ground appears when ignition is turned on and Parking or Handbrake is switched on (signal for remote start engine module).
Immobiliser - ground appears when programmed sequence of buttons was pressed in car (signal for alarm systems). Module may work like independent immobiliser, please see schematics diagrams and car list for details.
Factory remote unlock - low level 500 ms impulse appears when car is opened with original remote (signal for central locking system).
Factory remote lock - low level 500 ms impulse appears when car is closed with original remote (signal for central locking system).
Arming status - appears ground when car is closed from factory's remote (signal for GSM / GPS notification systems).
Factory alarm ++ - gives ground when factory alarm/siren is activated (signal associated with factory alarm sensors).
Door sensor (appears ground when hood is open).
Door sensor (appears ground when trunk is open).
Door sensor (appears ground when passenger's door is open).
Door sensor (appears ground when driver's door is open).